

# 3-1/2 GALLON PARTS WASHER

## OPERATING INSTRUCTIONS AND PARTS MANUAL

MODEL: PW3-1/2G



### Please read and save these instructions.

Read through this owner's manual carefully before using product. Protect yourself and others by observing all safety information, warnings, and cautions. Failure to comply with instructions could result in personal injury and/or damage to product or property. Please retain instructions for future reference.

# TABLE OF CONTENTS

---

TABLE OF CONTENTS .....	2
PRODUCT SPECIFICATION .....	3
SAFETY INFORMATION .....	2
INSTALLATION STEPS .....	4
OPERATION .....	4
MAINTENANCE .....	5
TROUBLESHOOTING FOR VACUUM STYLE .....	5
PARTS DIAGRAM .....	6

## GUARANTEE

This product is guaranteed against faulty manufacture for a period of 12 months from the date of purchase. Please keep your receipt as proof of purchase. This guarantee is invalid if the product is found to have been abused or tampered with in any way, or not used for its intended purpose.

Faulty goods should be returned to their place of purchase, no product can be returned to us without prior permission.

This guarantee does not effect your statutory rights.

## SAFETY PRECAUTIONS

---



**AS WITH ALL MACHINERY, THERE ARE CERTAIN HAZARDS INVOLVED WITH THEIR OPERATION AND USE. EXERCISING RESPECT AND CAUTION WILL CONSIDERABLY LESSEN THE RISK OF PERSONAL INJURY.**

**HOWEVER, IF NORMAL SAFETY PRECAUTIONS ARE OVERLOOKED OR IGNORED, PERSONAL INJURY TO THE OPERATOR OR DAMAGE TO PROPERTY, MAY RESULT.**

- 1.** ALWAYS Learn the machine's applications, limitations, and the specific potential hazards peculiar to it. Read and become familiar with the entire operating manual.
- 2.** ALWAYS wear suitable protective clothing, gloves and goggles, manufactured to the latest European Safety Standards. Everyday eye glasses are not safety glasses.
- 3.** ALWAYS clean off any accidental splashes of degreaser on the skin, seek medical attention immediately if necessary.
- 4.** ALWAYS follow degreaser manufacturer's instructions carefully.
- 5.** ALWAYS check for damage. Before using the washer, any damaged part, should be checked to ensure that it will operate properly, and perform its intended function. Any damage should be properly repaired or the part replaced. If in doubt, DO NOT use the machine. Consult your local dealer.
- 6.** ALWAYS disconnect the washer from the power supply before carrying out any maintenance or cleaning of the parts washer.
- 7.** ALWAYS keep work area clean. Cluttered areas and benches invite accidents, mop up accidental spillages of degreaser immediately.

# SAFETY PRECAUTIONS

---

8. ALWAYS ensure that adequate lighting is available. A minimum intensity of 300 lux should be provided. Ensure that lighting is placed so that you will not be working in your own shadow.
9. ALWAYS keep children away. All visitors should be kept a safe distance from the work area, especially whilst operating the machine.
10. ALWAYS maintain machine in top condition. Keep washer clean for the best and safest performance. Follow maintenance instructions.
11. ALWAYS ensure the switch is off before plugging in to mains. Avoid accidental starting.
12. ALWAYS concentrate on the job in hand, no matter how trivial it may seem. Be aware that accidents are caused by carelessness due to familiarity.
13. ALWAYS keep your proper footing and balance at all times don't over reach. For best footing, wear rubber soled footwear. keep floor clear.


# INCLUDES

---

- (1) 3.5 Gallon capacity tub (1.5 gallon actual operating capacity)**
- (1) Parts tray**
- (1) Flexible, positionable metal "Gooseneck" fluid outlet tube with nozzle**
- (1) flow-thru parts brush with tube**

# SPECIFICATIONS

---

Item Name	PW3-1/2G
• 120 Volt AC, 60hz current requirement	
• Maximum pump capacity @ outlet: 1 gallon per minute	
• 3.5 gallon tub capacity, 1.5 gallon operating capacity	

## ASSEMBLY

- Thread the Flexible Metal “Gooseneck” Fluid Outlet Tube onto the Pump Outlet Fitting (Fig A).

- Place the Parts Cleaning Tray over the ledges on the walls of the tub. Make sure the Nozzle of the Flexible Metal “Gooseneck” Fluid Outlet Tube is shaped to be facing in and downward toward the center of the Tub (Fig B).

- Fill unit with suitable, water-based degreasing solution sufficiently to cover the entire Pump (approx. 1.5 gallons) (Fig C).

### Important Notes:

- Follow degreasing solution mixing, usage and safety label instructions carefully before using.

- Be sure the cleaning solution level fully covers the Pump or it will not function properly.

- Plug power cord into an approved, grounded and GFI equipped 120 Volt AC, 60hz. outlet.

- Turn Power Switch to the “On” position. The Parts Washer is now ready for use.

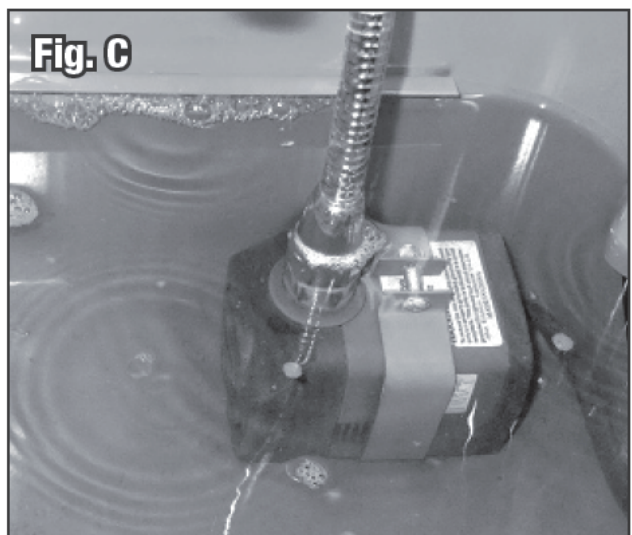
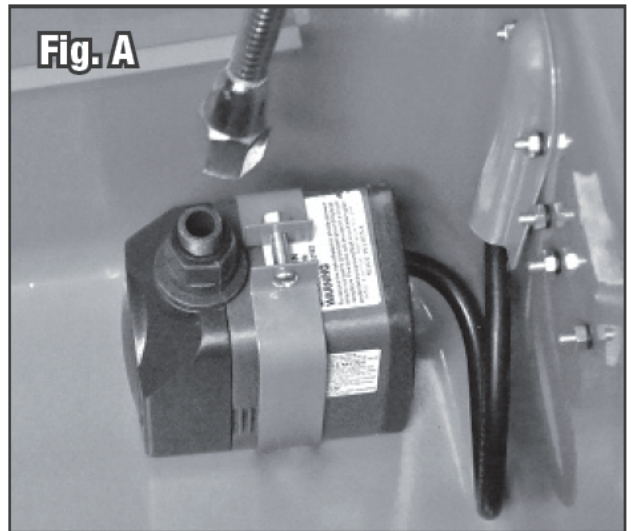
## OPERATION

- Place parts to be cleaned on the Parts Tray.

- Allow cleaning solution to flow completely over the part surface, wetting it completely. Allow time for solution to soften any grease and debris then use a suitable parts cleaning brush to remove stubborn deposits.

- Let excess solution drain from parts then remove from washer and rinse in warm water.

- When done, turn pump to the off position, close lid and unplug unit.



## MAINTENANCE

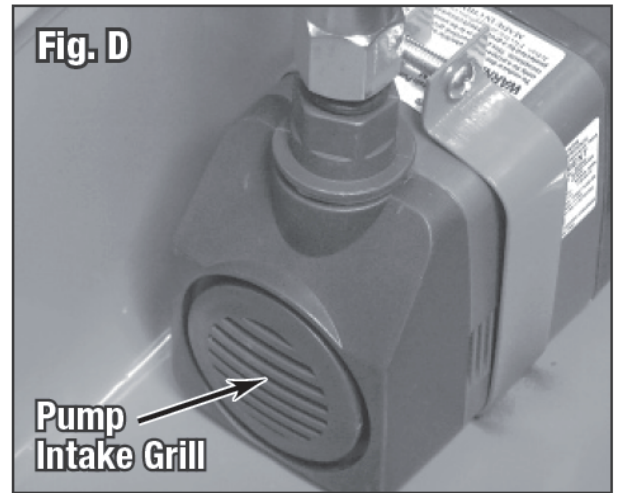
---

- Unplug unit and inspect the pump intake grill after every hour of cleaning (Fig D). Clean more often if removing excessively heavy deposits of grease and grit. **Important Note:**

Failure to clean pump intake will result in diminished fluid flow, cleaning effectiveness and eventual pump motor failure.

- If it becomes apparent that the pump intake grill requires cleaning more often, it is likely that the cleaning solution needs to be replaced and an accumulation of sediment from the Tub bottom needs to be removed.

- Drain and pour drain cleaning solution into suitable containers and dispose of properly.

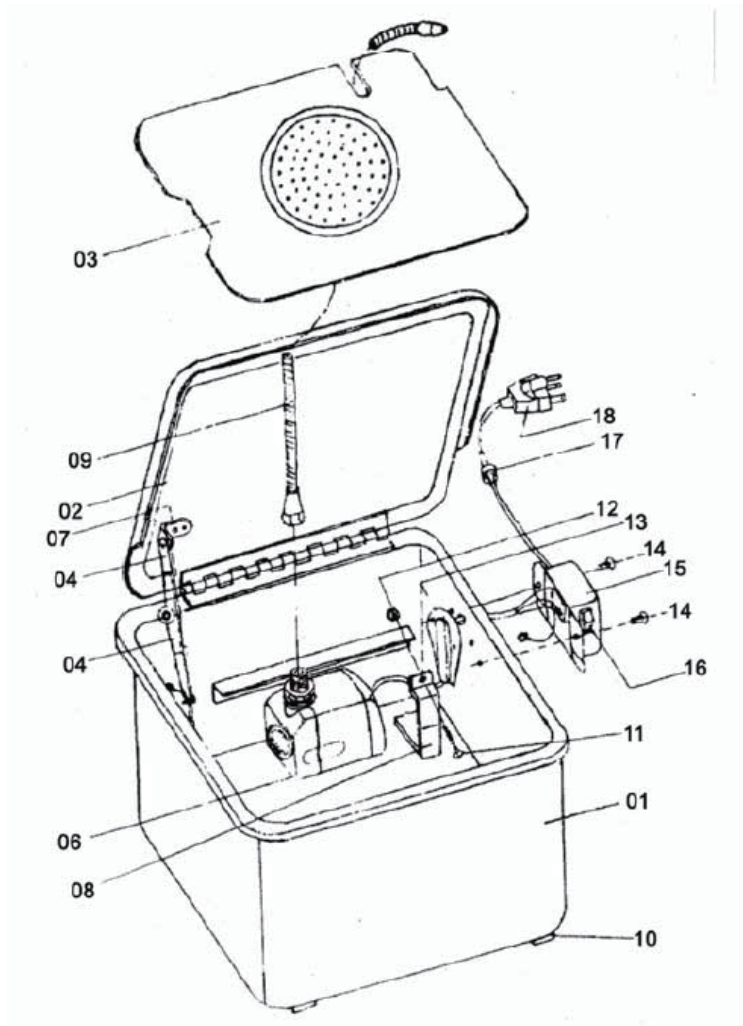


## TROUBLESHOOTING

---

- If Fluid stops flowing or flows sporadically, the Pump may not be fully submerged. The Pump must be fully under the fluid surface level to work properly (Fig C).
- If pump intake cleaning does not restore pump performance, an accumulation of dirt and grit may be present in the Flexible Metal “Gooseneck” Fluid Outlet Tube.
  - Unplug unit and remove Flexible Metal “Gooseneck” Fluid Outlet Tube and check for obstructions lodged in tube and remove.

# PARTS DIAGRAM



## PARTS LIST

N.O.	DESCRIPTION	N.O.	DESCRIPTION
1	Tank	10	Plastic Foot
2	Lid	11	M5x30 Screw
3	Heavy-Duty Removable	12	M5 Nut
4	Work Shelf	13	Cover
5	Fusible Linked Lid Arm	14	M4x12 Screw
6	Pump	15	Switch Box
7	Rivet	16	Switch
8	Pump Holder	17	Strain Relief
9	Flexible Metal Spigot	18	Power cord