

## Maintenance:

- 1.The machine body is made from aluminum alloy, keep it clean in case of erosion.
- 2.Please lubricate the abscissa axis(14)、segment gear(13)and the rack(11).
- 3.Please unpick and clean the machine before leave it unused for a long time.

**For Manual Filling Machine- A03**

# USER MANUAL

## THE MAIN PRODUCTS

**Filling machine  
Packing machine  
And other mechanical equipment**

**Sealing machine  
Coding machine**

**We also customize all kinds of packaging machinery according to customer needs**



## A03 Product Introductions:

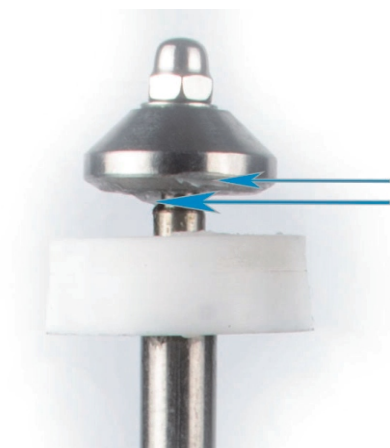
This A03 manual filling machine is specially designed for small and medium enterprises.

The machine has simple and reasonable structure, convenient manual operation, without any energy.



## Please Note Before Use:

1. To protect the piston, when machine leave the factory, we will apply a layer of oil ( white oil ) to the piston. When the machine is in working condition, there is no need for lubricating oil, because the liquid or paste itself will lubricate it. Of course, if the machine is not in use for a long time, we also recommend that you apply lubricating oil to the piston to protect the machine.



2. So we recommend that you wash the oil off with water before using it.

## How to clean the machine?

- When the machine leaves the factory.
- The piston is lubricated to protect the machine.
- We recommend that you clean the machine before using it.

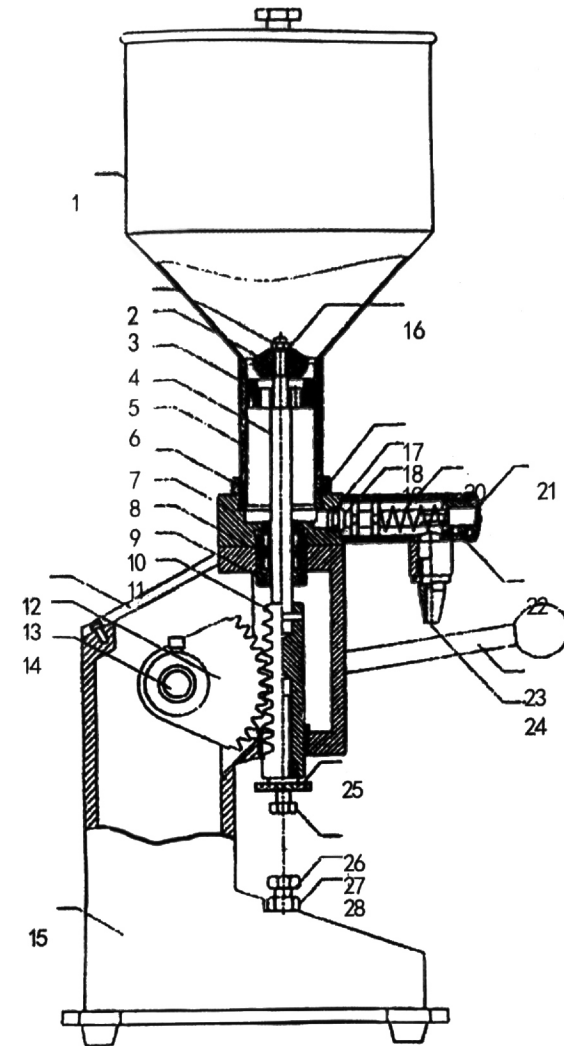


### A03 Product Feature:

- Can only be used for liquid paste with good liquidity.
- It is suitable for medicine, daily chemical, food, pesticide and other industries.
- Can fill beverage, fluid food, lubricating oil, shampoo and other liquid paste material(Without Particulate).
- All parts in contact with the filling object are made of stainless steel and Polytetrafluoroethylene.
- The maximum capacity of the hopper is 10 kg, Filling capacity can be set freely.
- The machine is extremely accurate (+/- 1%) and simple to operate.
- It has anti-drip function.

### A03 Product Specifications:

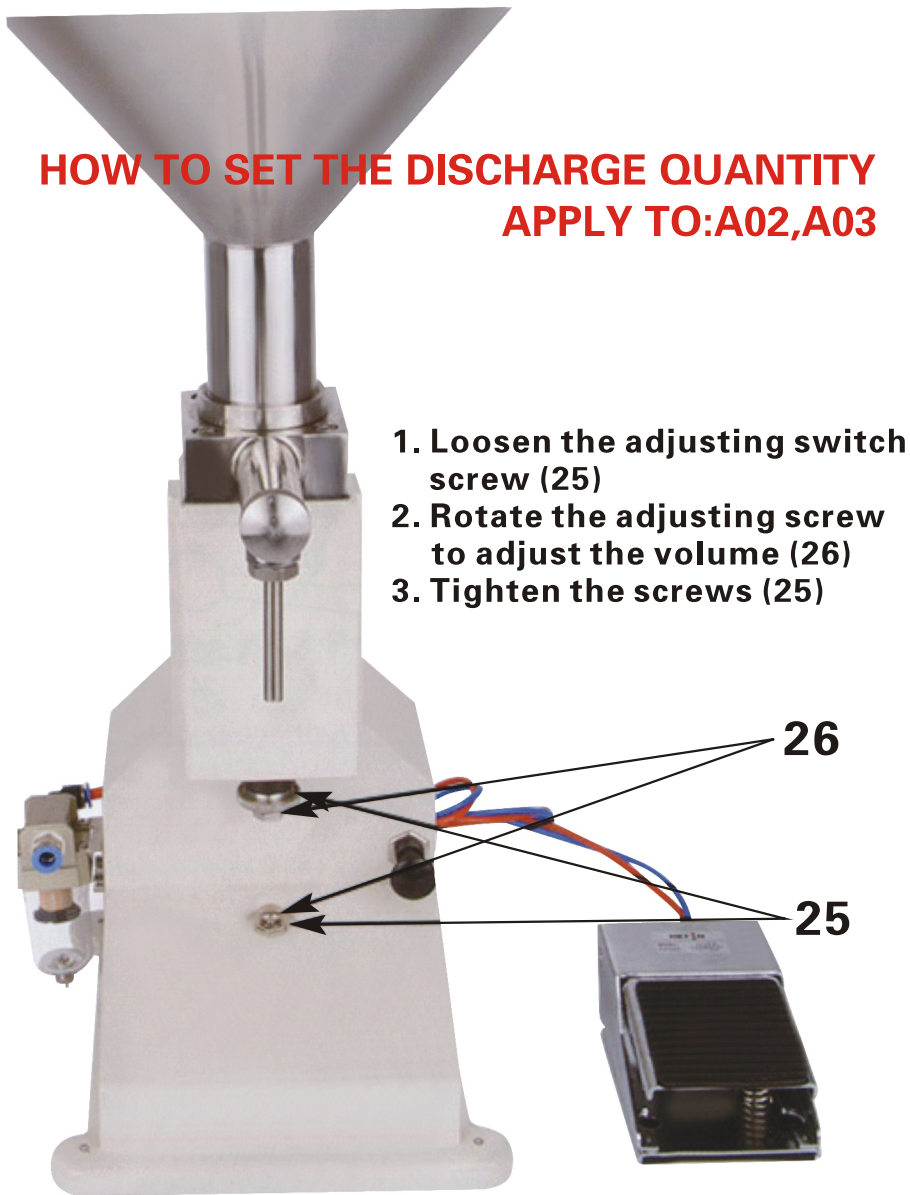
- Filling Range: 5-50ml
- Hopper Capacity: 10kg
- Accuracy:  $\pm 1\%$
- Filling Material: cream & shampoo, Cosmetic etc
- Machine size: 710mm\*280mm\*230mm
- Machine weight:9.2kg



### A03 Internal Structure:

1. Hopper
2. screw cap
3. Cone cover
4. piston ring
5. piston rod
6. measure jar
7. fastener
8. jar base
9. seal ring
10. seal receptacle
11. rack
12. upper cover plate
13. sector gear
14. abscissa axis
15. machine body
16. 17. 18. O ring
19. valve core
20. spring
21. outlet screw
22. O ring
23. handle
24. nozzle
25. upper locking nut
26. upper measure nut
27. down measure nut
28. Down locking nut

## HOW TO SET THE DISCHARGE QUANTITY APPLY TO:A02,A03



## How to Adjust the Discharge Quantity:

Set the filling capacity according to the demand.  
(Refer to the Sumeve A03 internal structure diagram)

1. First lift the handle (23),
2. loosen the adjusting cap (25 and 27),
3. rotate the adjusting screw (26) to adjust the discharge quantity.
4. After adjusting to the required capacity, tighten the adjusting cap (25 and 27)

## Common Problems and Solutions:

(Refer to the Sumeve A03 internal structure diagram)

1. The discharge quantity is not accurate:
  - 1) Debris between cone cover (3) and piston (4) sticks to the sealing ring, causing material backflow and affecting accuracy  
Open and clean
  - 2) Piston ring (4) overwears, loses tension and friction  
Replace piston rings
  - 3) Paste product viscosity is too large, poor liquidity  
Slow down the lifting motion of the handle (23)
  - 4) Cap is loose (25.28)  
Screw up
2. The discharge nozzle is leaking:
  - 1) The o-ring of the valve core is damaged  
Replace the o-ring (16.17.18)
  - 2) There are sundries sticking to the o-ring(16.17.18), which causes excessive suction of the material and damages the surface tension of the nozzle.  
Unpick and wash
3. After filling, the material is mixed with air bubbles"
  - 1) Too fast filling speed  
Reduce filling speed
  - 2) Failure of sealing ring inside sealing seat (9)  
Replace
4. 12\*3 sealing rings shall be used for filling liquid
5. 1 4\*3 sealing rings shall be used for filling paste