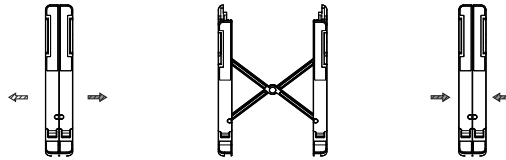


DOWELL

Portable Laptop(Nylon) Stand Riser Manual Model:DWD107

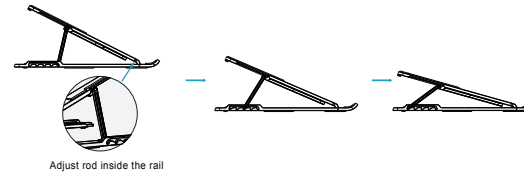
1、HOW TO USE

Pull or push two side of rail of laptop stand to open or close it.
Note not to jam your fingers in the joints while in use.



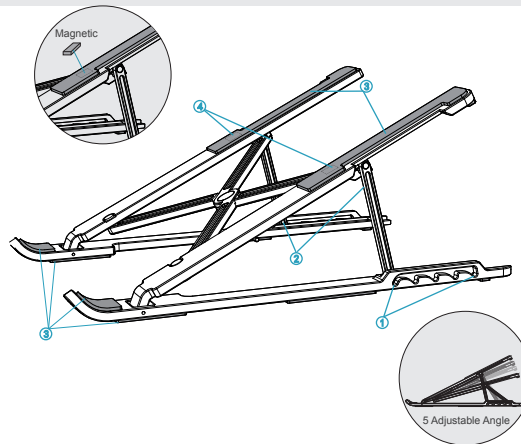
2、ANGLE ADJUSTMENT

Please pull the rod from two side rail and place adjust rod to required positioning hole according to required viewing angle.



3、CONSTRUCTION DIAGRAM

- 1.5 level of angle positioning holes from 16-26 degree
- 2.Place rod to required positioning hole according to required viewing angle.
- 3.Silicon pad design to protect laptop not to be slide or scratched during operation.
- 4.Adapted with micro magnetic to close the laptop firmly without moving.



4、APPLICATION

Support up to 15.6" laptop, tablet or work as book stand



5、PACKAGE

- Laptop stand x 1
- Manual x 1
- Carry bag x 1

⚠ Caution: This product contains long and sharp parts.
Keep this stand away from children.