

名称：笔记本支架X4说明书

材质：亮 P.150g

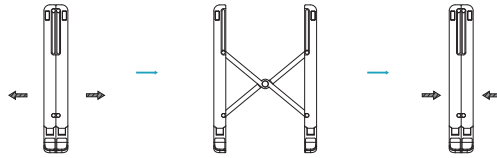
尺寸：165mmx170mm ( 正反印刷 )

**DOWELL**

## Portable Laptop(Aluminium) Stand Riser Manual Model:DWD108

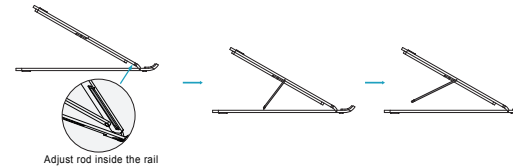
### 1、HOW TO USE

Pull or push two side of rail of laptop stand to open or close it.  
Note not to jam your fingers in the joints while in use.



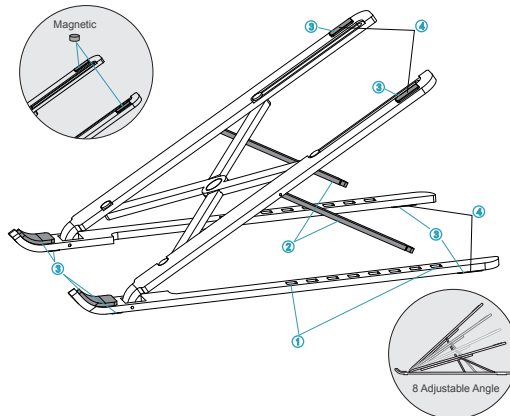
### 2、ANGLE ADJUSTMENT

Please pull the rod from two side rail and place adjust rod to required positioning hole according to required viewing angle.



### 3、CONSTRUCTION DIAGRAM

- 1.8 level of angle positioning holes from 17-48 degree.
- 2.Place rod to required positioning hole according to required viewing angle.
- 3.Silicon pad design to protect laptop not to be slide or scratched during operation.
- 4.Adapted with micro magnetic to close the laptop firmly without moving.



### 4、APPLICATION

Support up to 15.6" laptop, tablet or work as book stand



### 5、PACKAGE

Laptop stand x 1  
Manual x 1  
Carry bag x 1

- ⚠ Caution: This product contains long and sharp parts.  
Keep this stand away from children.