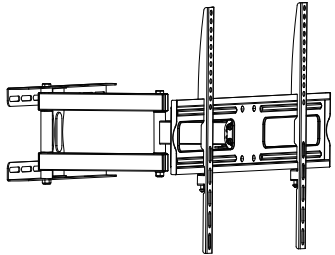


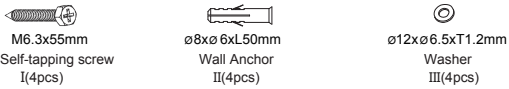
# DOWELL Full-Motion TV Wall Mount Installation Instruction



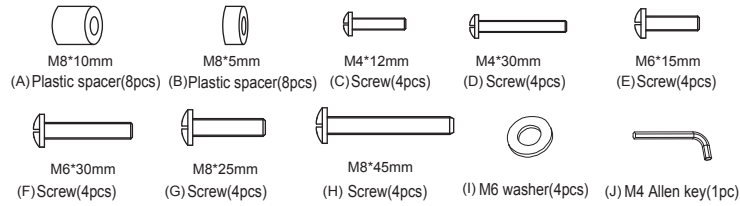
Triangle bubble level x1  
Velcro cable ties x3

Model: DWD1279  
Fit For Screen Size: 32"-55"  
Max Loading Weight: 45kg(99lbs)  
Distance To Wall: 70-420mm  
VESA: 100x100/200x100/200x200/300x200/  
300x300/400x200/400x300/400x400mm

## Wall plate installation accessories



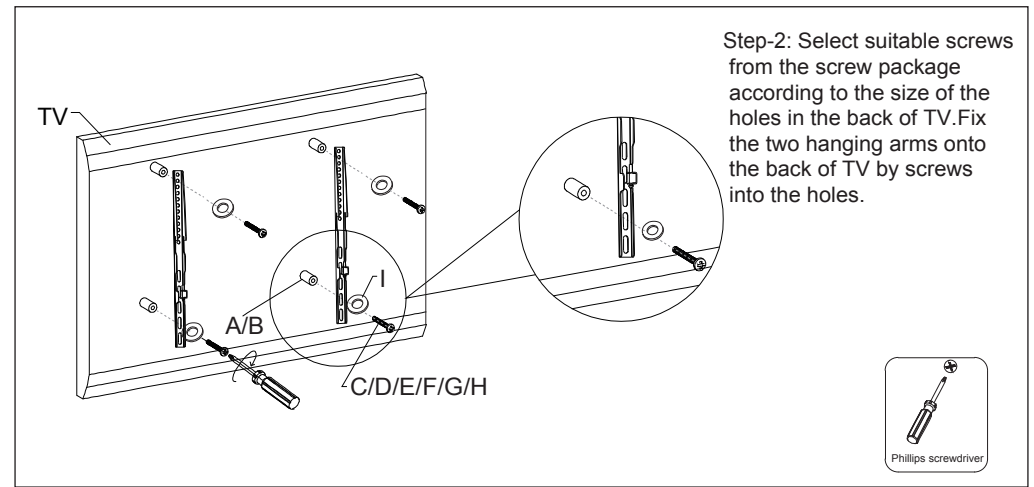
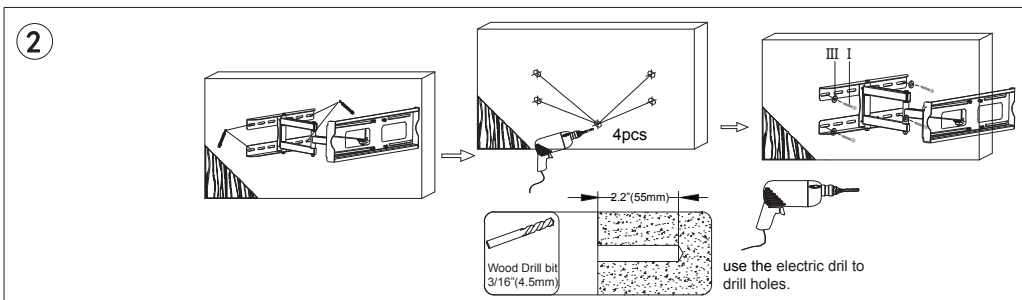
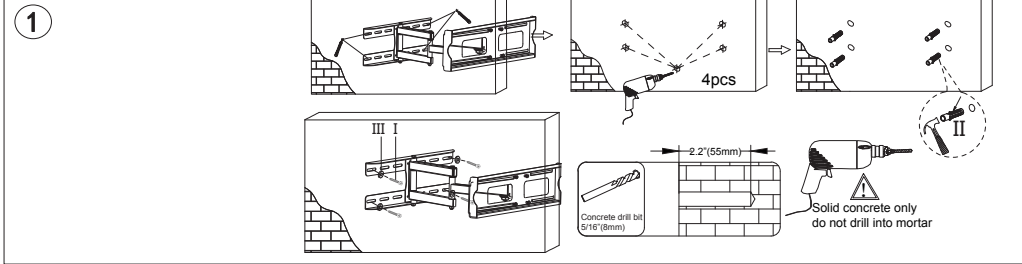
## TV installation accessories



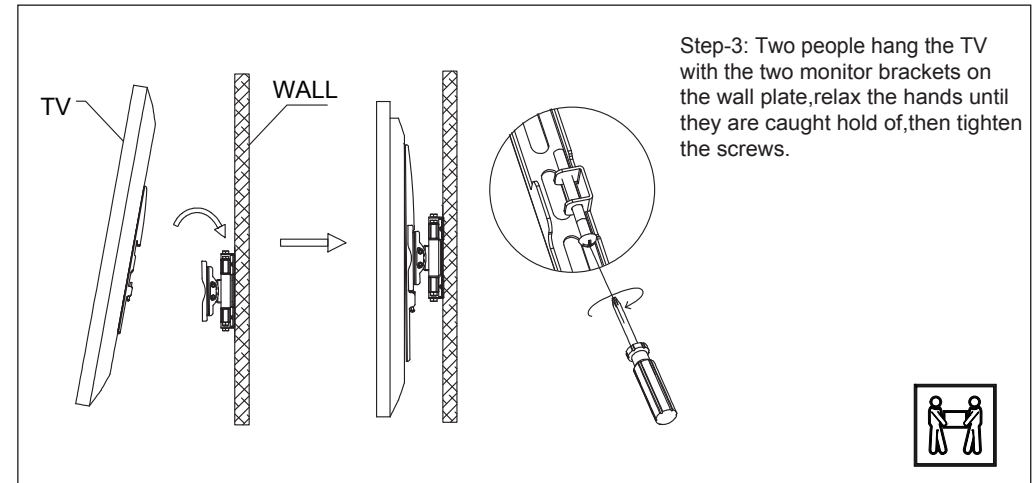
## Tools Needed



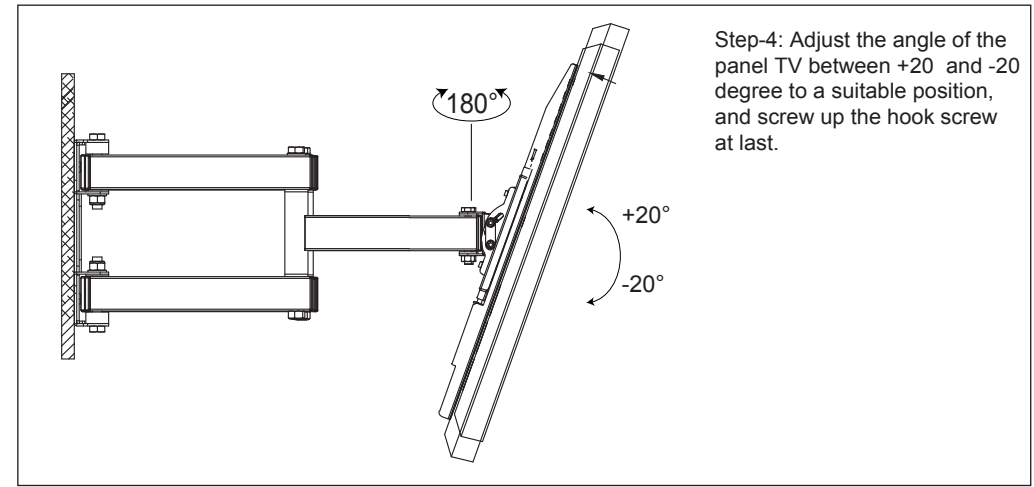
### Step-1: Install the wall plate.



Step-2: Select suitable screws from the screw package according to the size of the holes in the back of TV. Fix the two hanging arms onto the back of TV by screws into the holes.



Step-3: Two people hang the TV with the two monitor brackets on the wall plate, relax the hands until they are caught hold of, then tighten the screws.



Step-4: Adjust the angle of the panel TV between +20 and -20 degree to a suitable position, and screw up the hook screw at last.