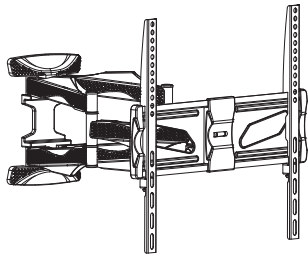


DOWELL Full-Motion TV Wall Mount Installation Instruction



Model: DWD1290

Fit For Screen Size: 32"-55"

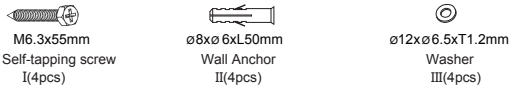
Max Loading Weight: 40kg(88lbs)

Distance To Wall: 57-470mm

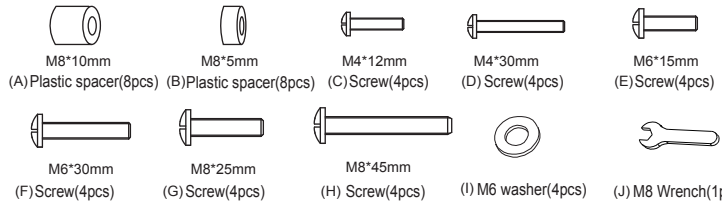
VESA: 100x100/200x100/200x200/300x200/
300x300/400x200/400x300/400x400mm



Wall plate installation accessories



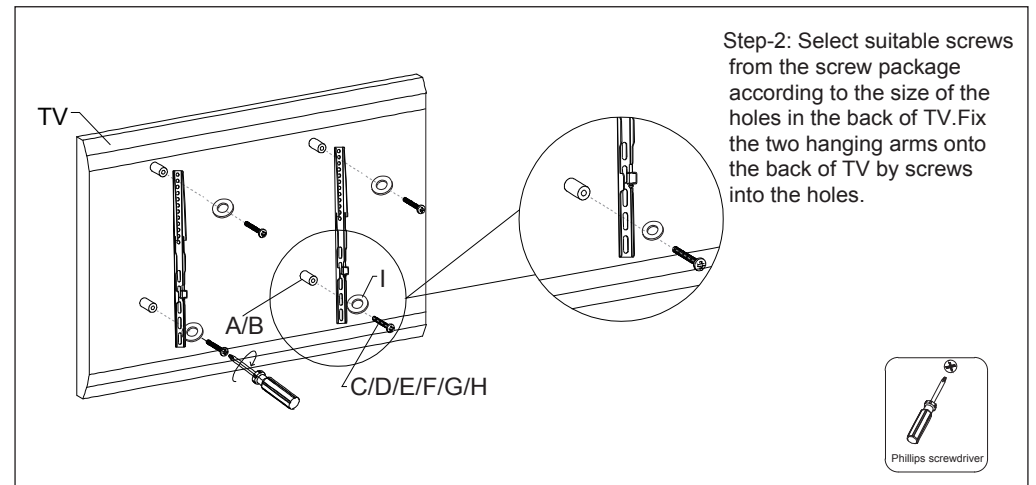
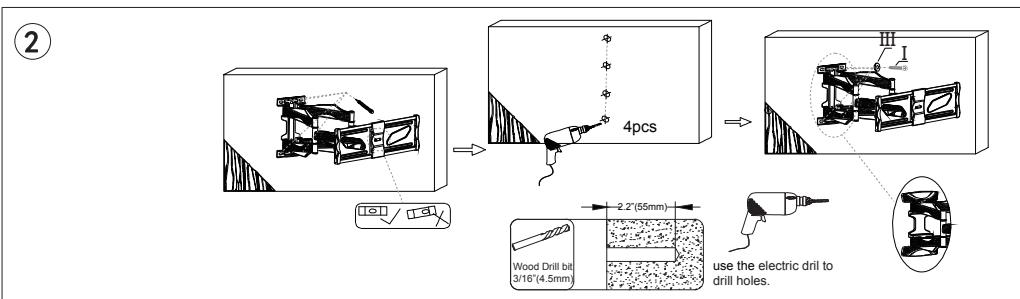
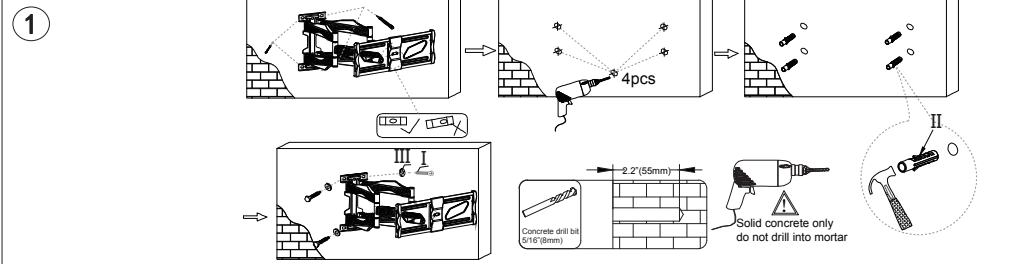
TV installation accessories



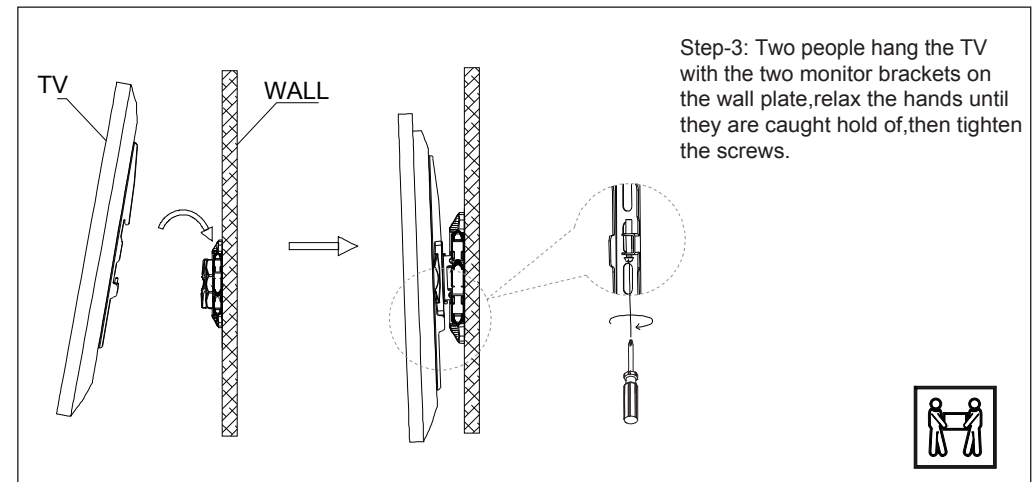
Tools Needed



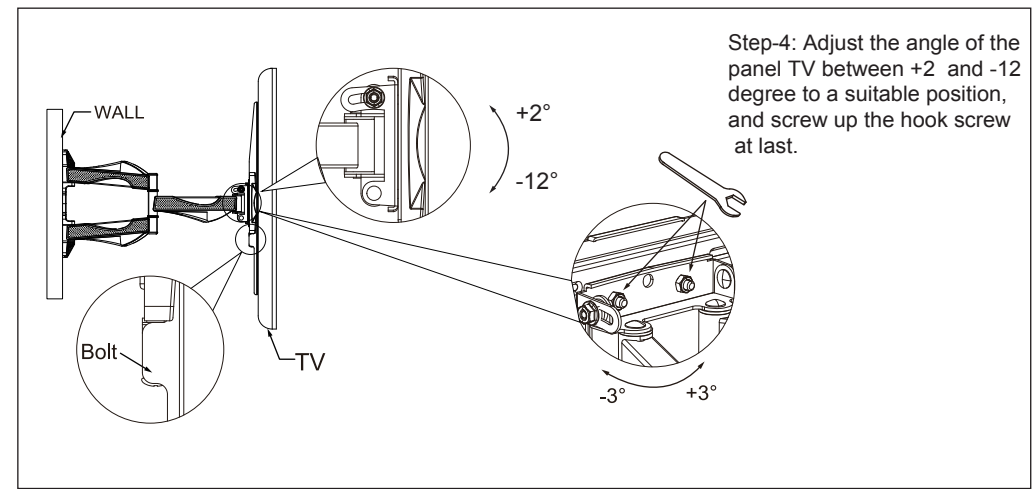
Step-1: Install the wall plate.



Step-2: Select suitable screws from the screw package according to the size of the holes in the back of TV. Fix the two hanging arms onto the back of TV by screws into the holes.



Step-3: Two people hang the TV with the two monitor brackets on the wall plate, relax the hands until they are caught hold of, then tighten the screws.



Step-4: Adjust the angle of the panel TV between +2 and -12 degree to a suitable position, and screw up the hook screw at last.