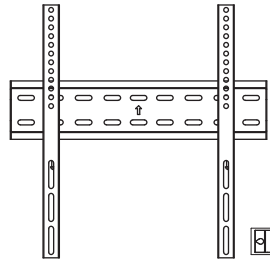


DOWELL Fixed TV Wall Mount Installation Instruction



Triangle bubble level x1
Velcro cable ties x3

Model: DWD973F
Fit For Screen Size: 32"-55"
Max Loading Weight: 50kg(110lbs)
Distance To Wall: 23mm
VESA: 100x100/200x100/200x200/300x200/
300x300/400x200/400x300/400x400mm

Wall plate installation accessories



M6.3x55mm
Self-tapping screw
I(4pcs)



ø8xø6xL50mm
Wall Anchor
II(4pcs)



ø12xø6.5xT1.2mm
Washer
III(4pcs)

TV installation accessories



D5-6-8mm
Square washer
A(4pcs)



M8x10mm
Plastic spacer
B(4pcs)



M4x20mm
Screw
C(4pcs)



M6x20mm
Screw
D(4pcs)



M8x20mm
Screw
E(4pcs)

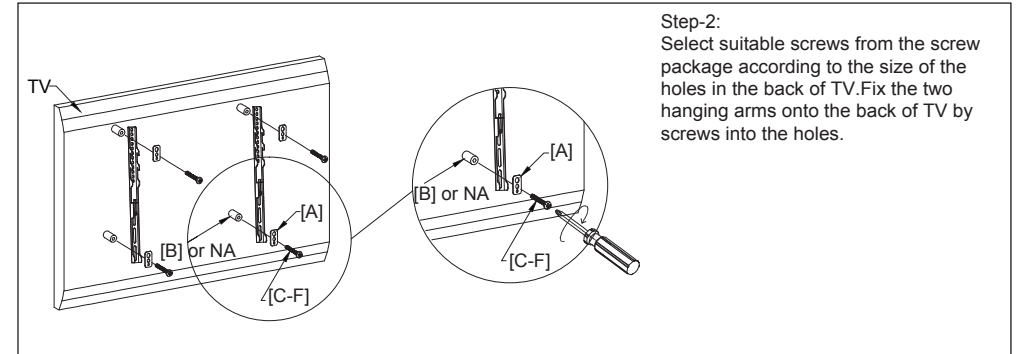
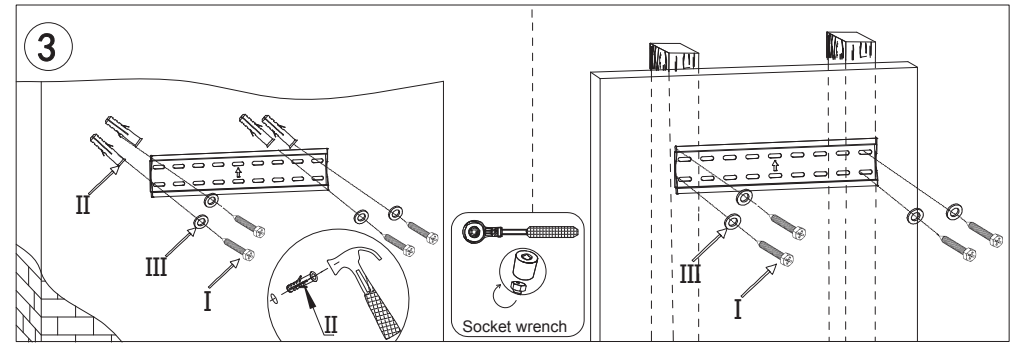
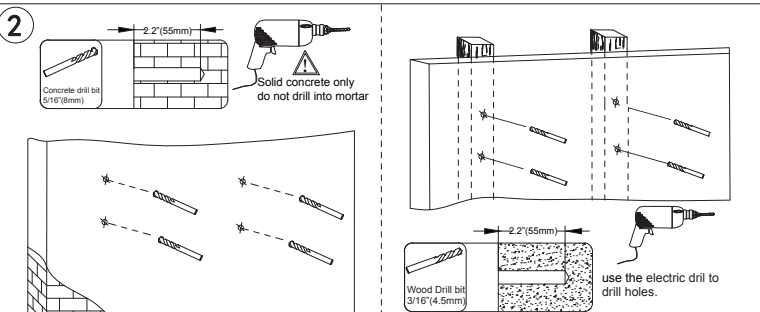
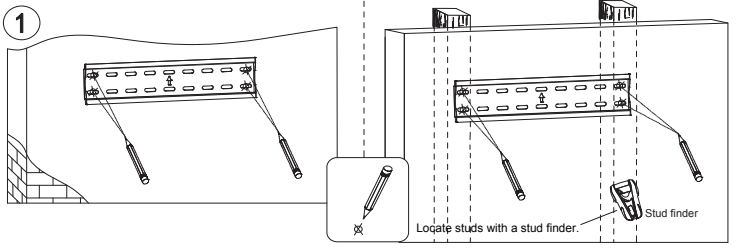


M8x45mm
Screw
F(4pcs)

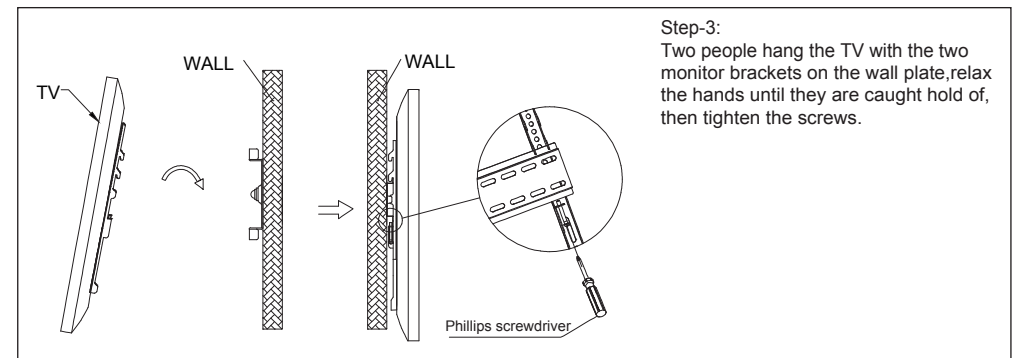
Tools Needed



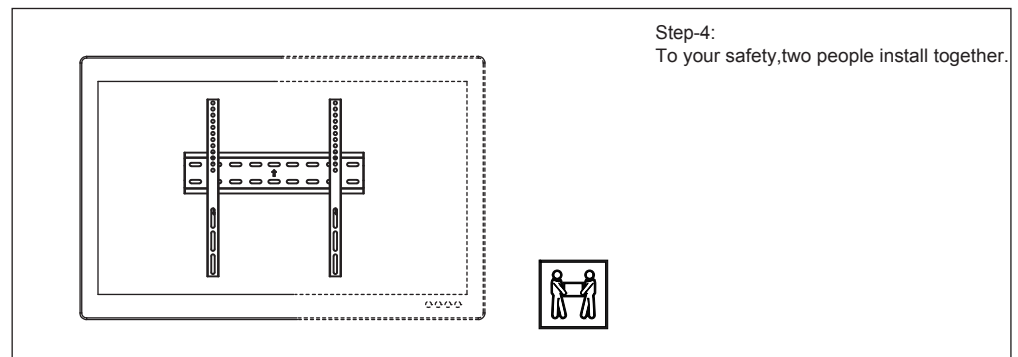
Step-1: Install the wall plate.



Step-2:
Select suitable screws from the screw package according to the size of the holes in the back of TV. Fix the two hanging arms onto the back of TV by screws into the holes.



Step-3:
Two people hang the TV with the two monitor brackets on the wall plate, relax the hands until they are caught hold of, then tighten the screws.



Step-4:
To your safety, two people install together.