

DOWELL Tilting TV Wall Mount Installation Instruction

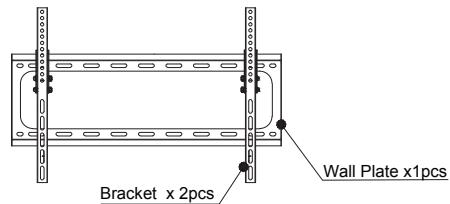
Model: DWD988T

Fit For Screen Size: 37"-70"

Max Loading Weight: 50kg(110lbs)

Distance To Wall: 25mm

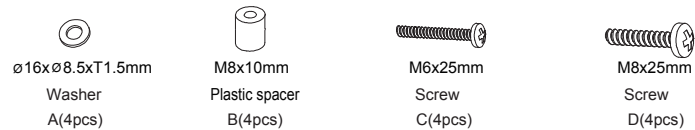
VESA: 100X100/200x100/200x200/300x200/
300x300/400x200/400x300/400x400/
500x200/500x300/500x400/600x200/
600x300/600x400mm



Wall plate installation accessories



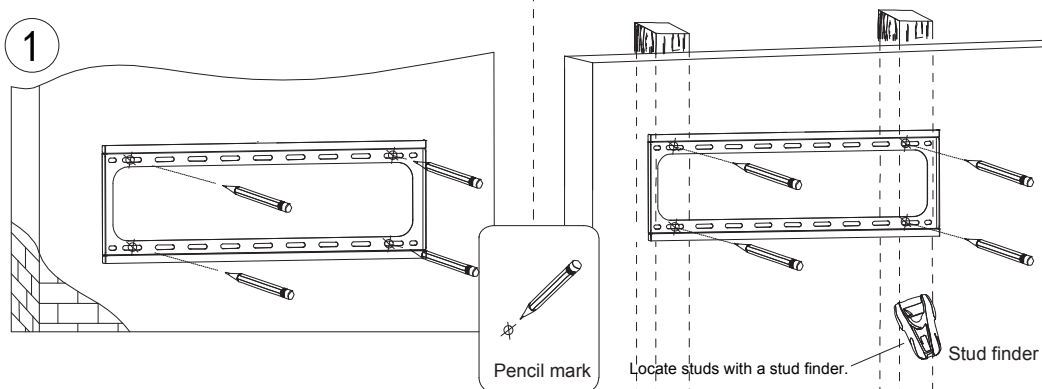
TV installation accessories



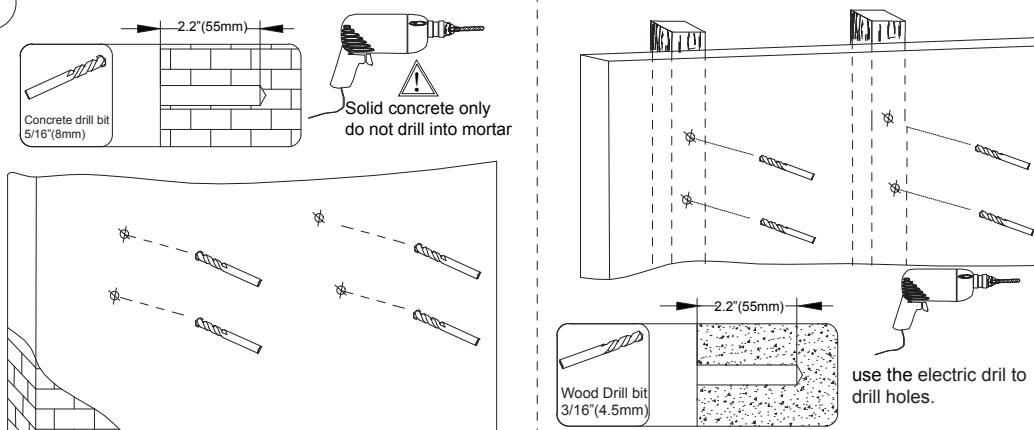
Tools Needed

Pencil mark	Phillips screwdriver	Socket wrench	Stud finder	Band tape
Hammer	Electric drill	Concrete drill bit 5/16"(8mm)	Wood Drill bit 3/16"(4.5mm)	

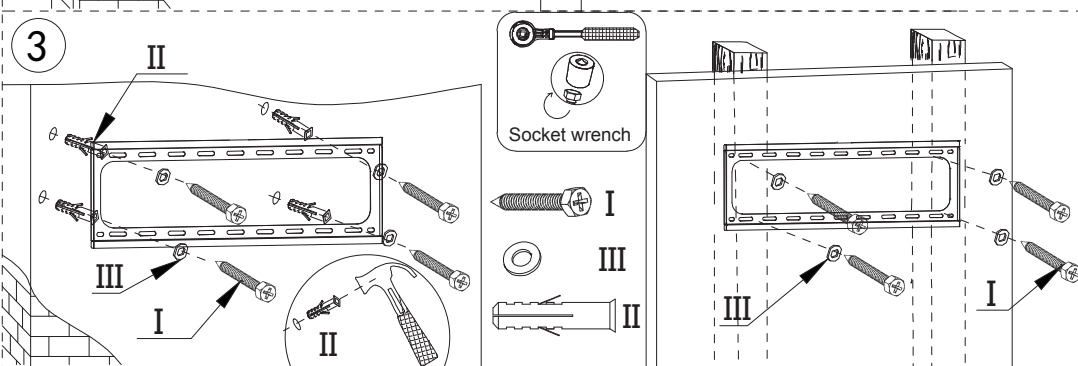
Step-1: Install the wall plate.



2

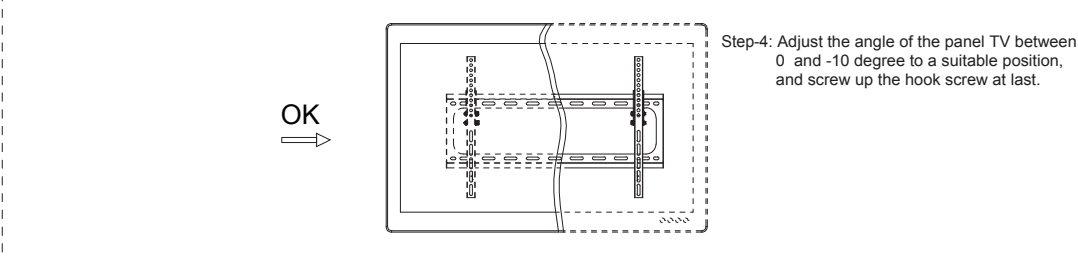
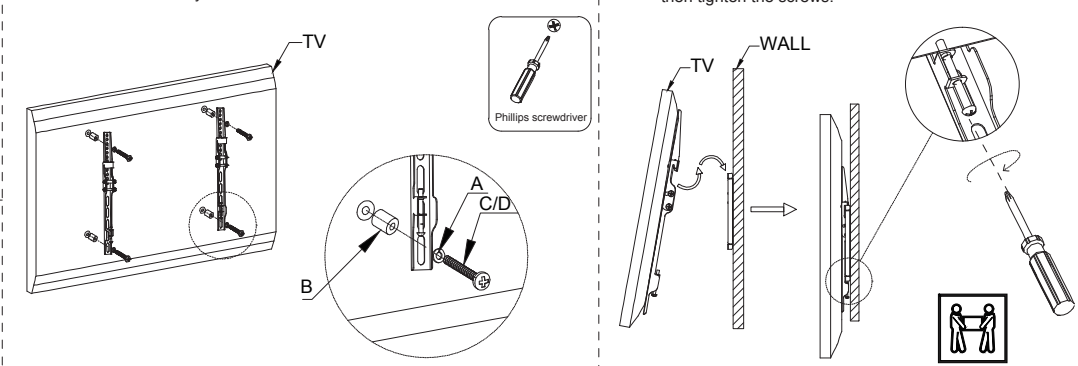


3



Step-2: Select suitable screws from the screw package according to the size of the holes in the back of TV. Fix the two hanging arms onto the back of TV by screws into the holes.

Step-3: Two people hang the TV with the two monitor brackets on the wall plate, relax the hands until they are caught hold of, then tighten the screws.



Step-4: Adjust the angle of the panel TV between 0 and -10 degree to a suitable position, and screw up the hook screw at last.