

AVALANCHE

Installation and maintenance manual

Aluminum alloy core bed

Version number: 20201017



Purchase agreement:

When you start to pay the down payment or full payment for our device, it means that you have agreed to the purchase agreement of our device. Since our device belongs to customized series, our company still does not accept the return and replacement without reason.

Inspection rules:

Please confirm whether the outer package of the device is intact before signing in, or take photos around the goods or take signing videos for the goods. After unpacking, please verify the integrity and functionality of the device in time to ensure that the device can be used normally only after there is no problem.

Use agreement:

Please correctly assemble the instrument according to the instructions before use, and then clean the dirt and ash layer on the surface, track and large and small parts of the instrument.

warning:

1. It is forbidden to use the device without the guidance of a professional trainer;
2. Children under the age of 18 or children are not allowed to be alone with the device;
3. Before using the device, anyone must conduct reliability and safety test on the device;
4. Our company is not responsible for any failure to use the device according to



Accessory name	Notes
Bed body	The aluminum alloy body does not need to be
Square box & box	
Springboard	It's at the head of the bed
sliding panel	No assembly required
Soft pedal	without
Pull rope & foot	Shuttle according to the sample map
Draw bar	Fix according to the sample drawing
head pillow	Insert according to the sample
Heighten feet	The heightening foot is custom-made

1.1: Installation of flexible plug board (baffle & springboard)





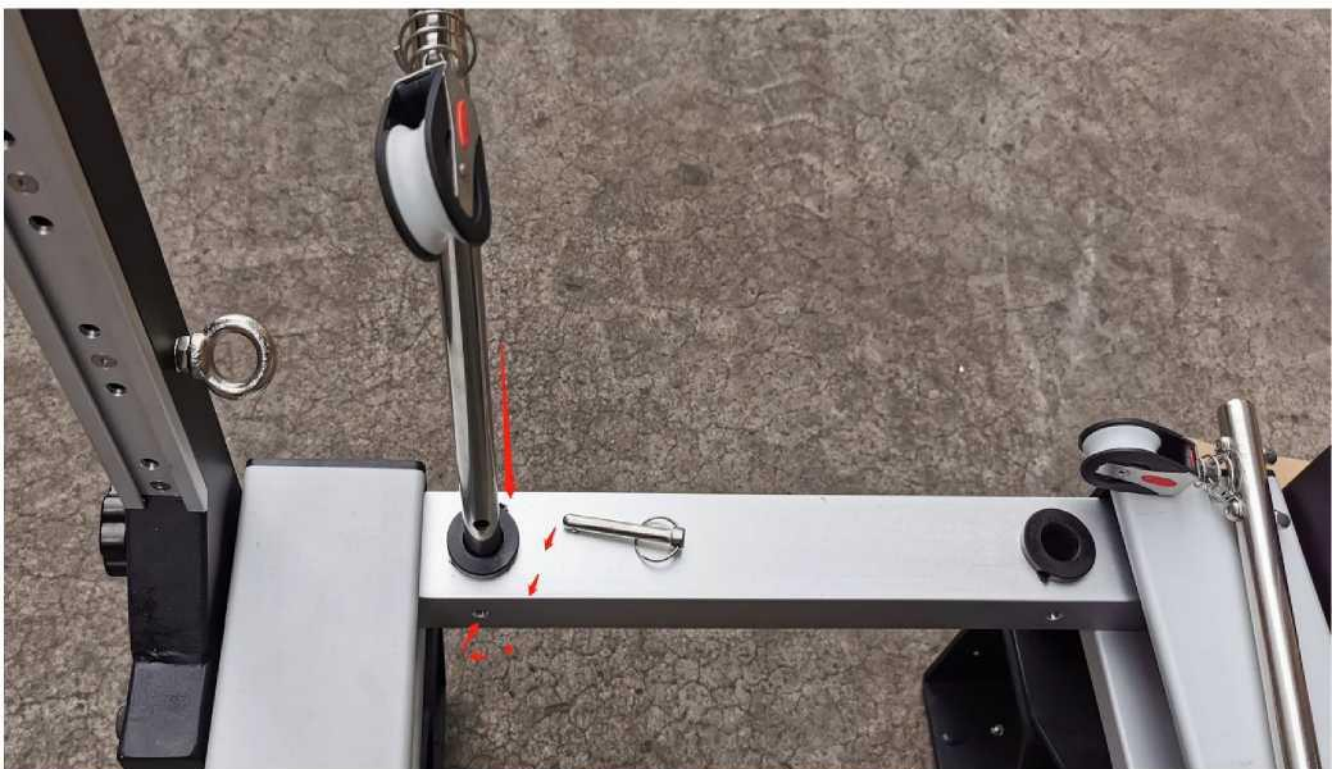
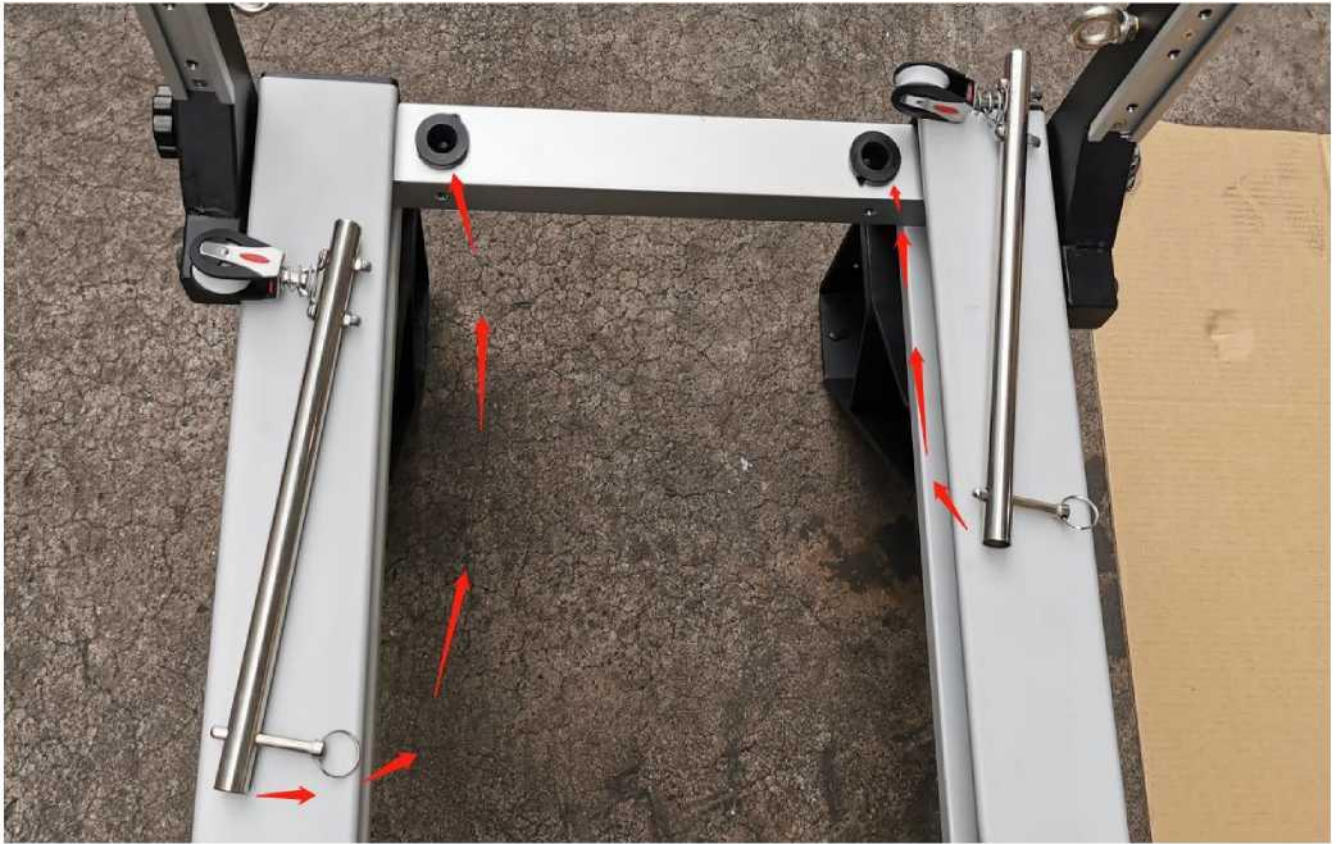
1.2:Soft shoulder installation
(the device used by shoulder is big and small gourd mouth + bolt device, safe and reliable)

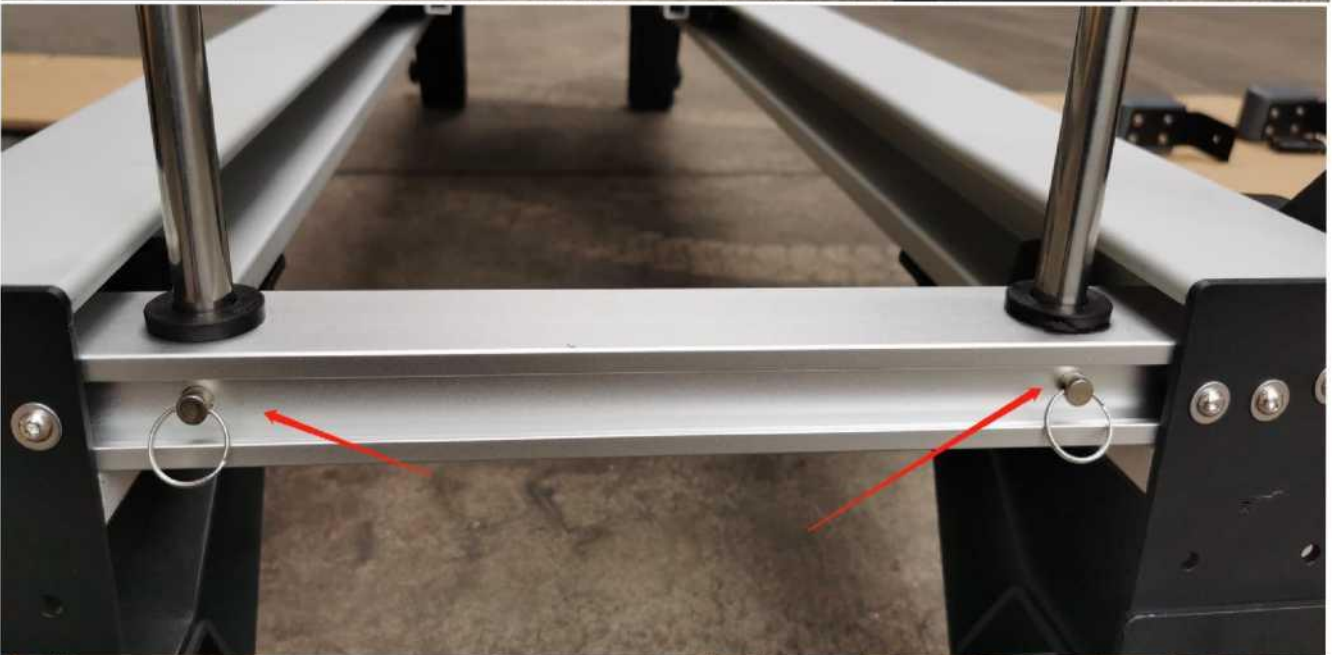
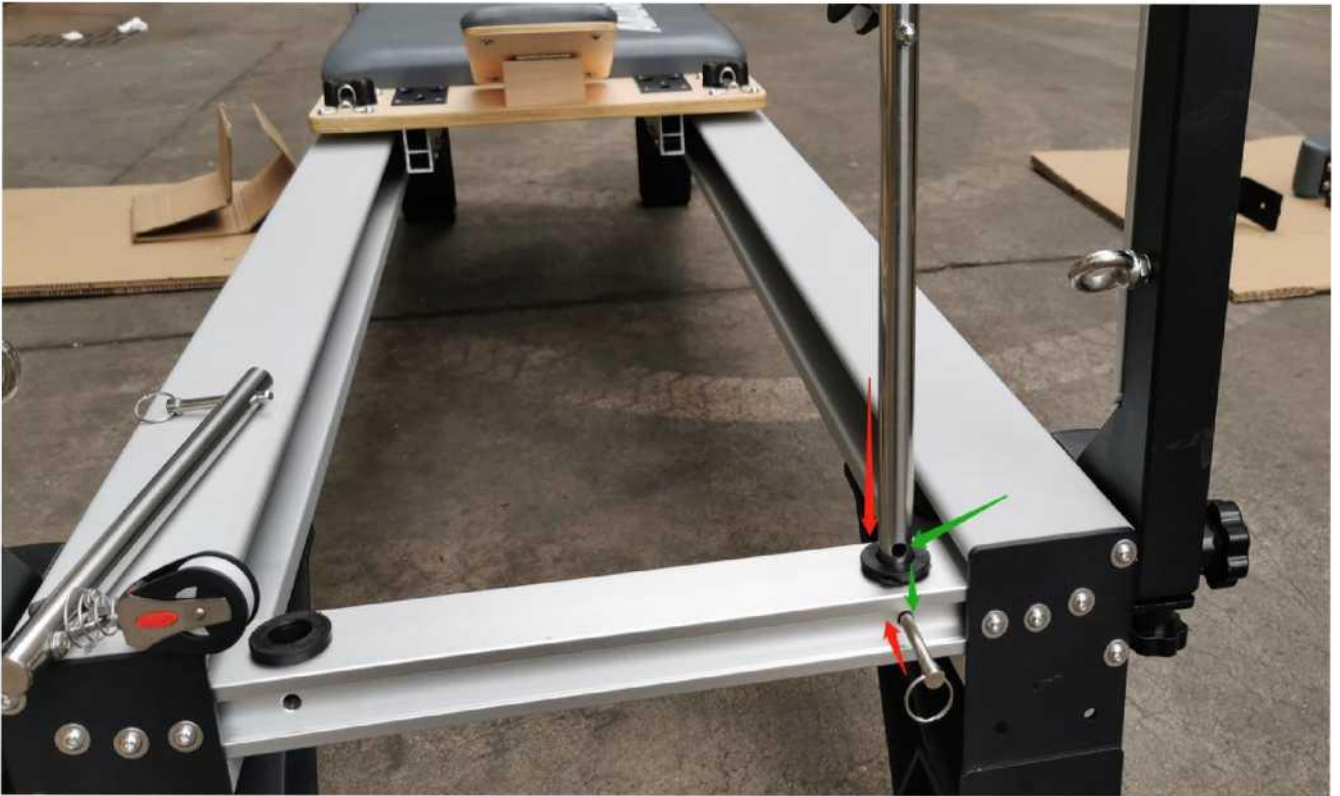






1.3: Installation of draw rope rod
(draw rope rod is divided into stainless steel pipe and bolt)





1.4:There are several installation methods for the installation of the pull rope. The following figure shows the general installation method



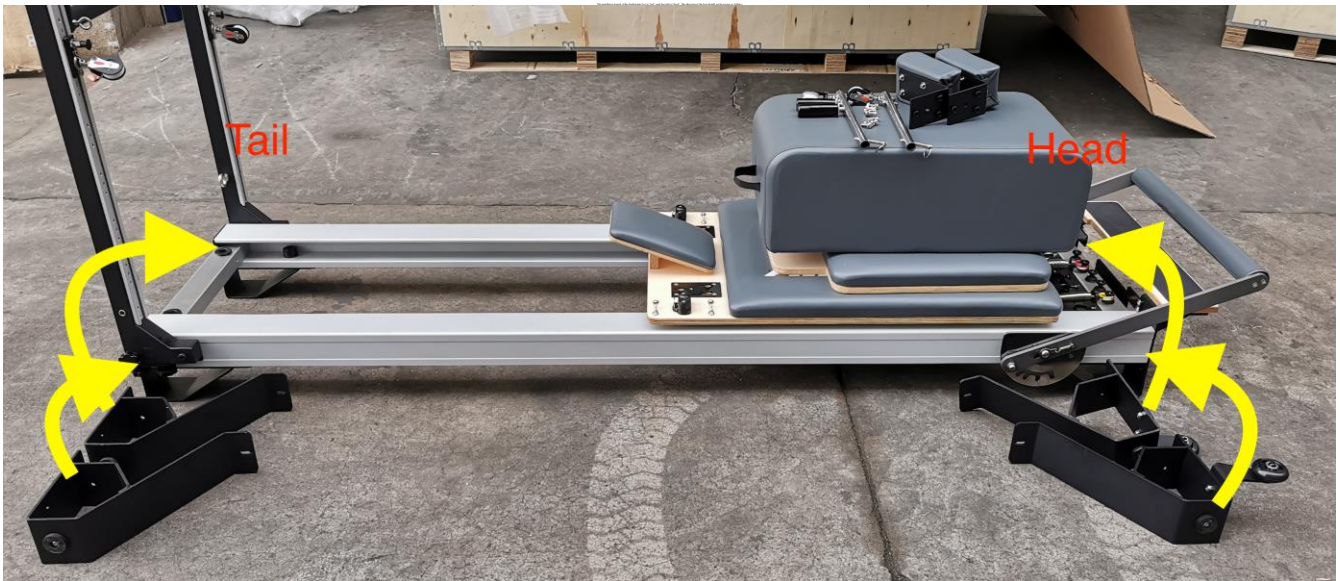




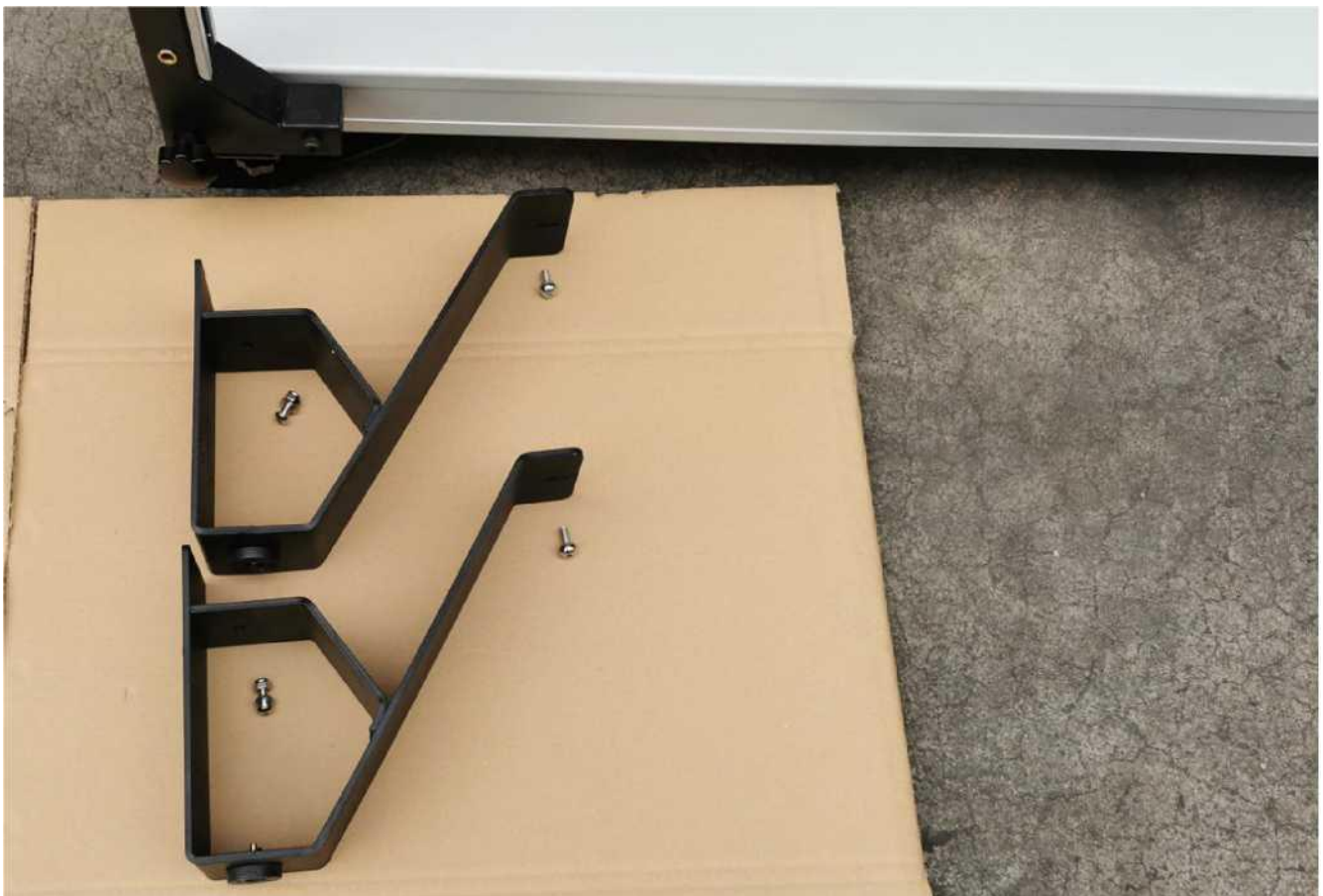




1.5: The installation legend of the heightening foot is "tail", and the right is "head". The direction of the foot should not be wrong, as follows



1.5.1. Tail foot (the other end without the handrail belongs to the tail foot)



1.5.1:The front foot, with carrying wheel, should be assembled at the lower foot of the head (the head with supporting rod belongs to the front foot)

