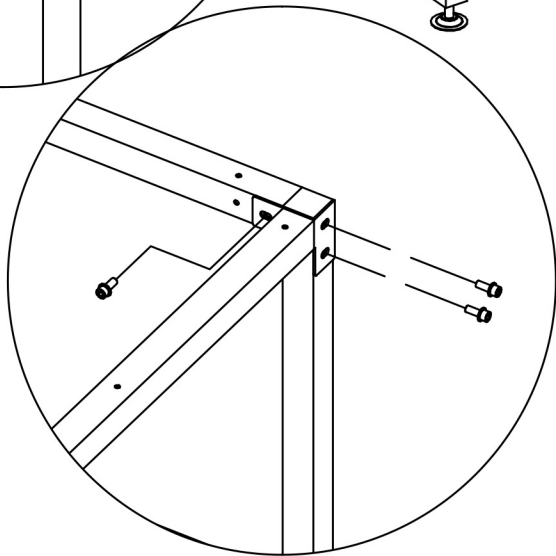
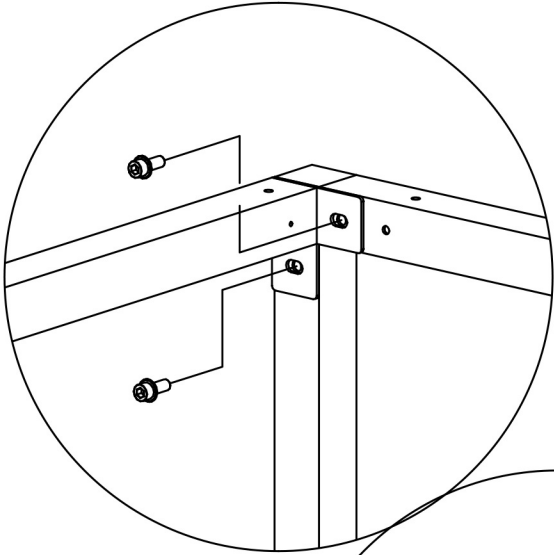
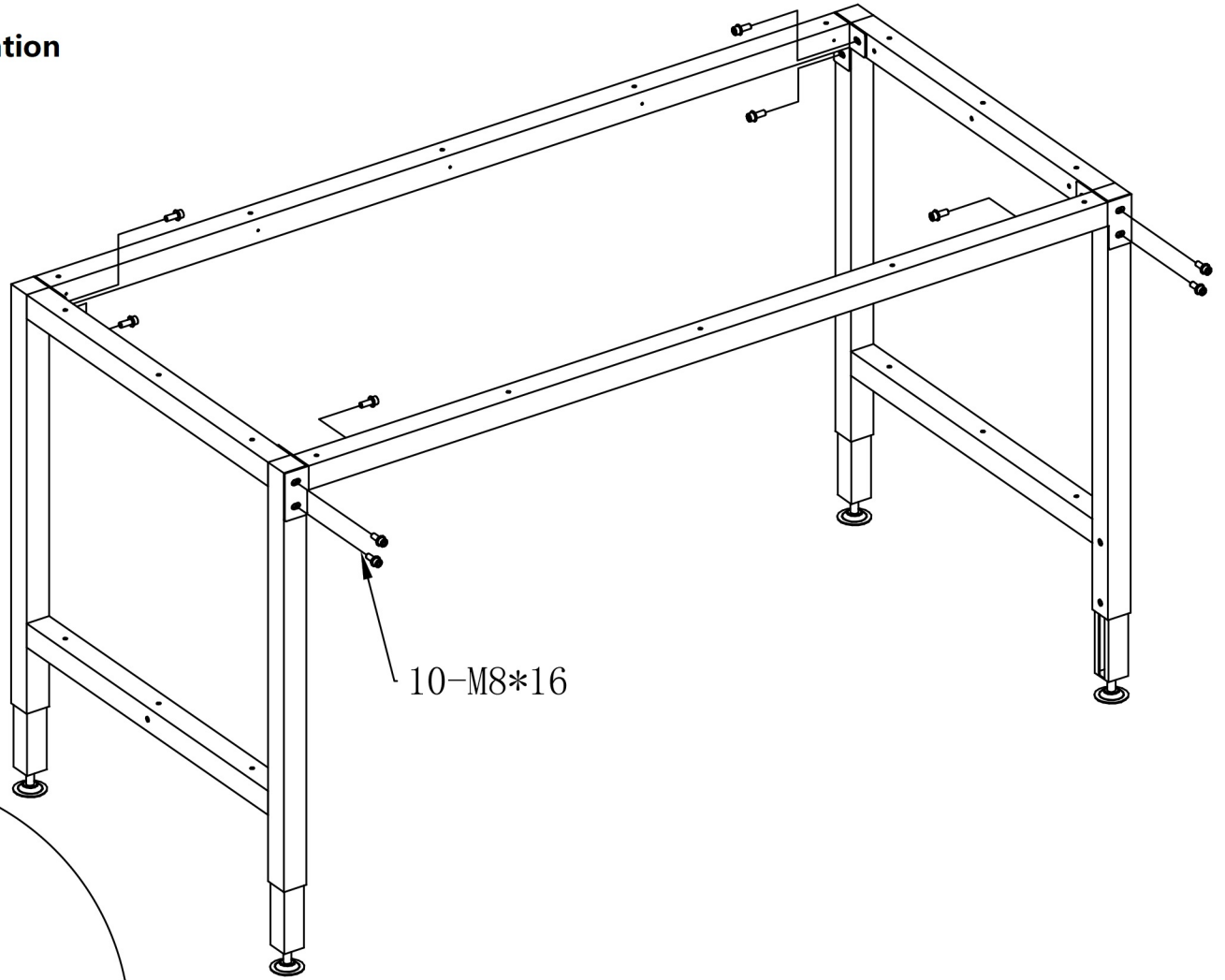


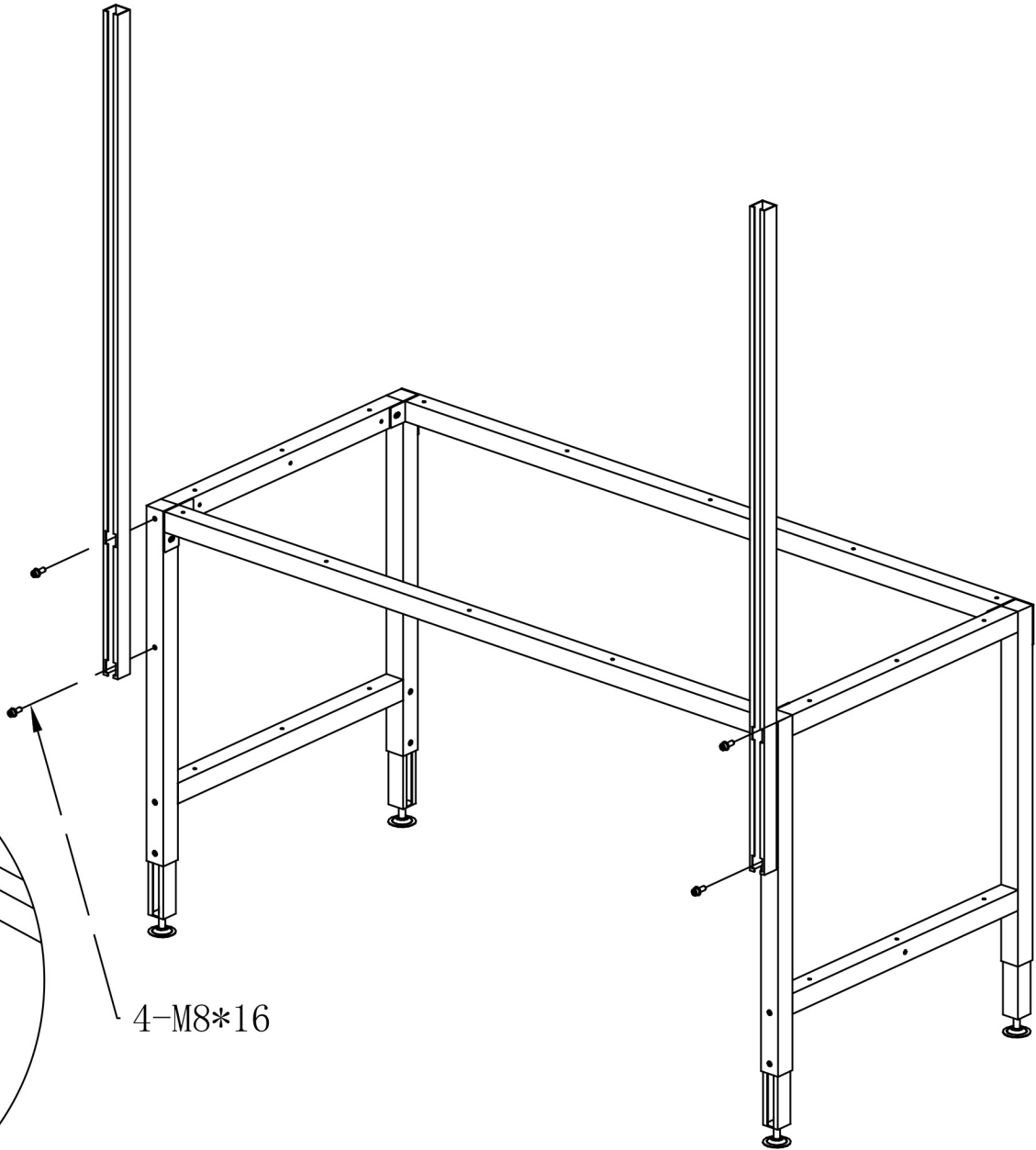
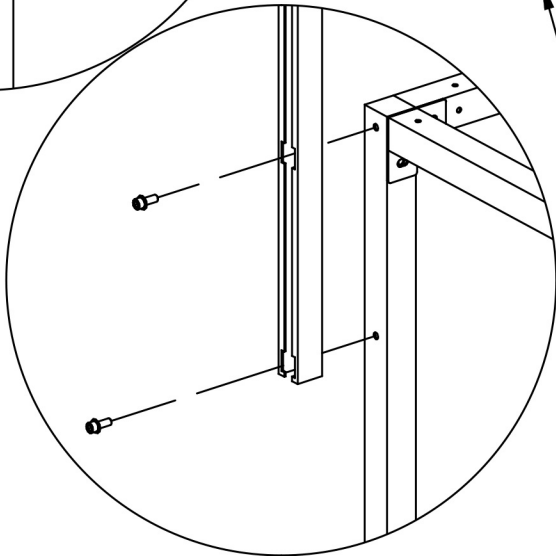
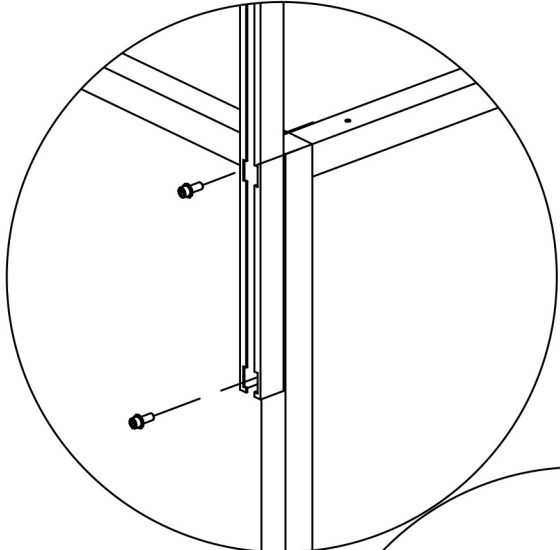
1

Packing table support installation



2

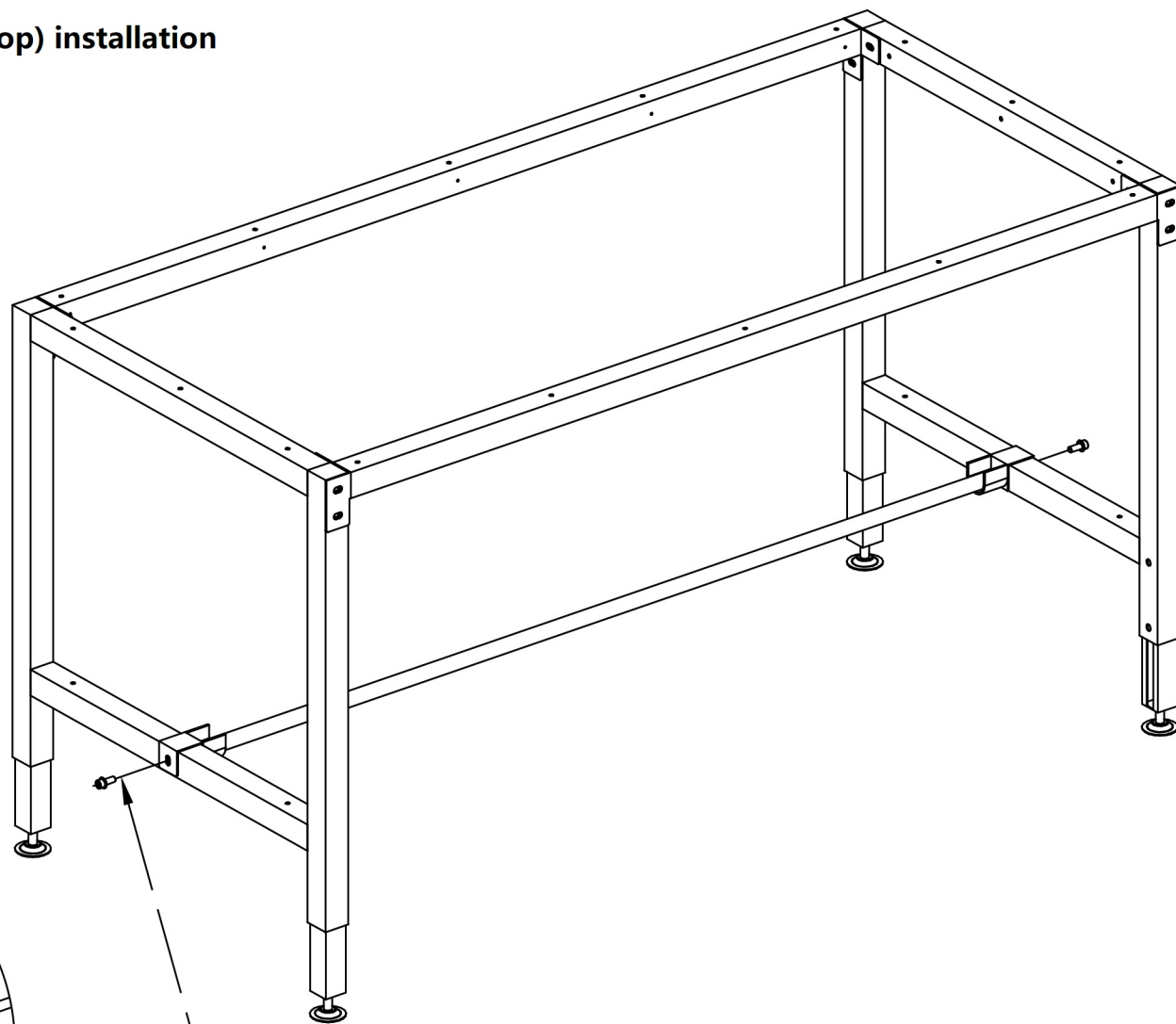
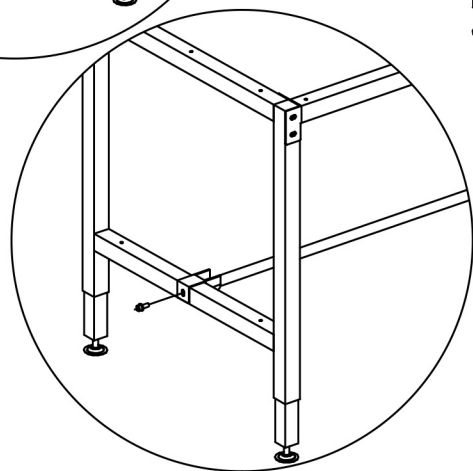
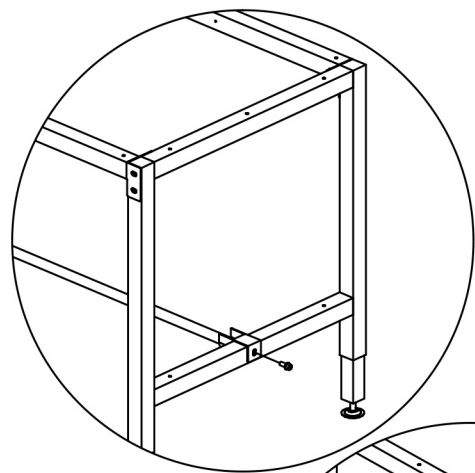
Frame installation



4-M8*16

3

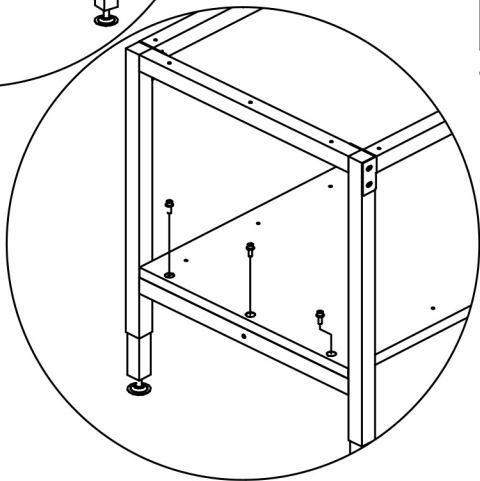
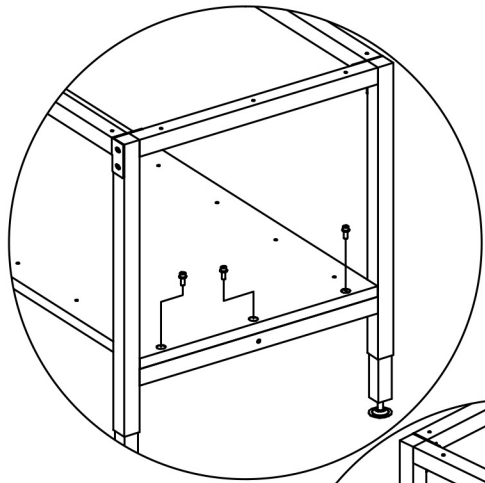
Package Roller (under table top) installation



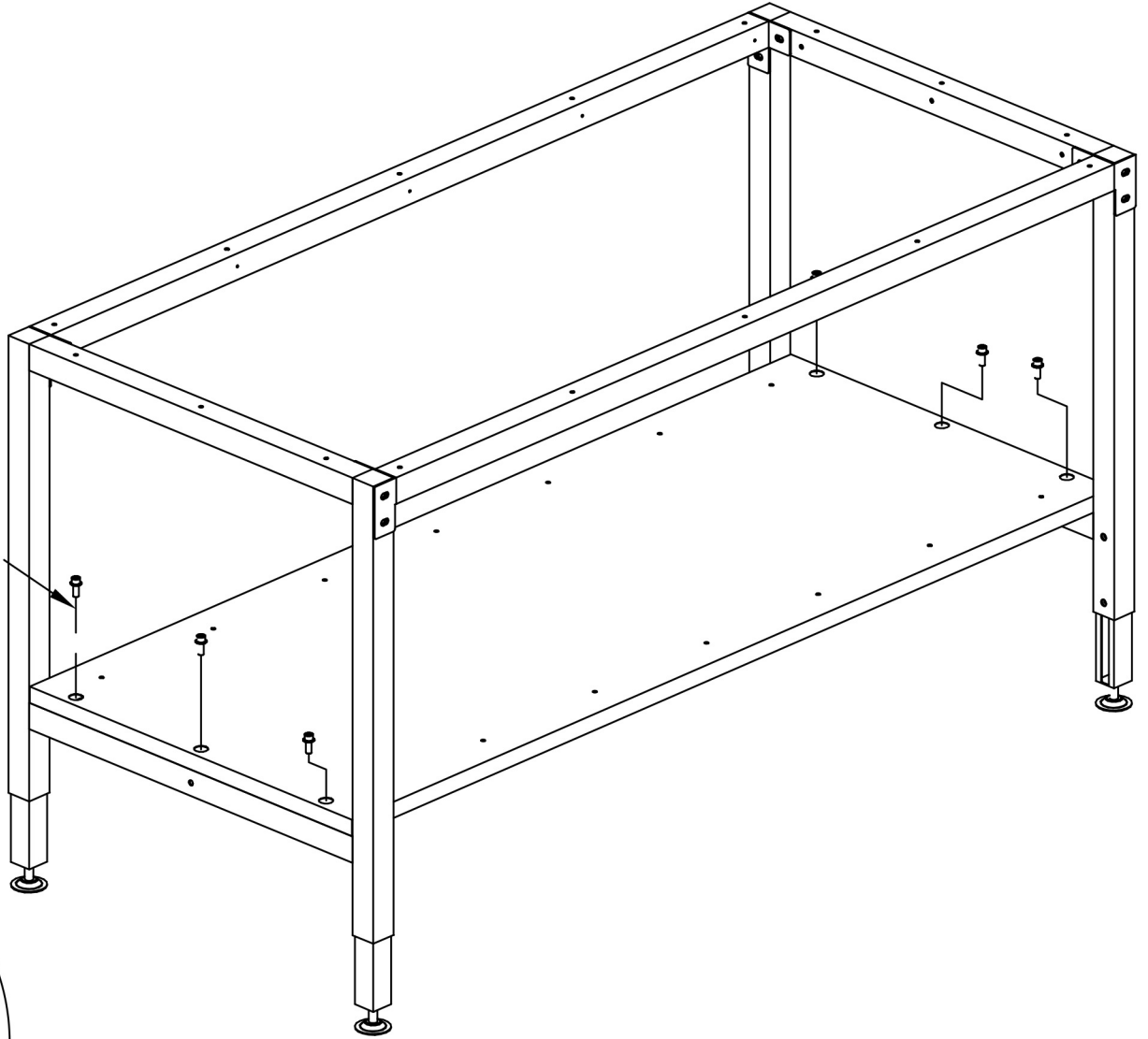
2-M8*16

4

Under shelf installation

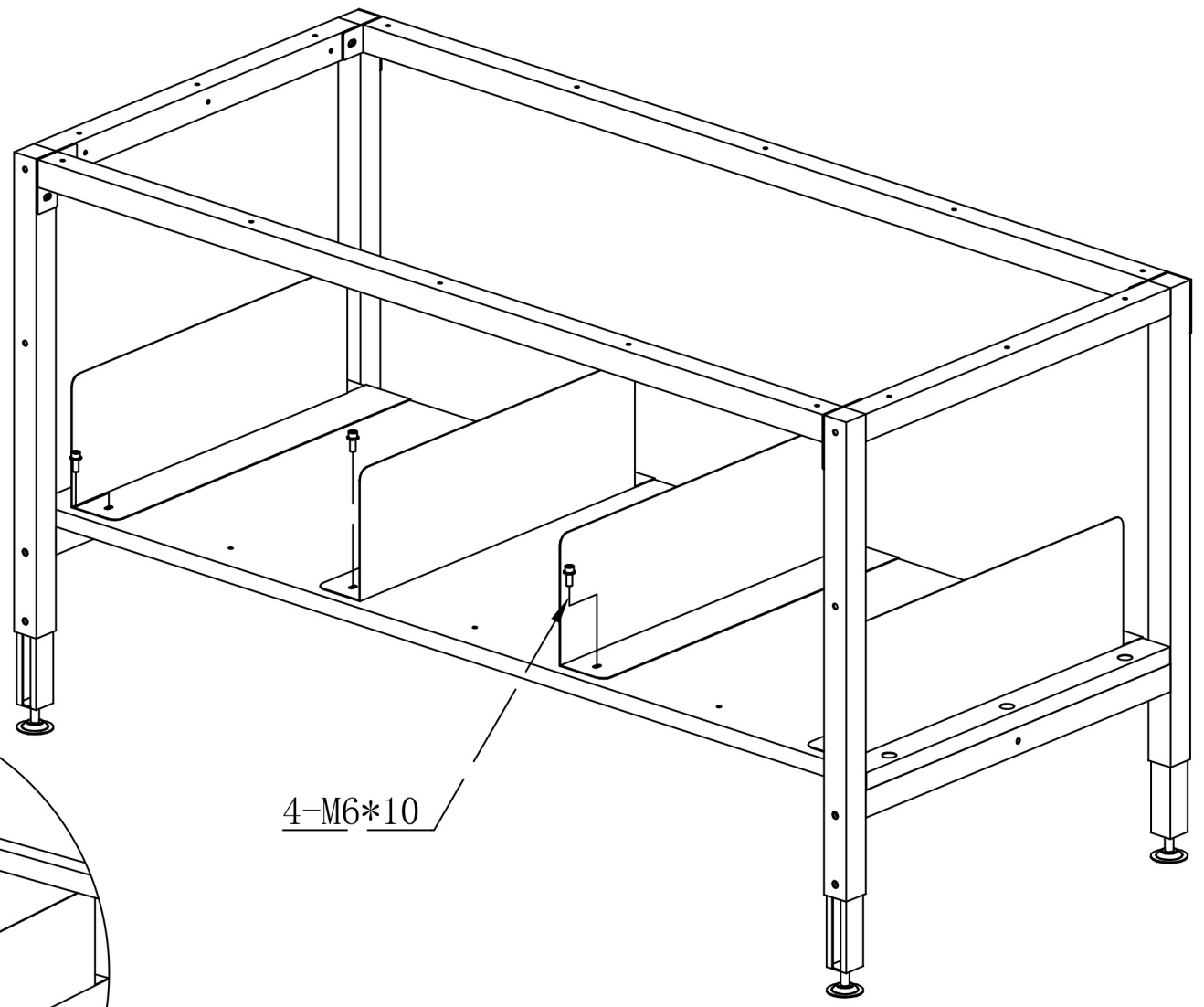
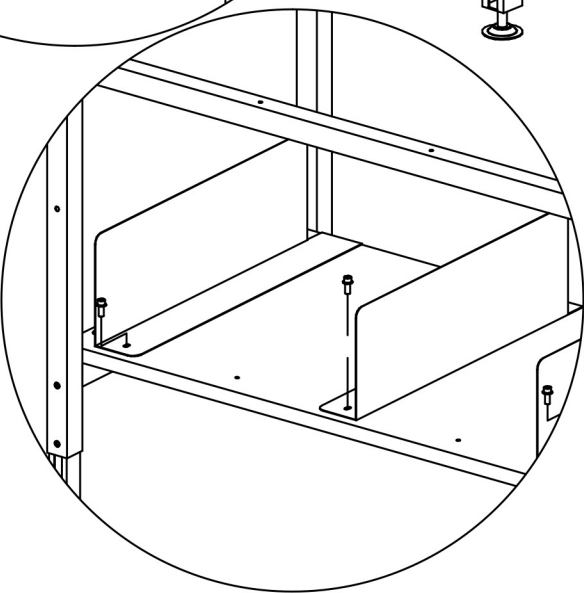
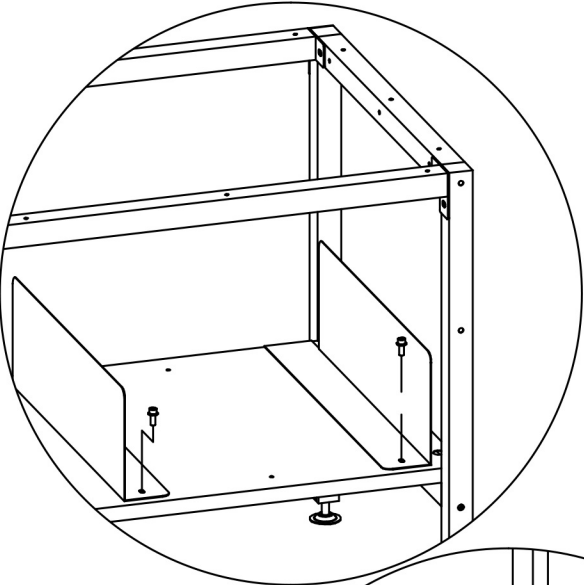


6-M6*16



5

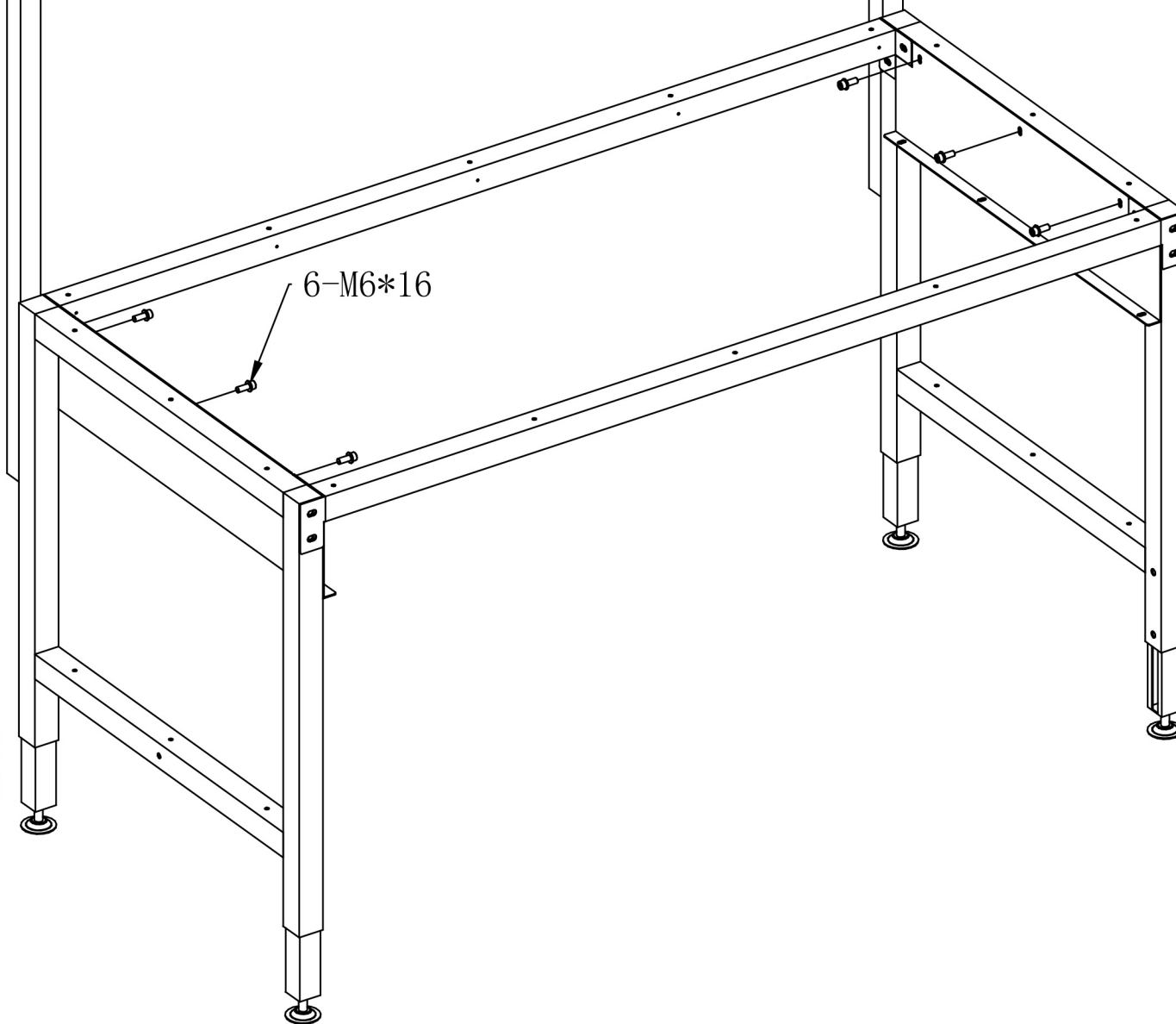
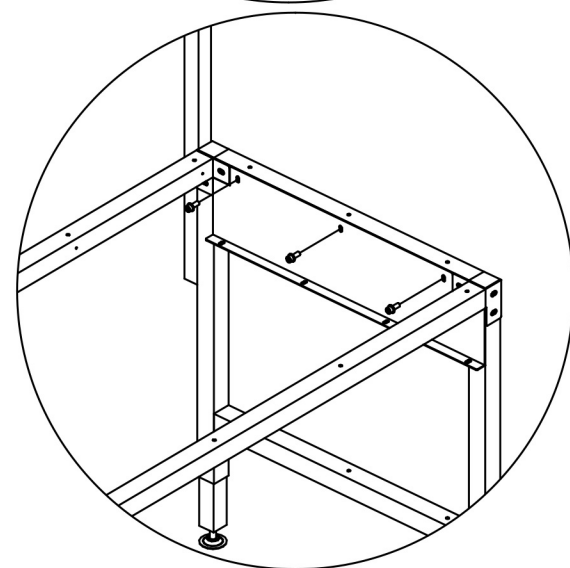
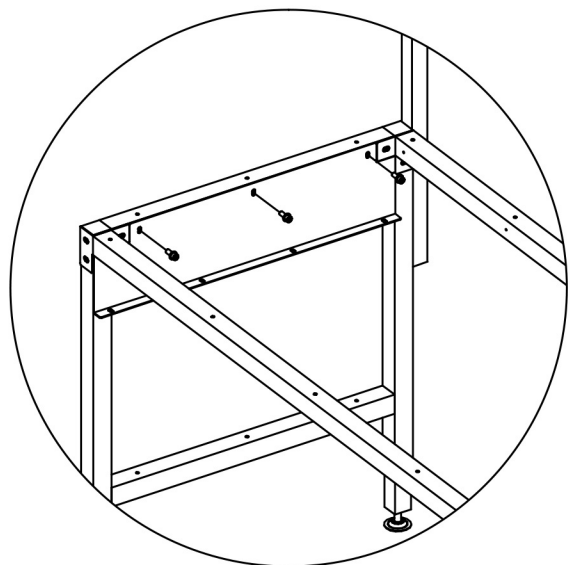
Bigger divider installation



4-M6*10

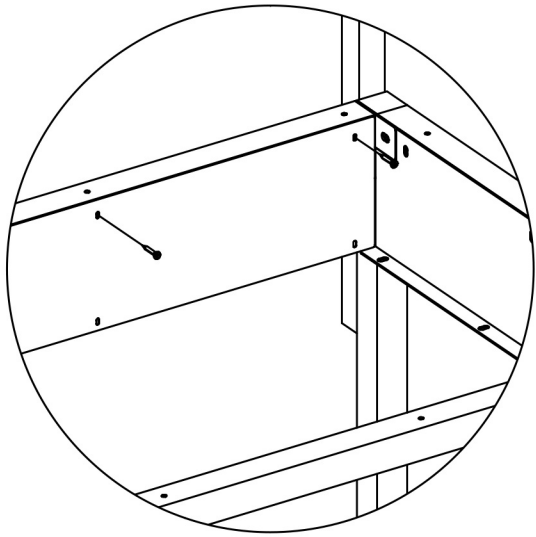
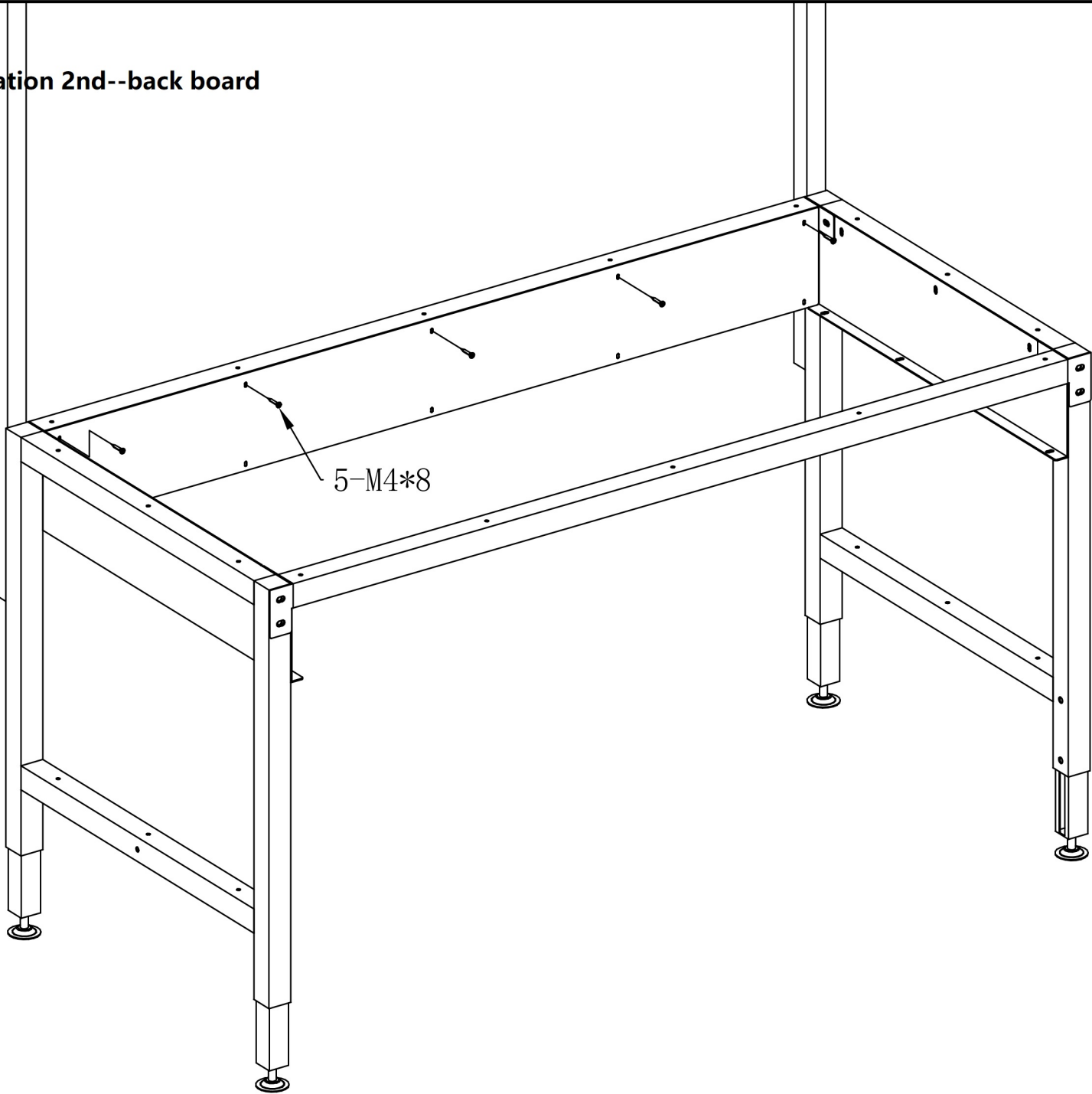
6

Bigger drawer installation 1st step--
left and right side board



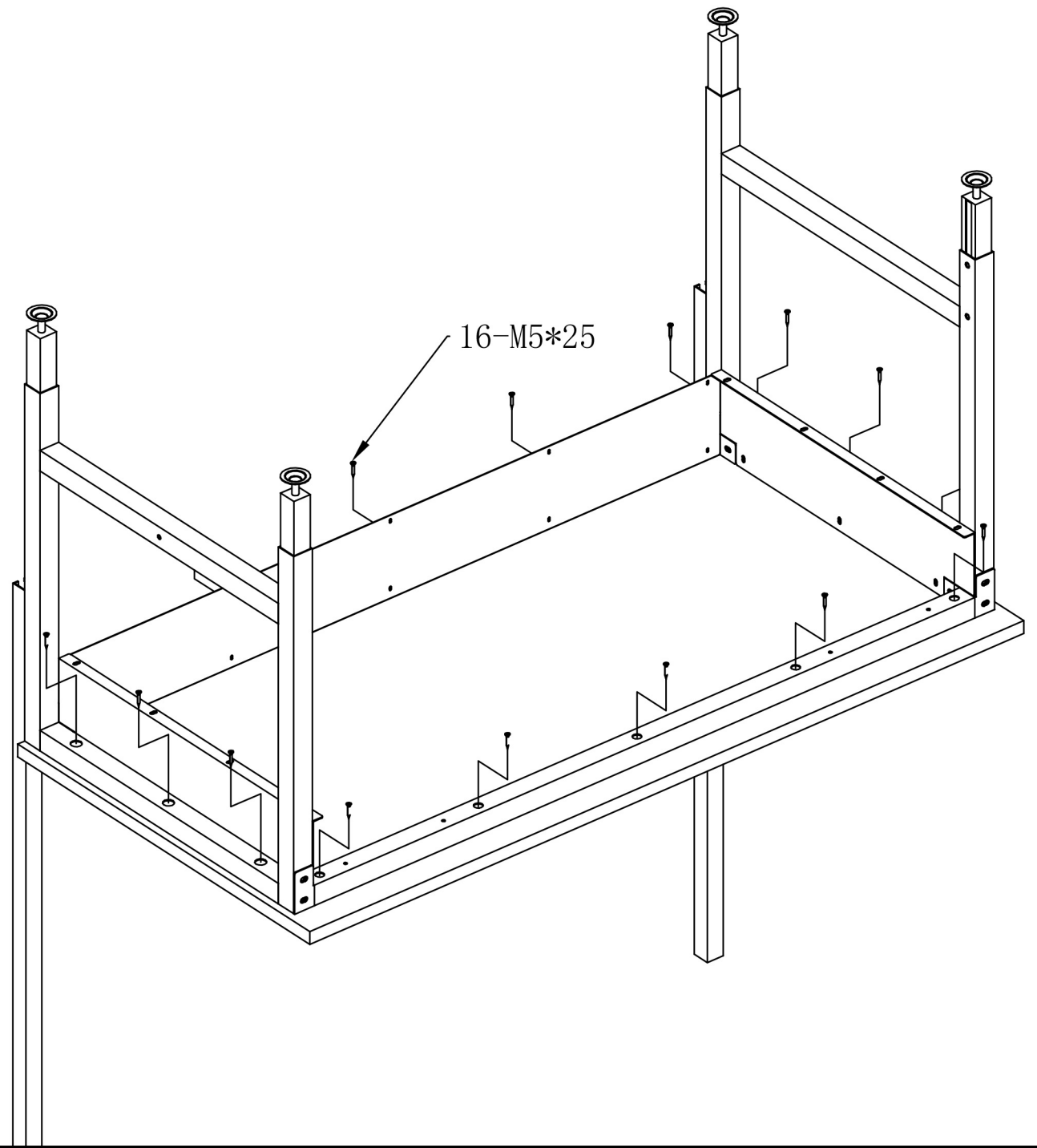
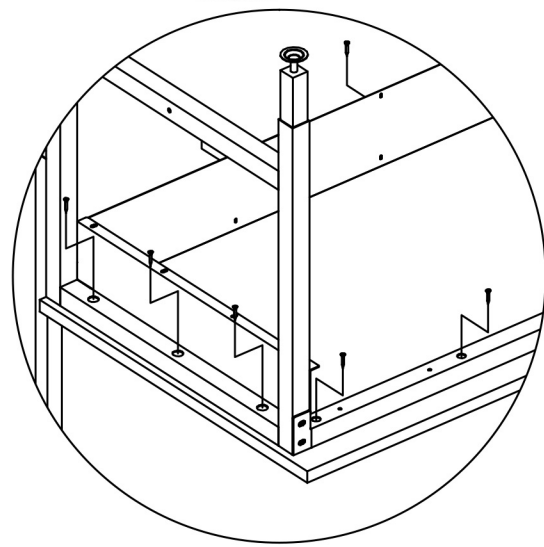
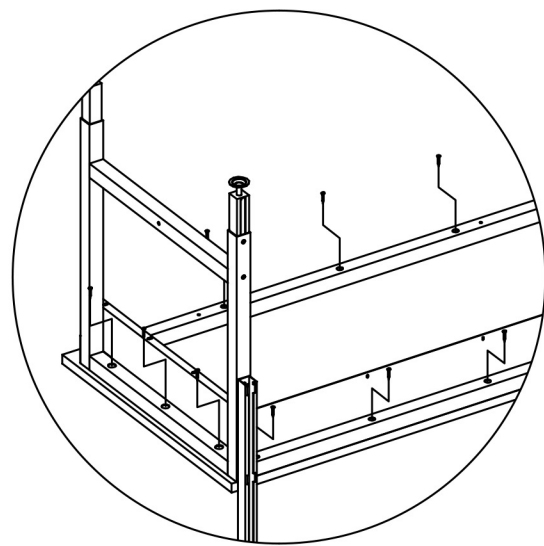
7

Bigger drawer installation 2nd--back board



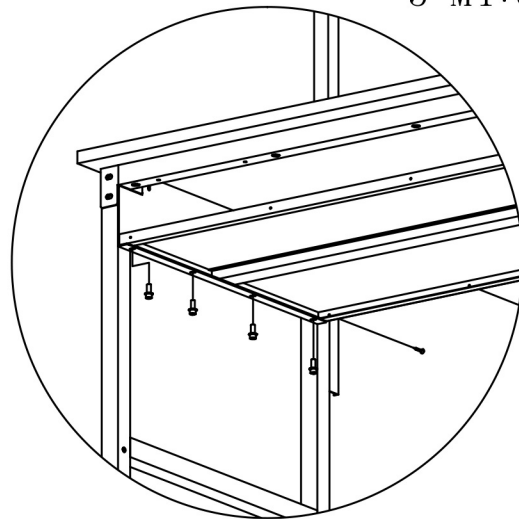
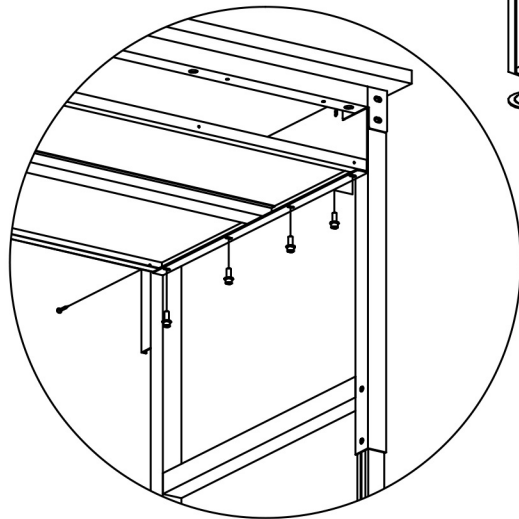
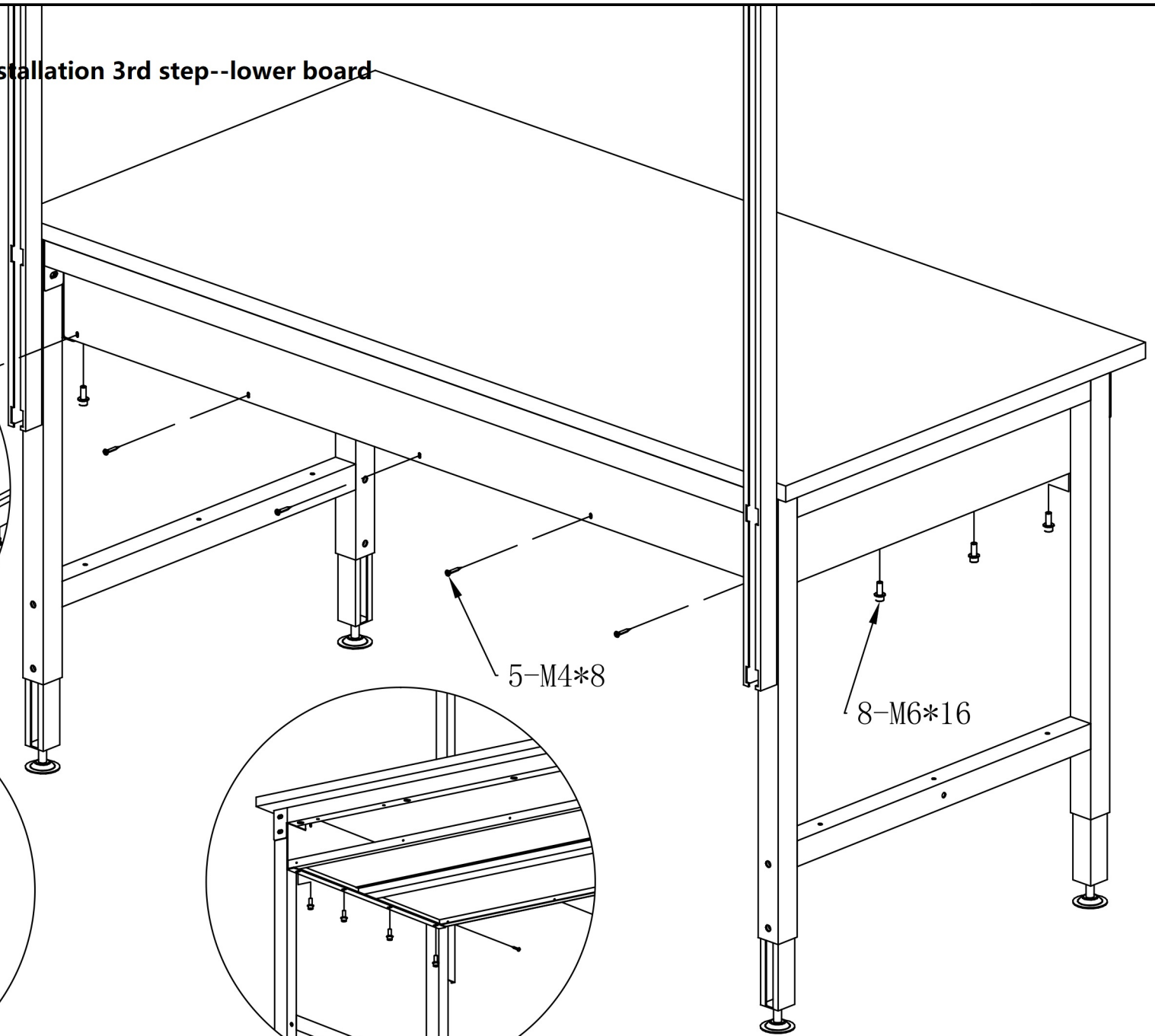
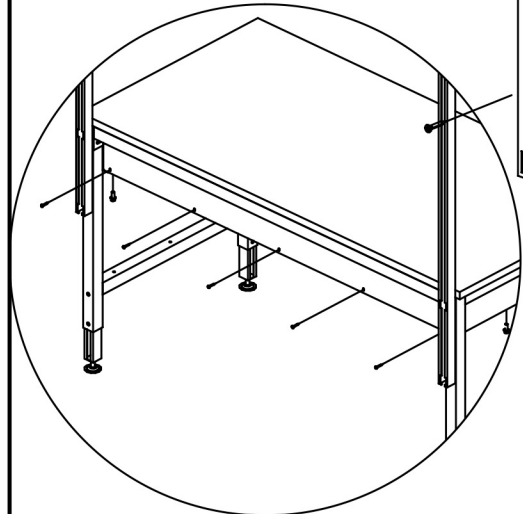
8

Table top installation



9

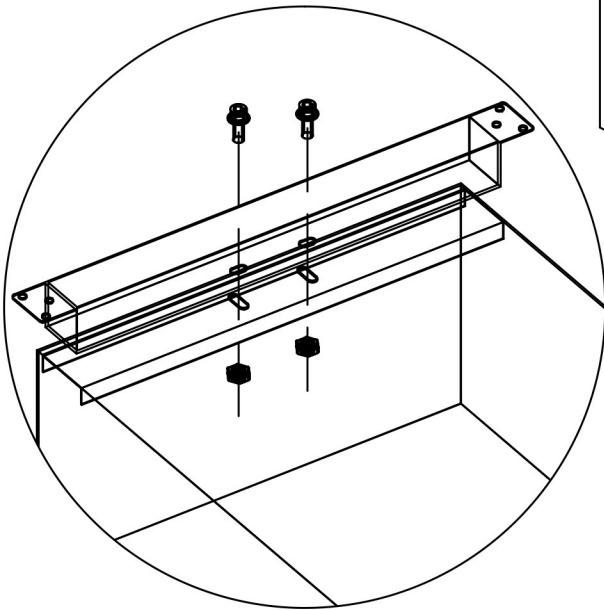
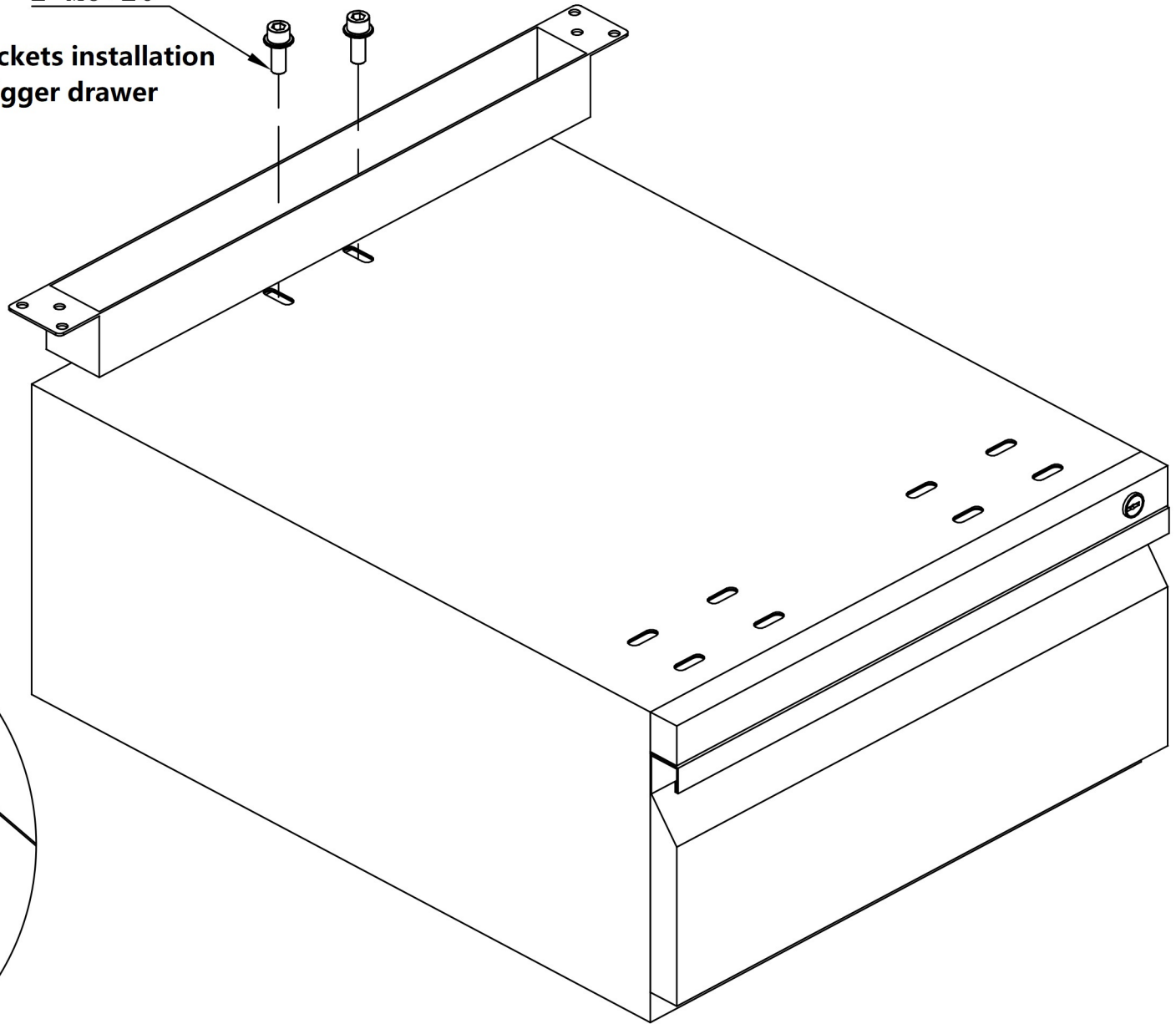
Bigger drawer installation 3rd step--lower board



10

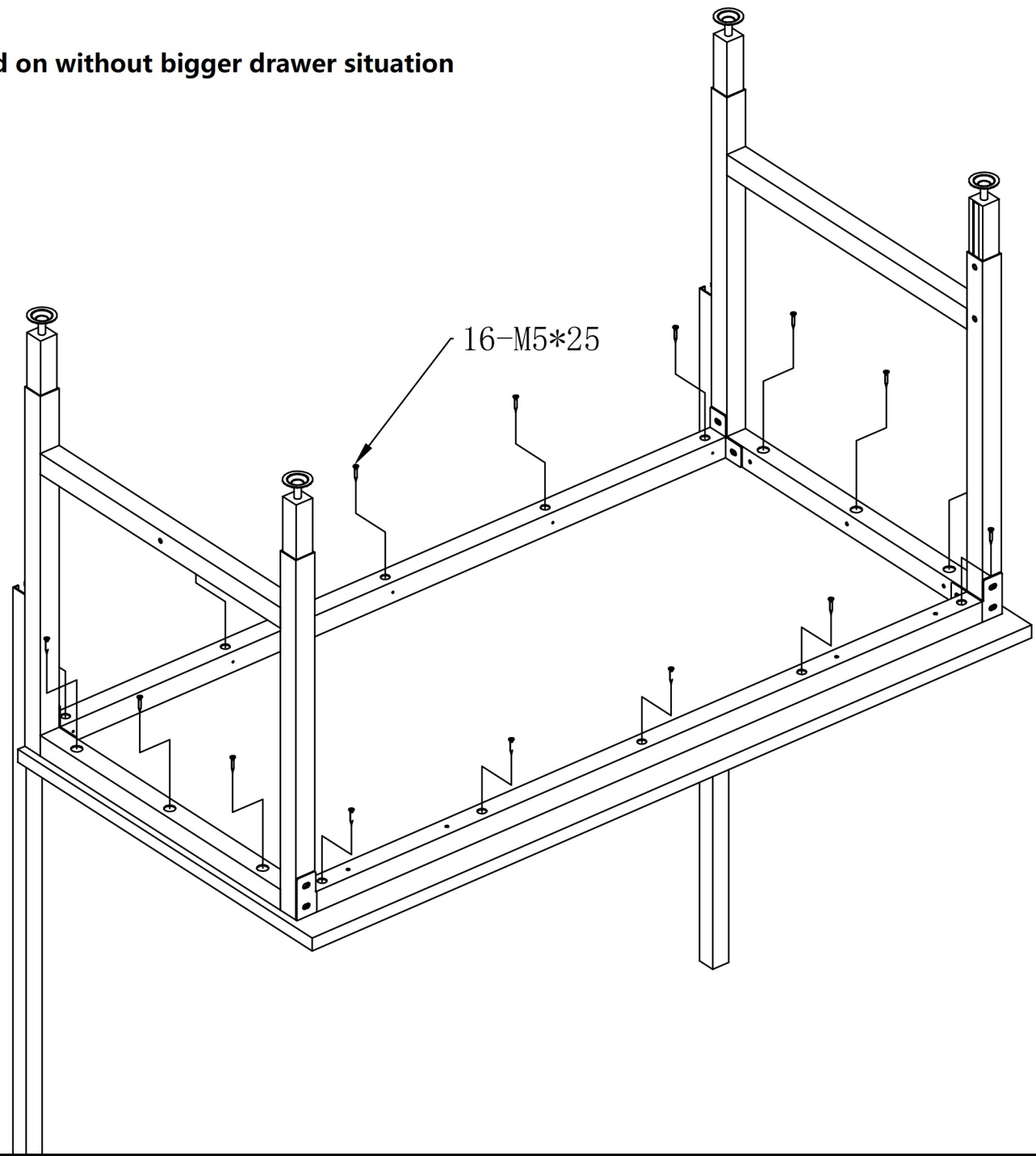
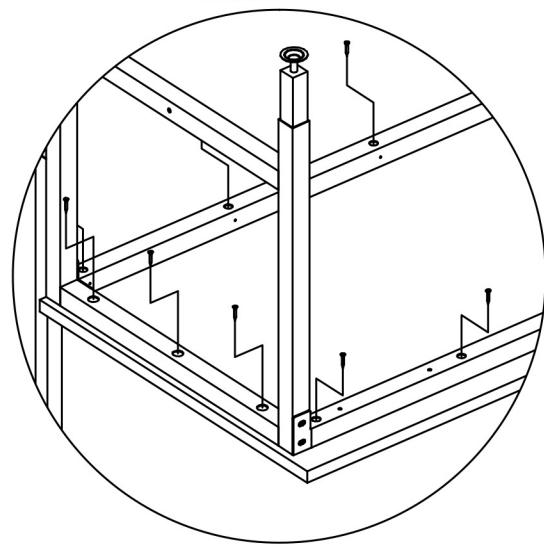
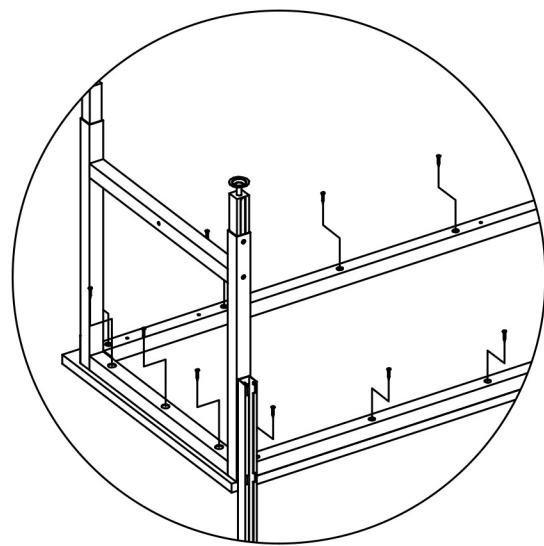
**Smaller drawer with brackets installation
based on without the bigger drawer**

2-M6*20



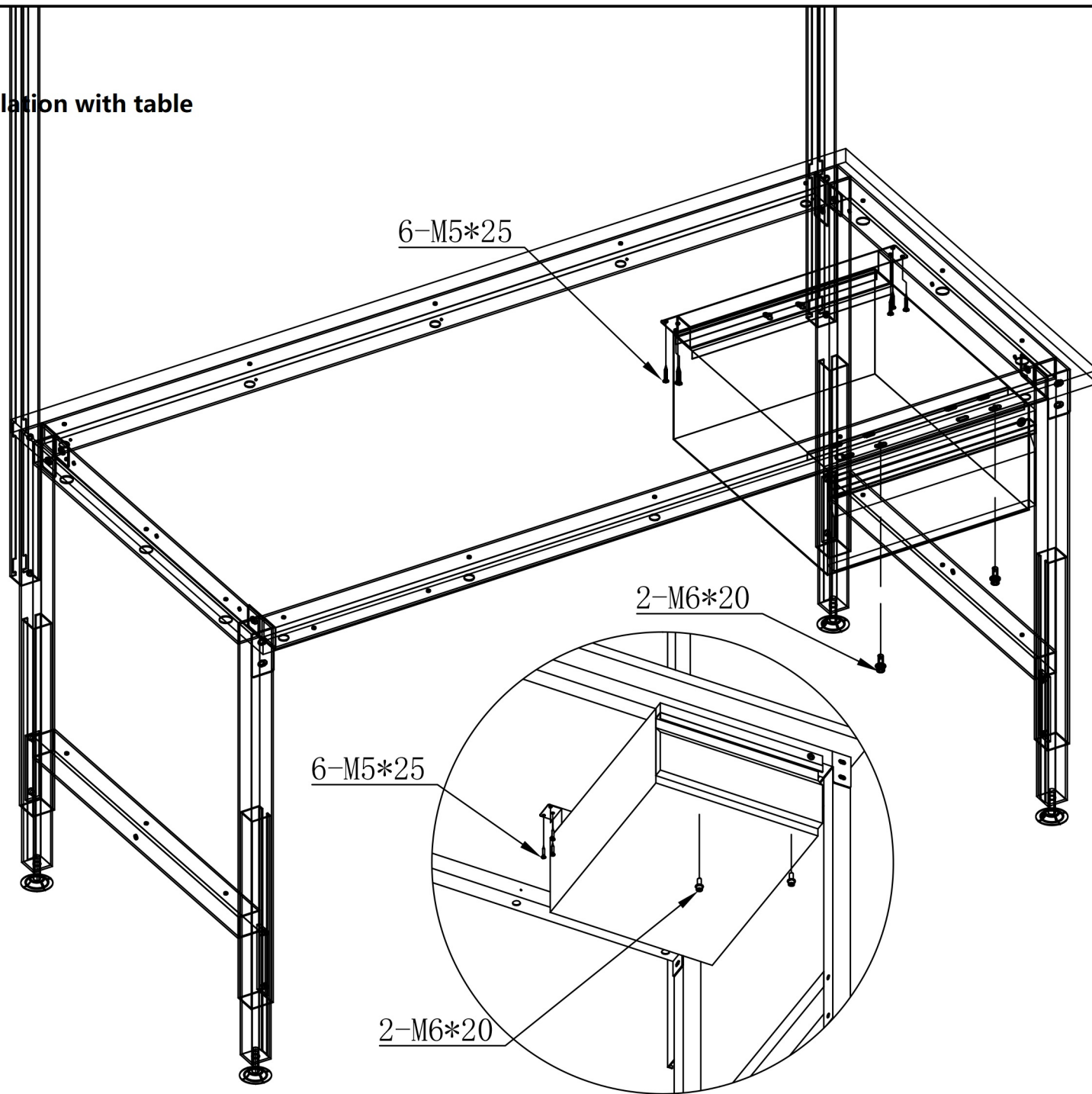
11

Table top installation based on without bigger drawer situation



12

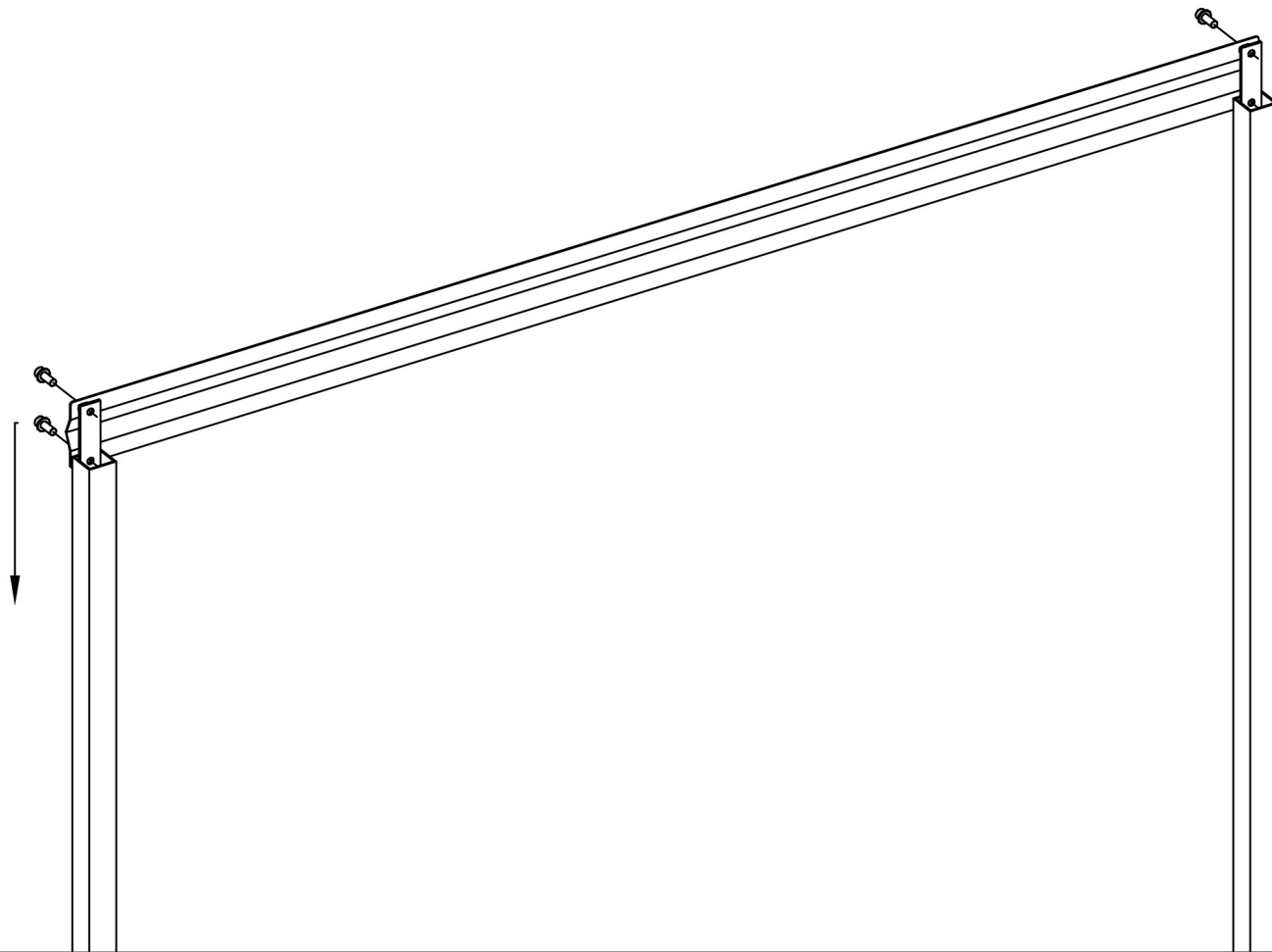
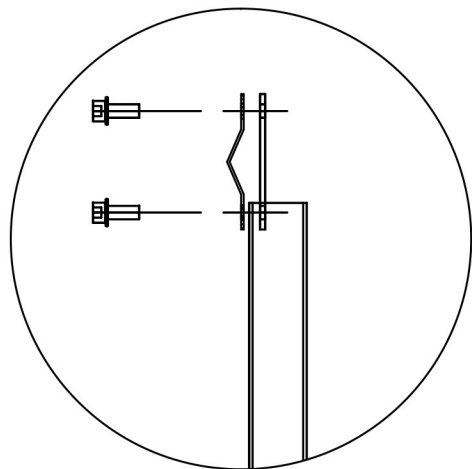
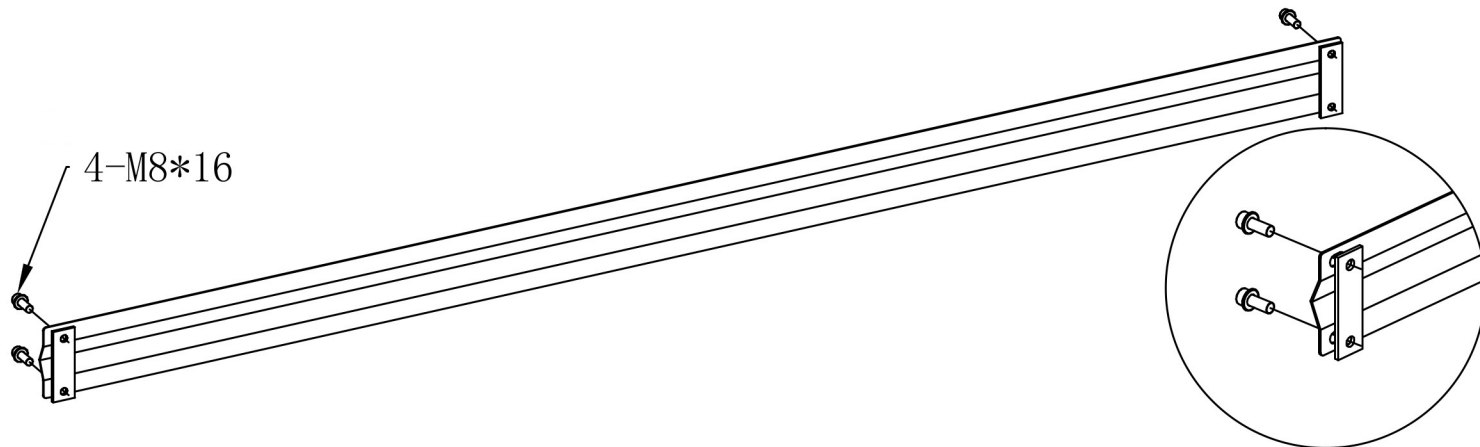
Smaller drawer installation with table



13

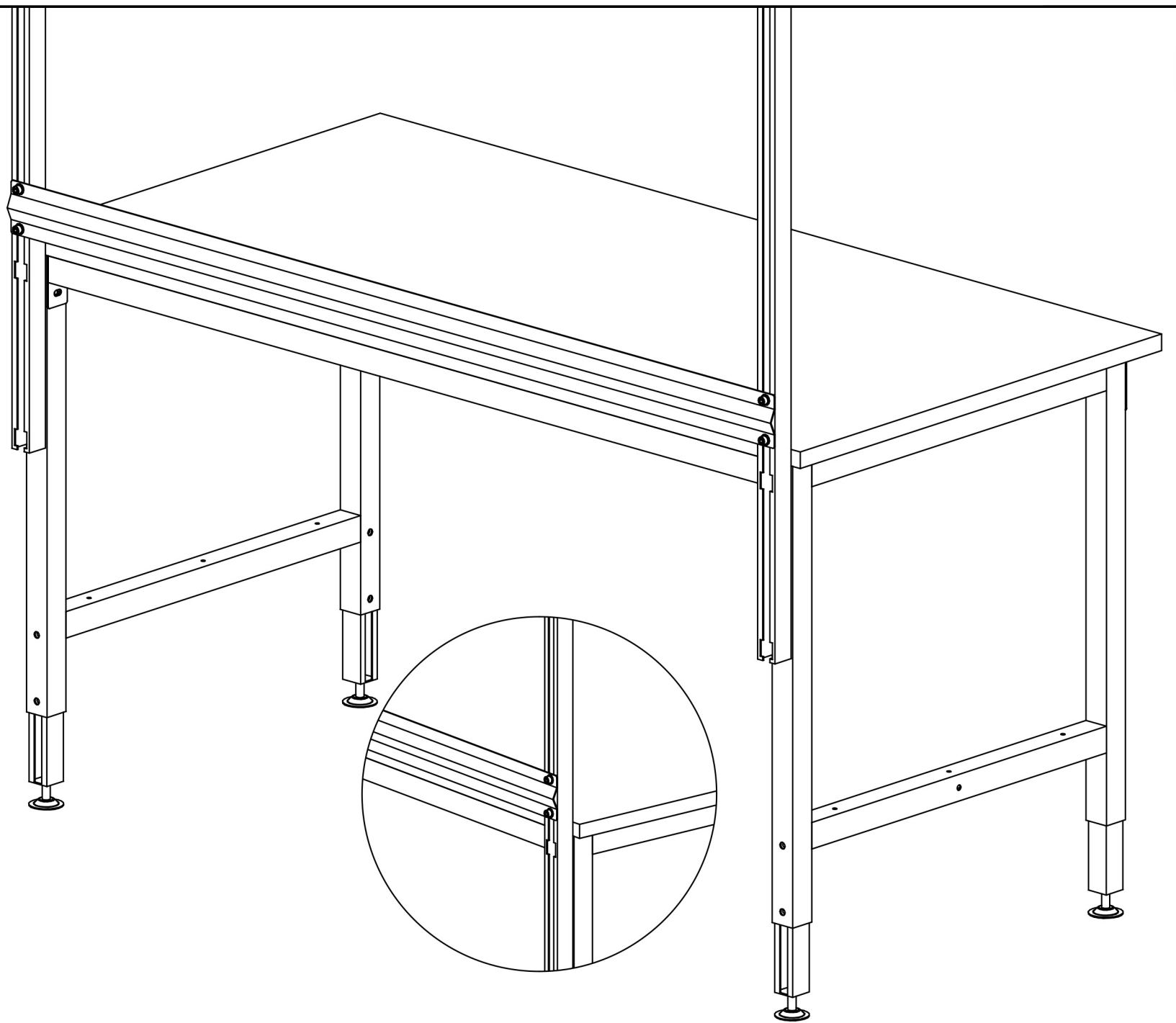
Bins rail installtion

4-M8*16



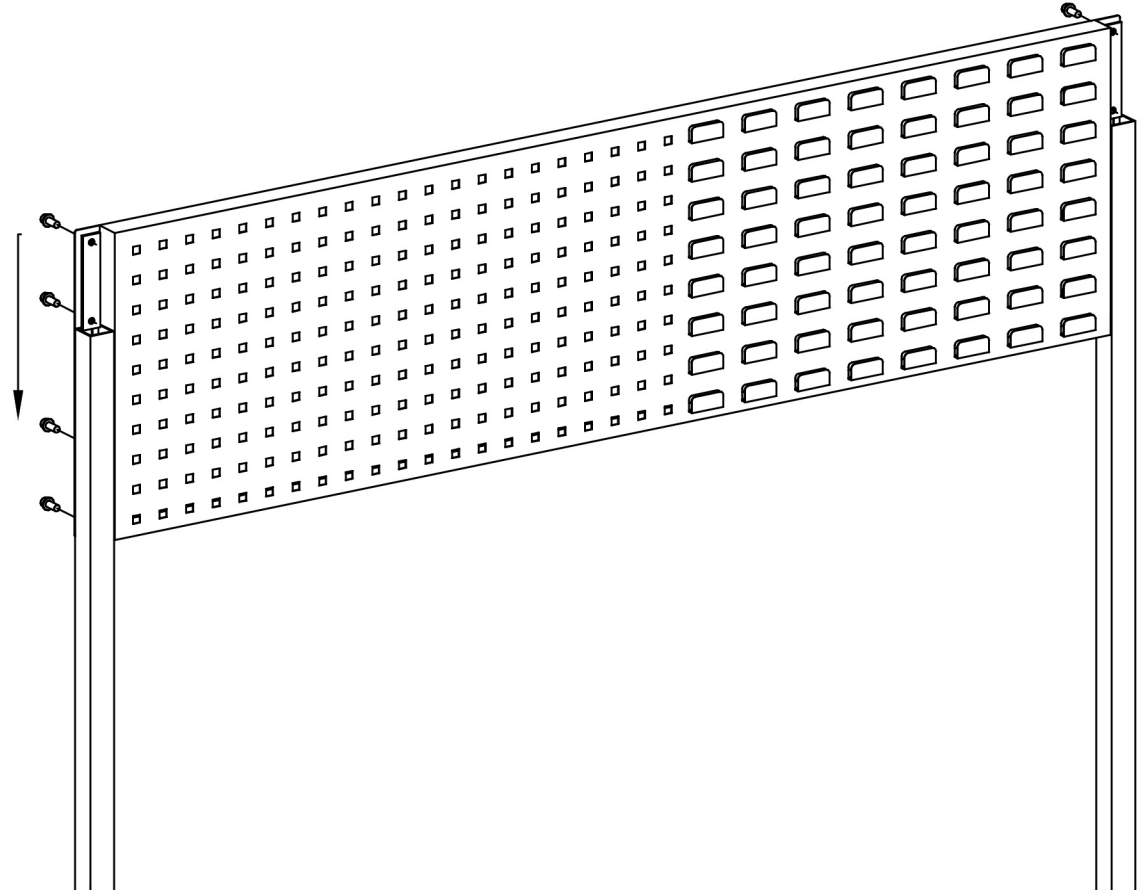
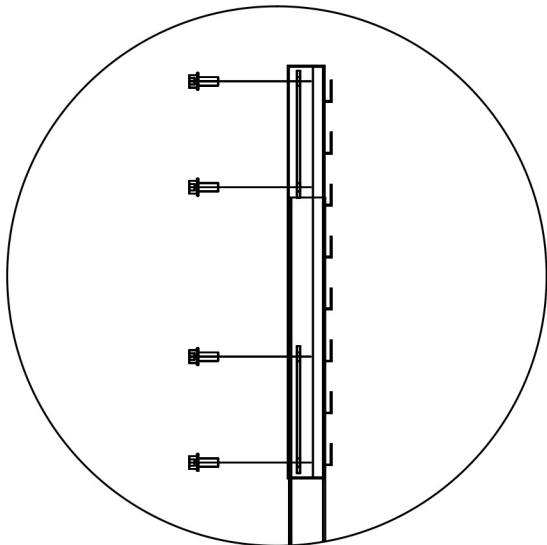
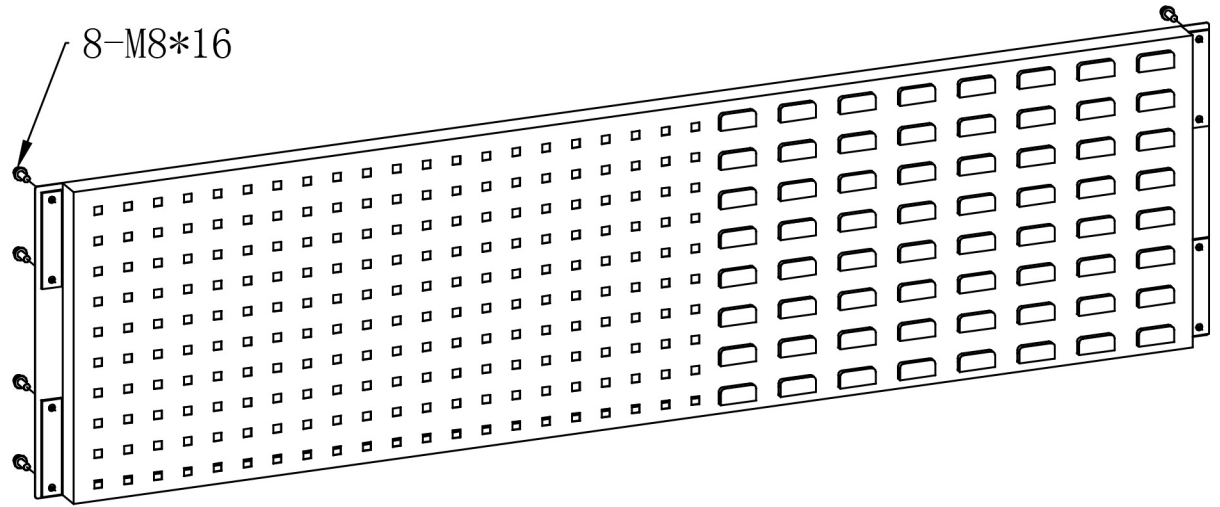
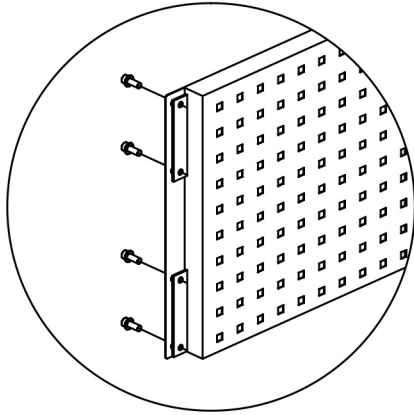
14

Fixed bins rail



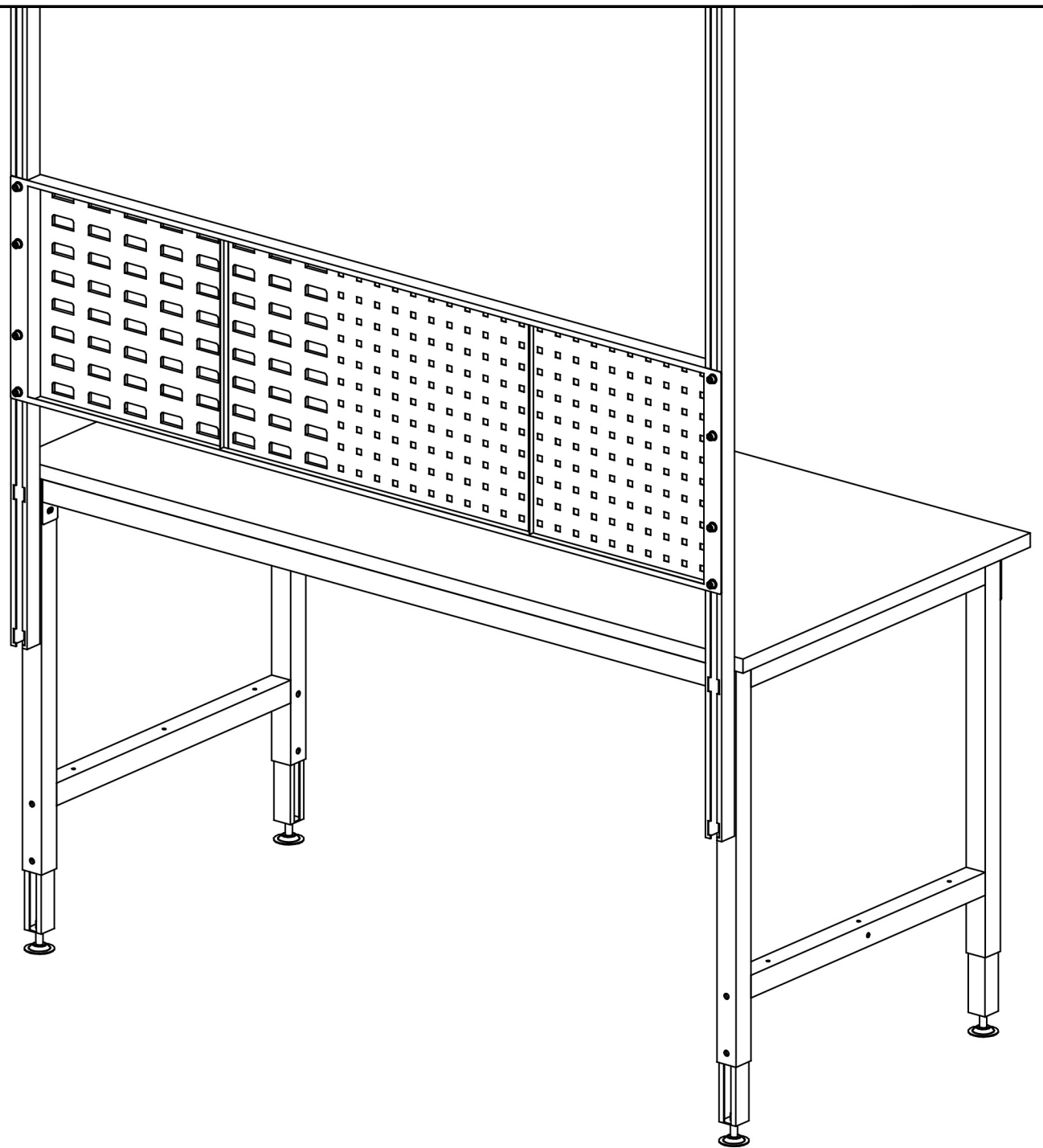
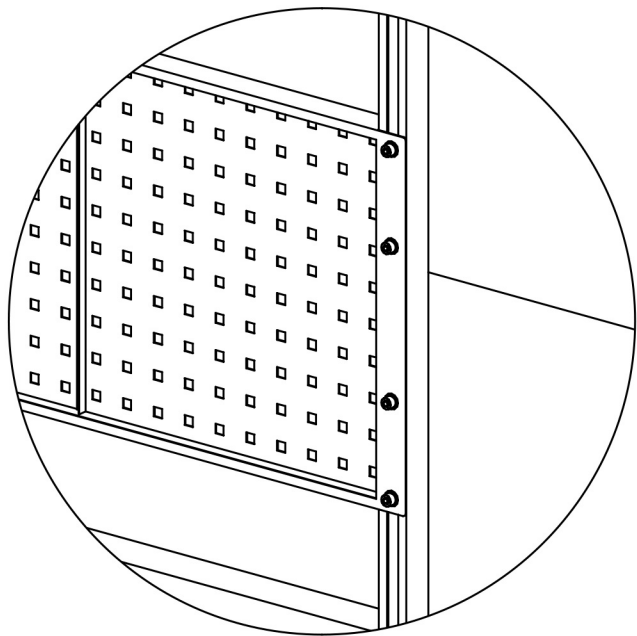
15

Panel installation



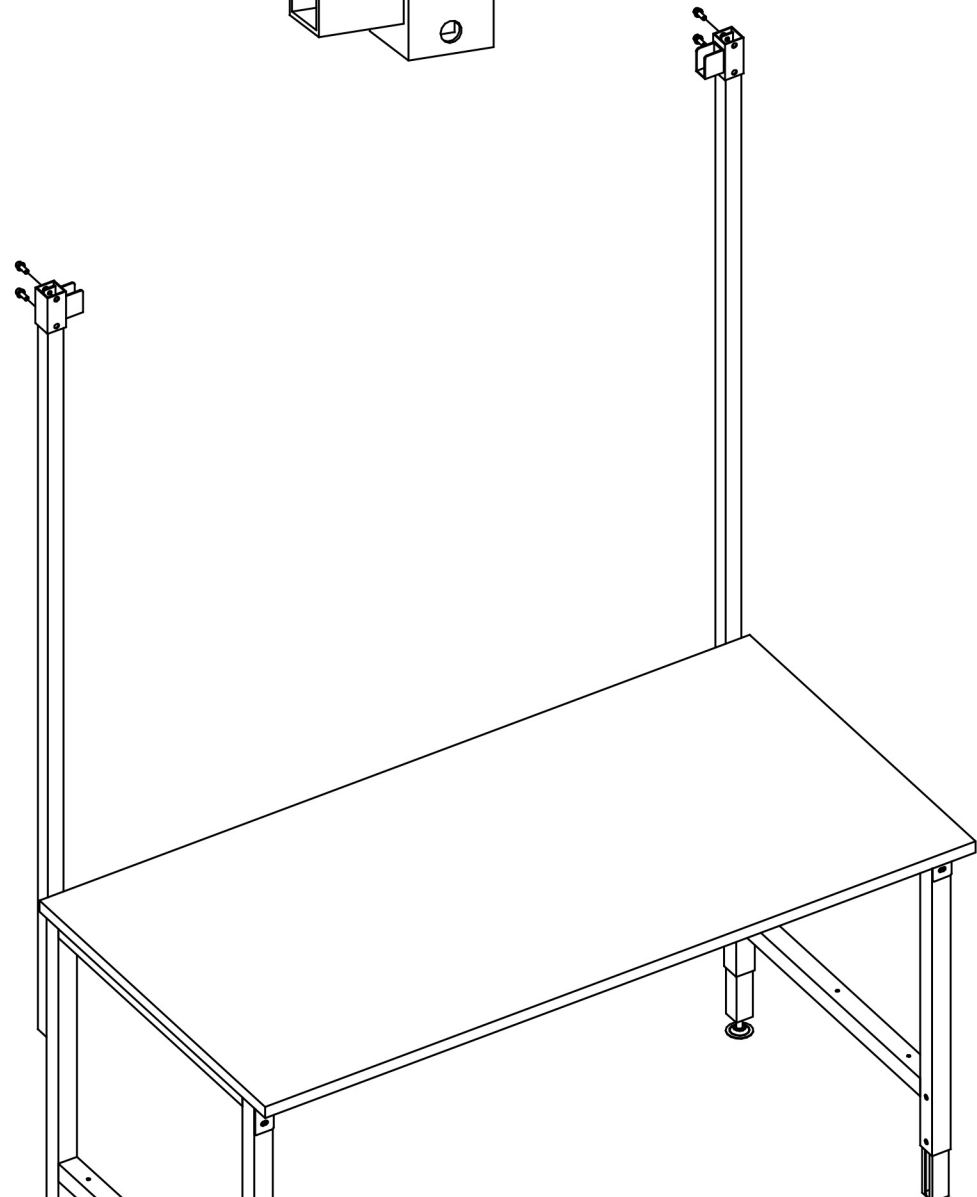
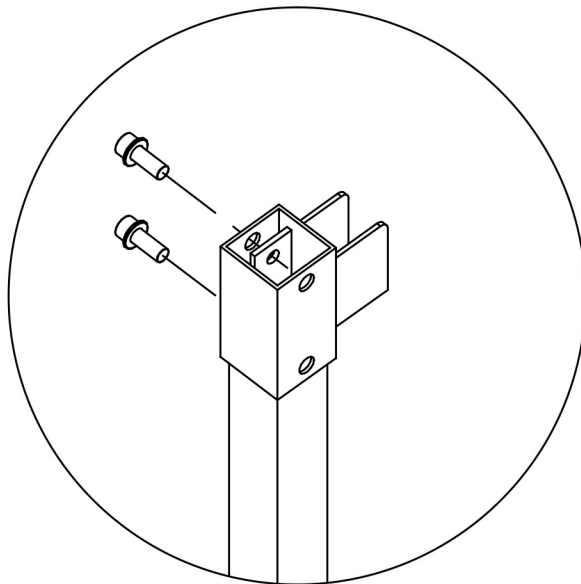
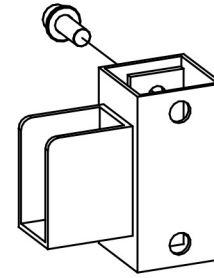
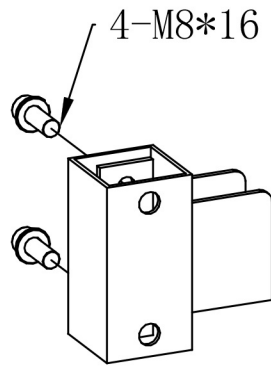
16

Fixed the panel



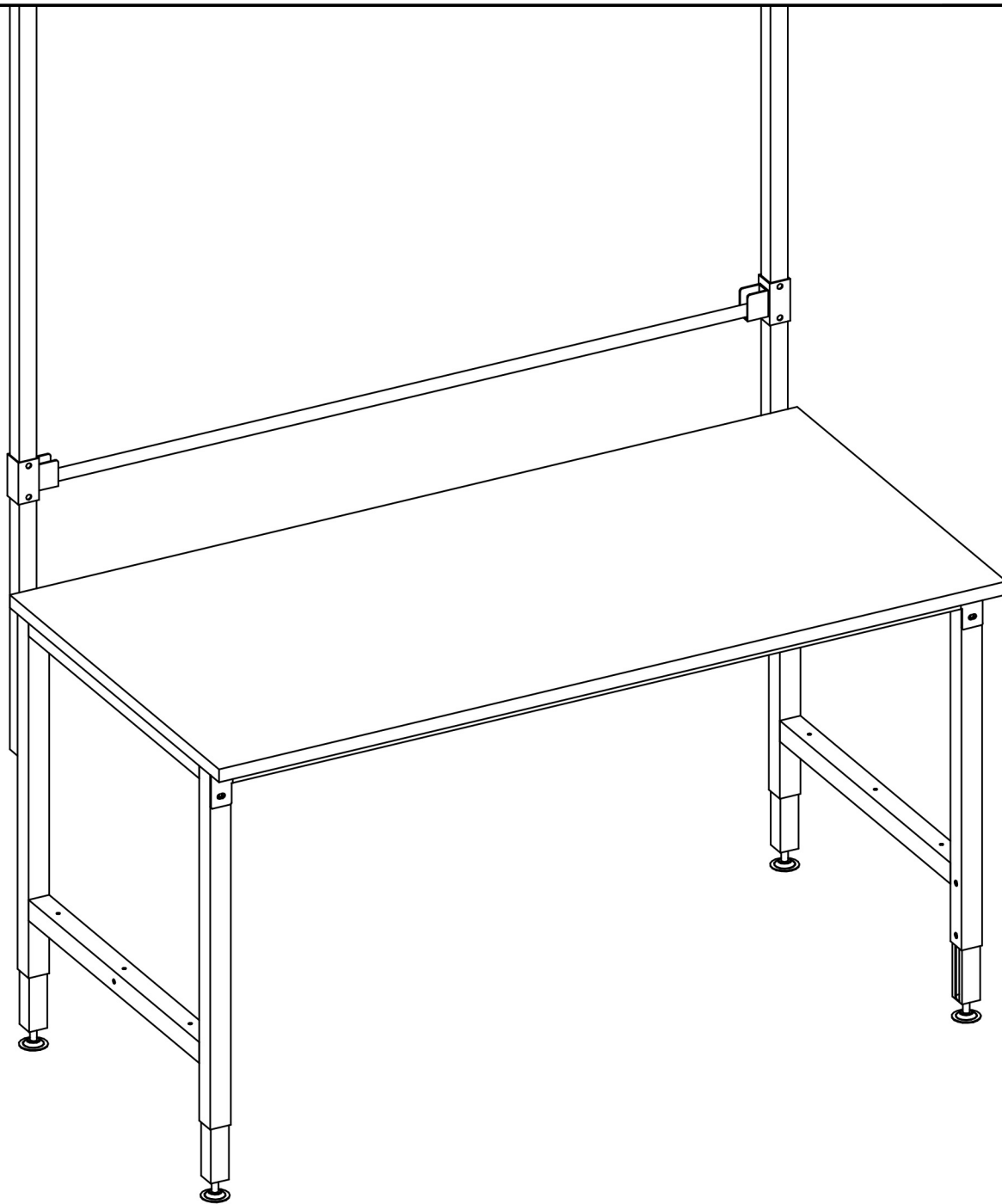
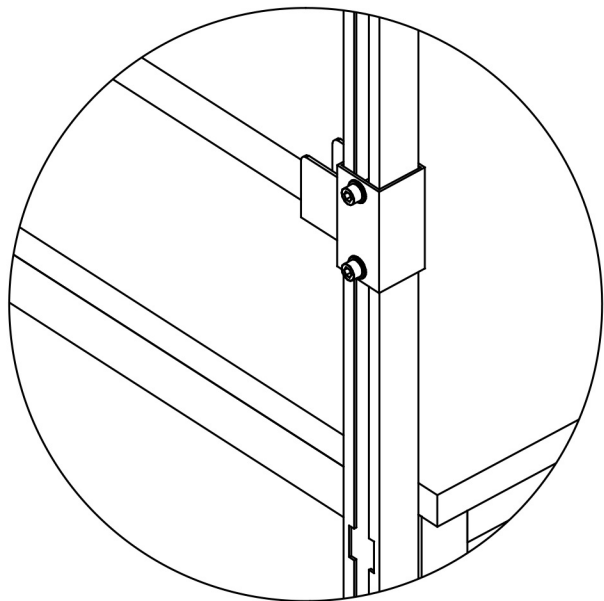
17

Brackets installation belong to upper package roller



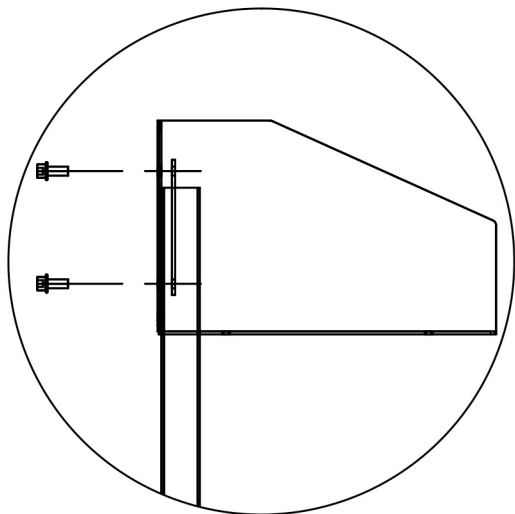
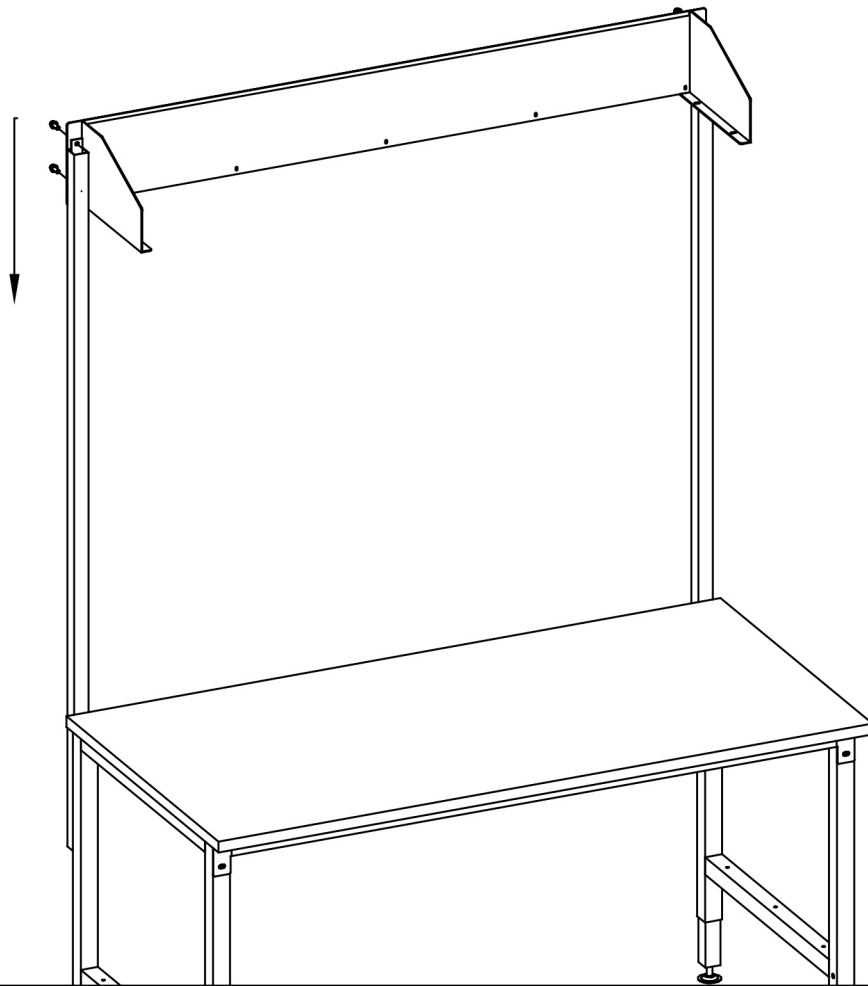
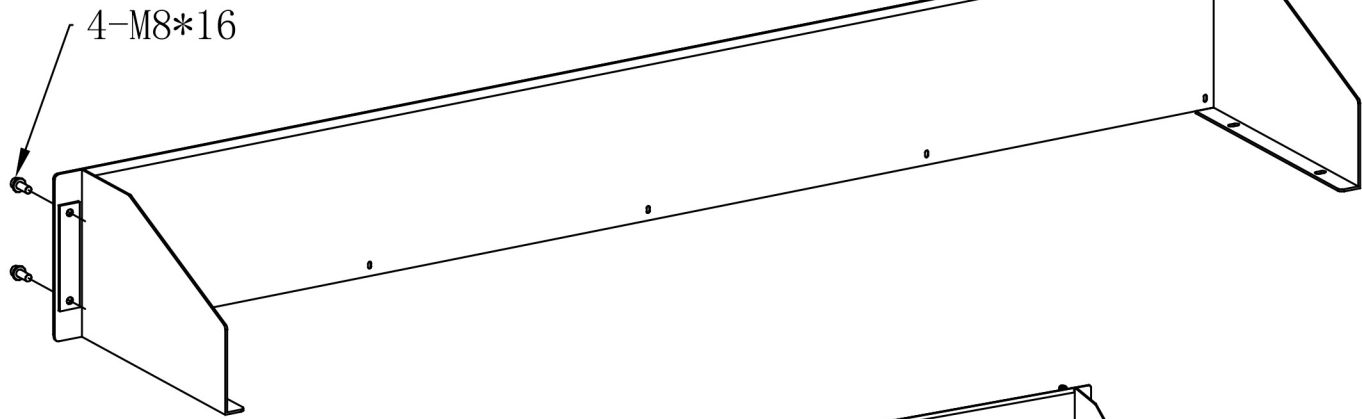
18

Upper package roller



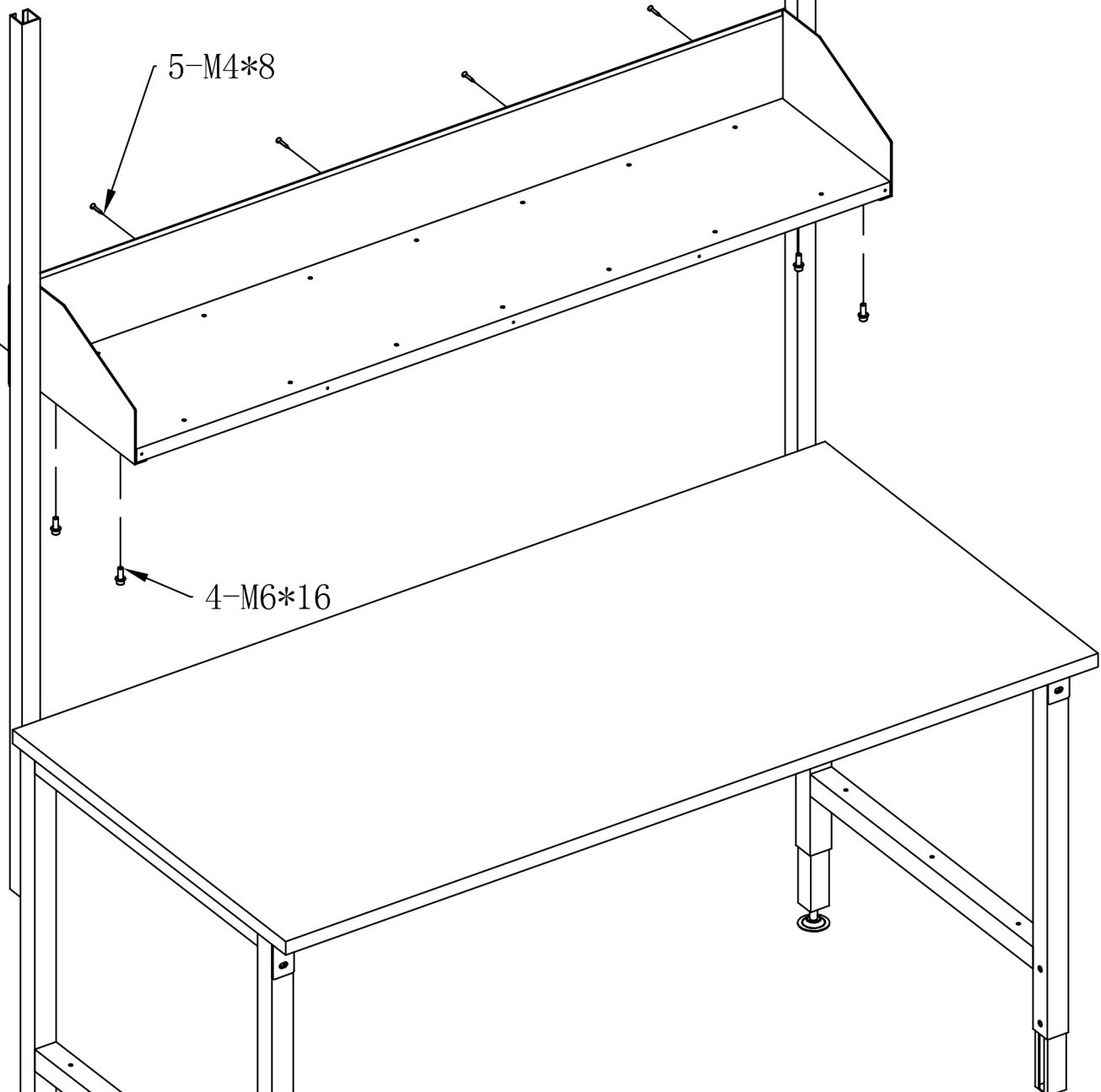
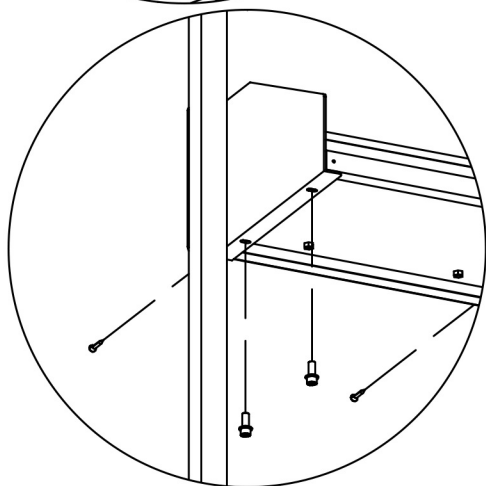
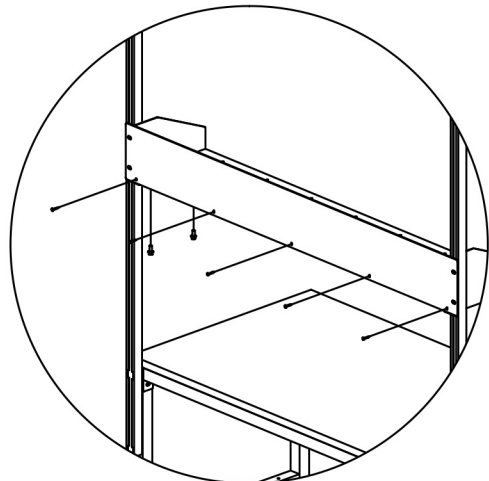
19

Upper covered shelf installation 1st step



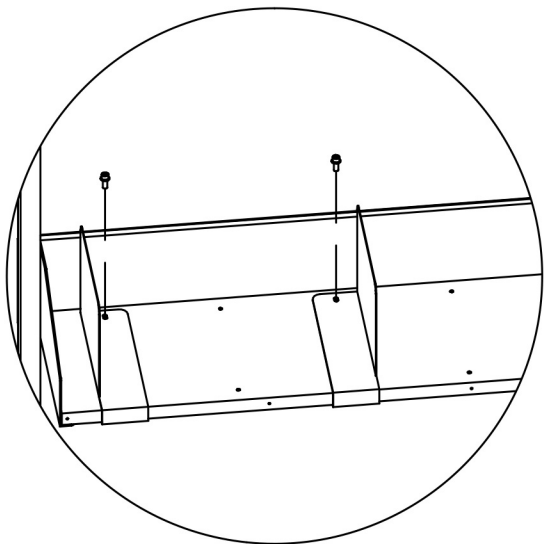
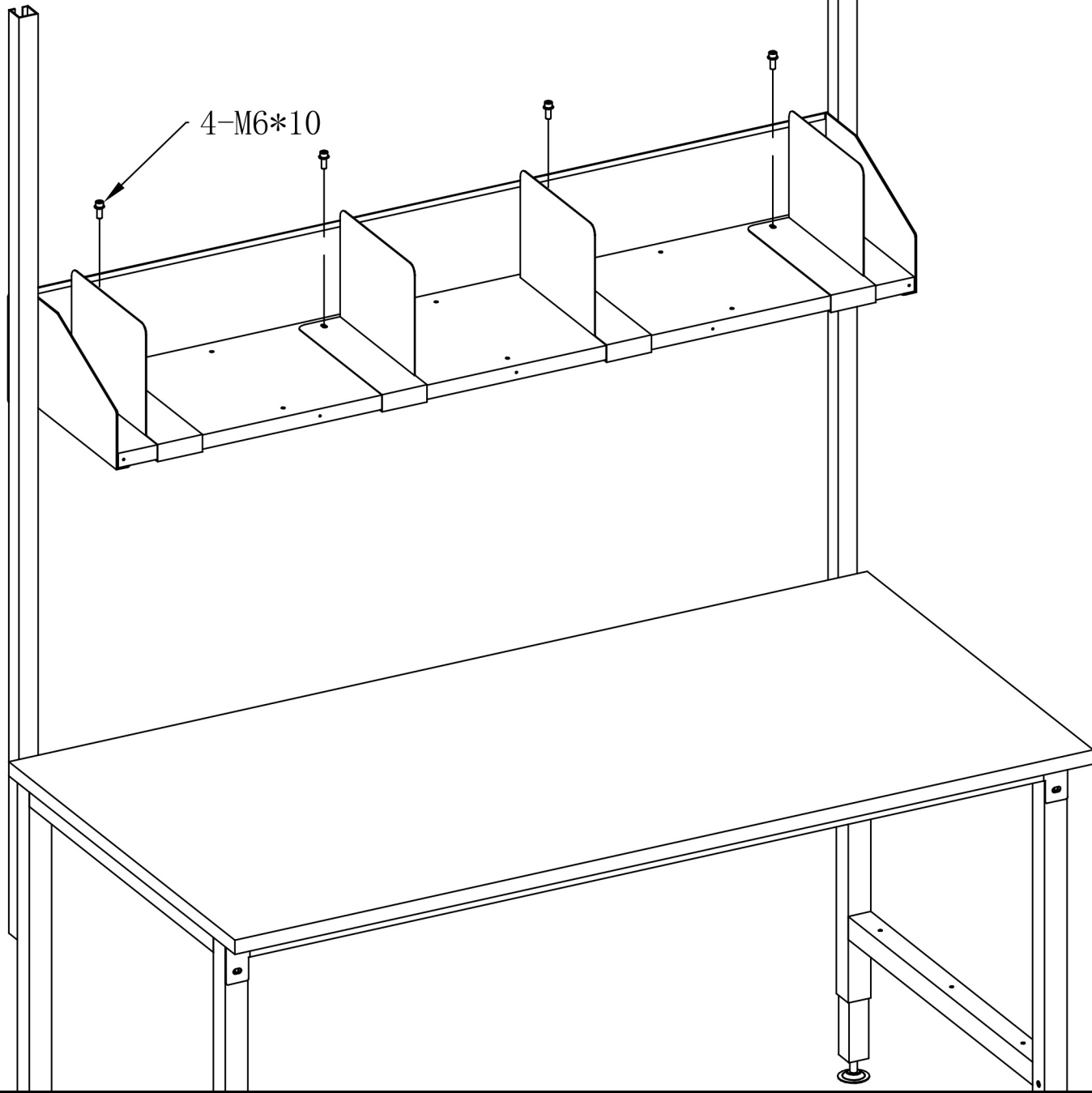
20

Upper covered shelf installation 2nd step



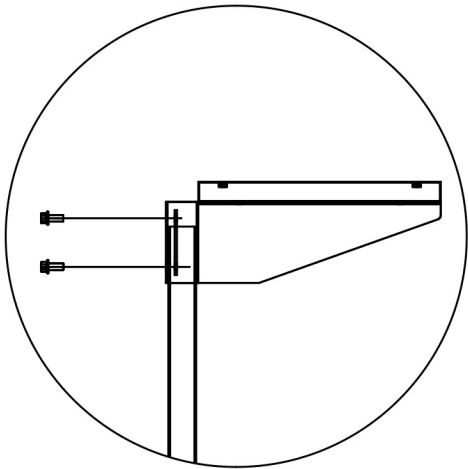
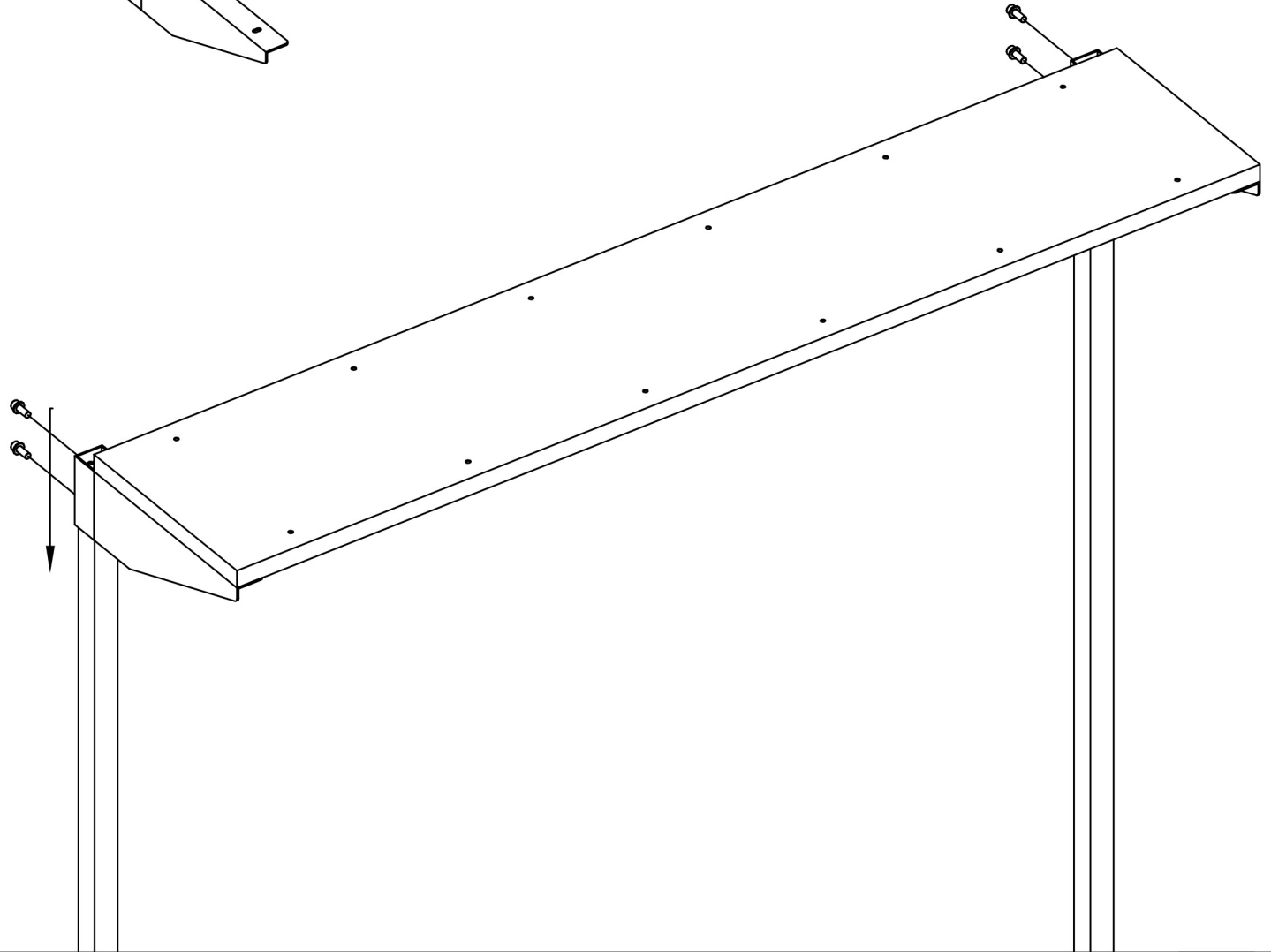
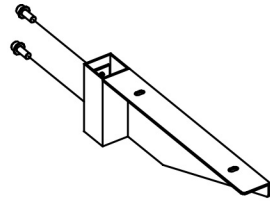
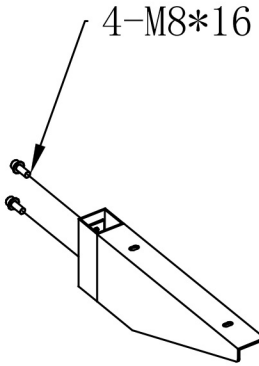
21

Smaller dividers fixing



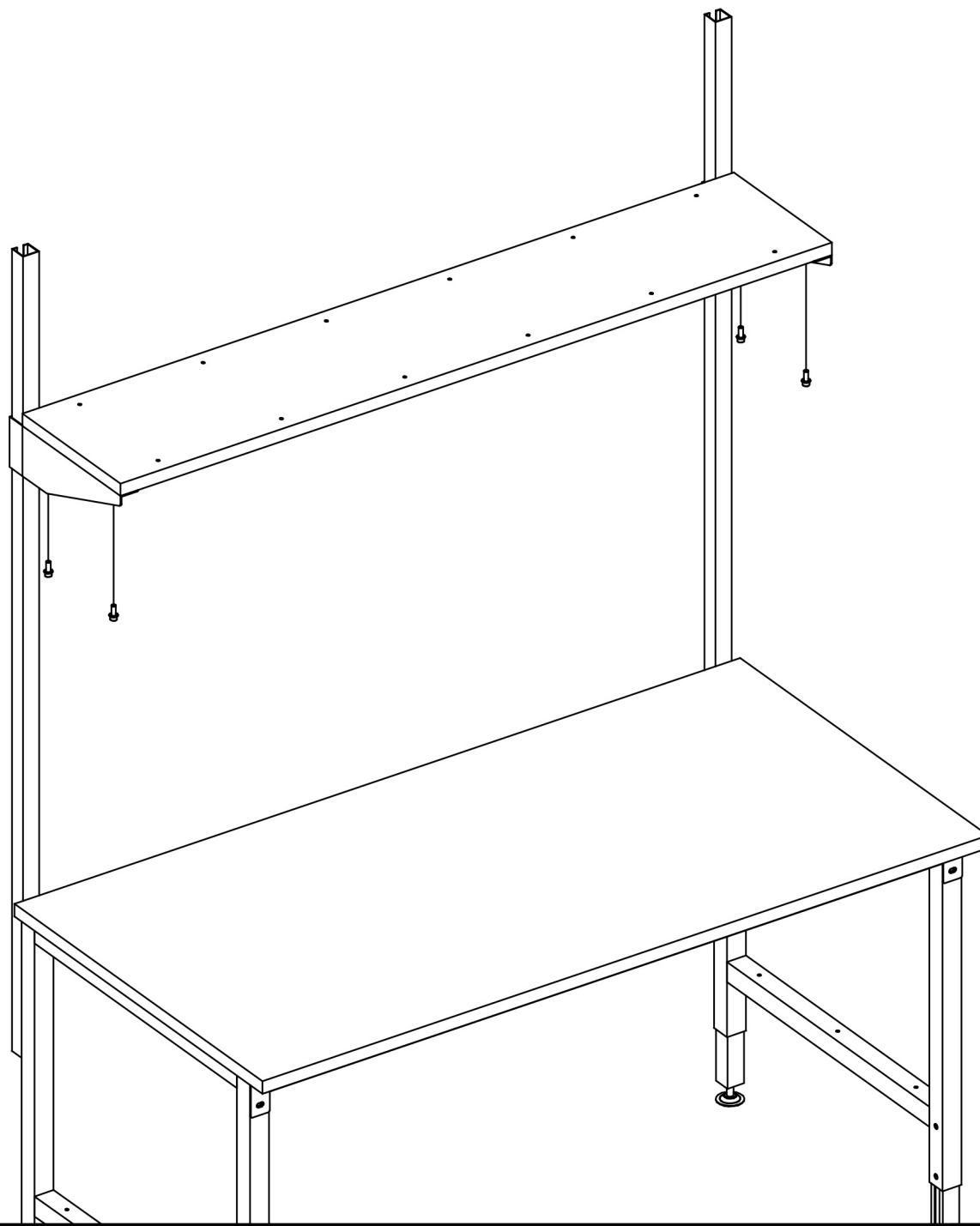
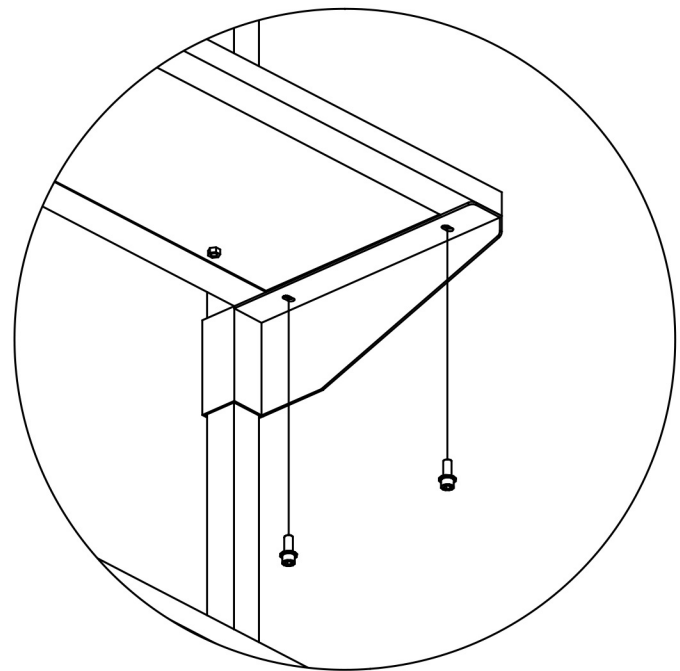
22

Upper shelf installation with left and right side brackets



23

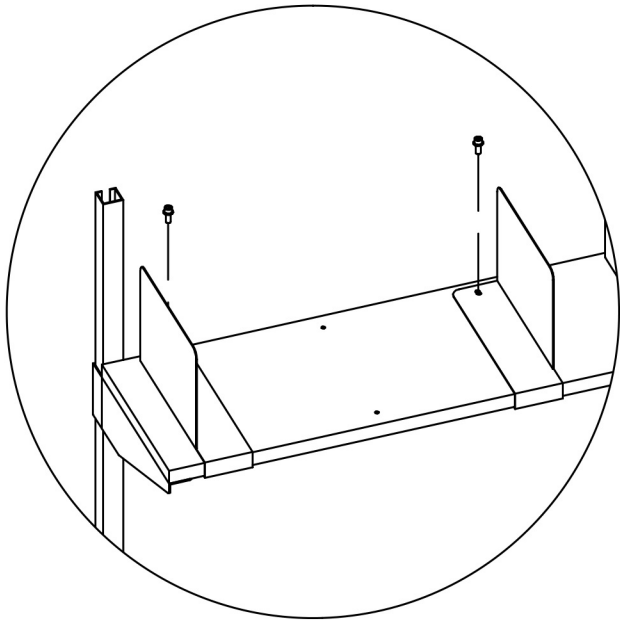
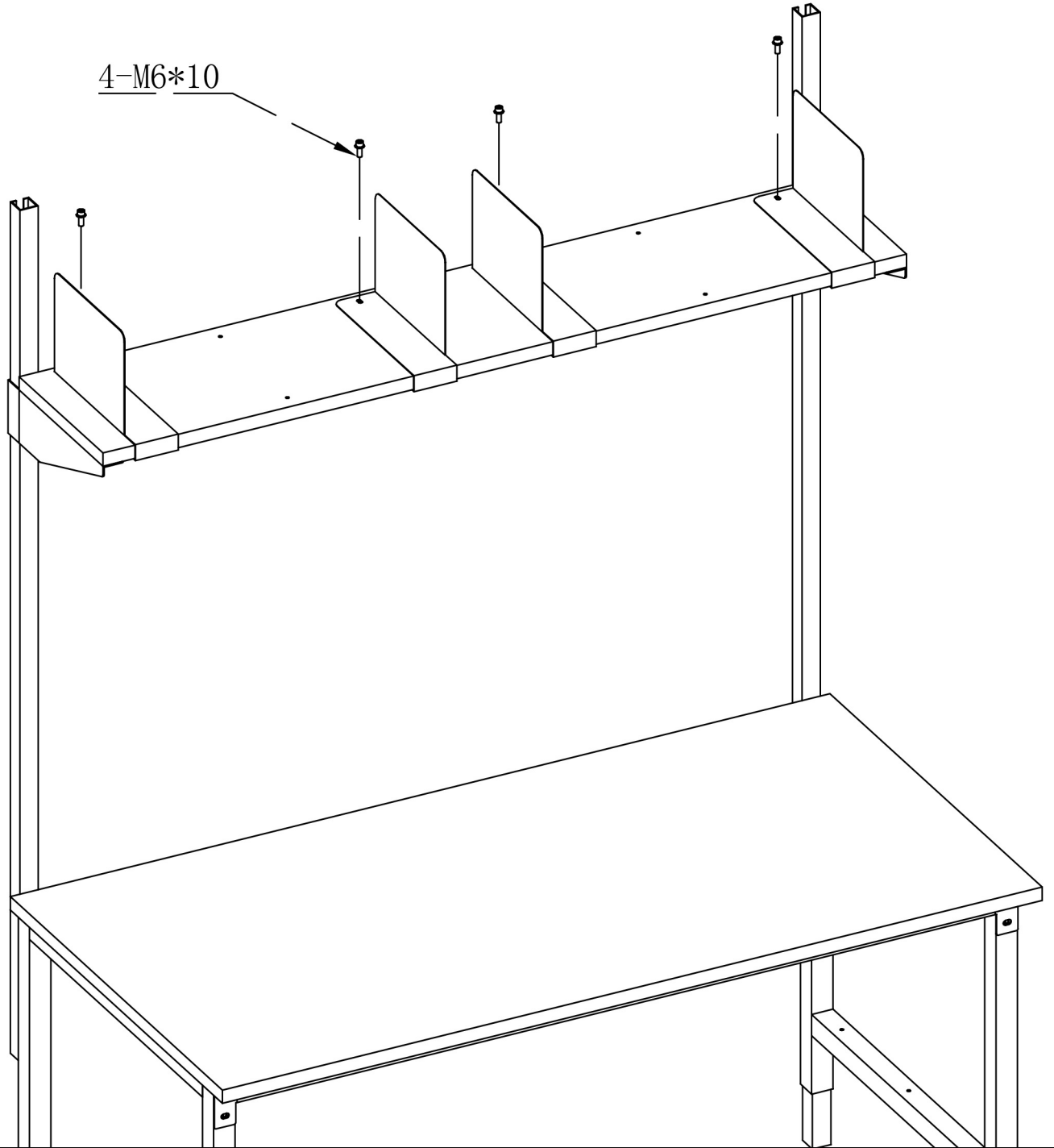
Fixed upper shelf



24

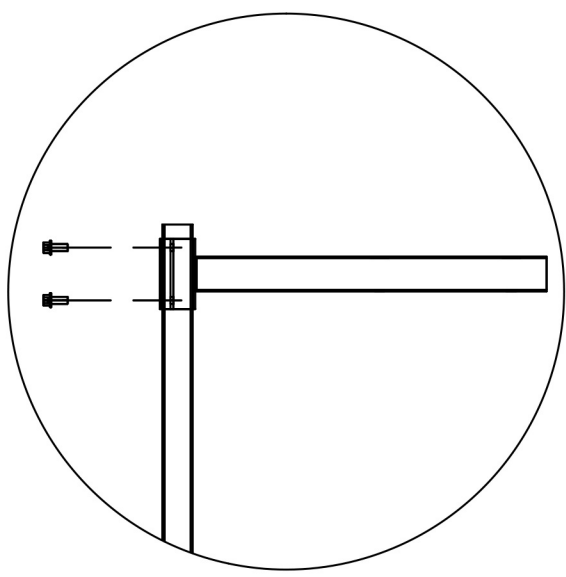
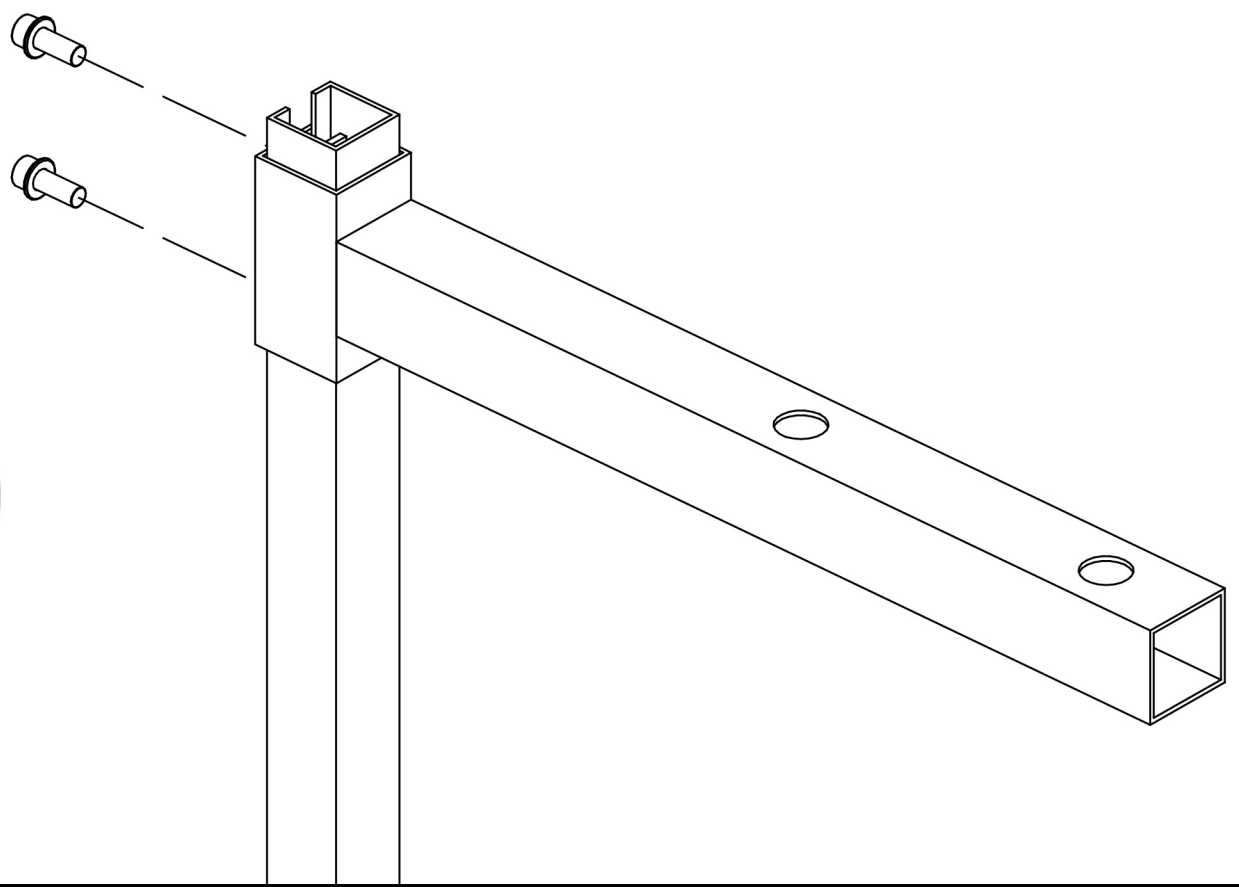
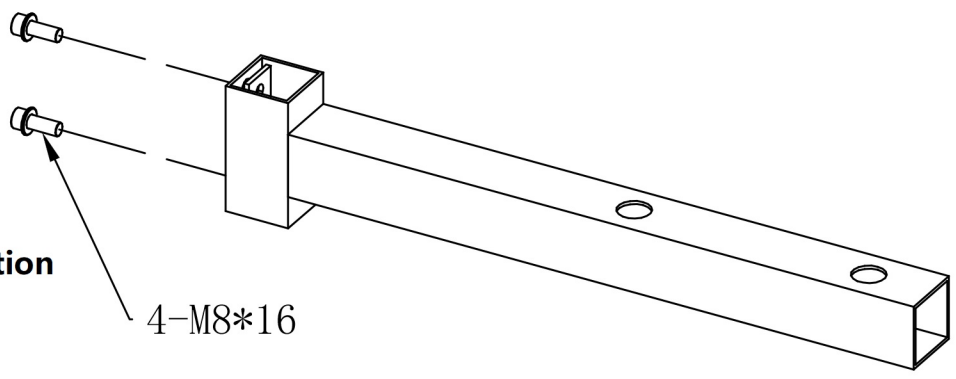
Smaller dividers fixing

4-M6*10



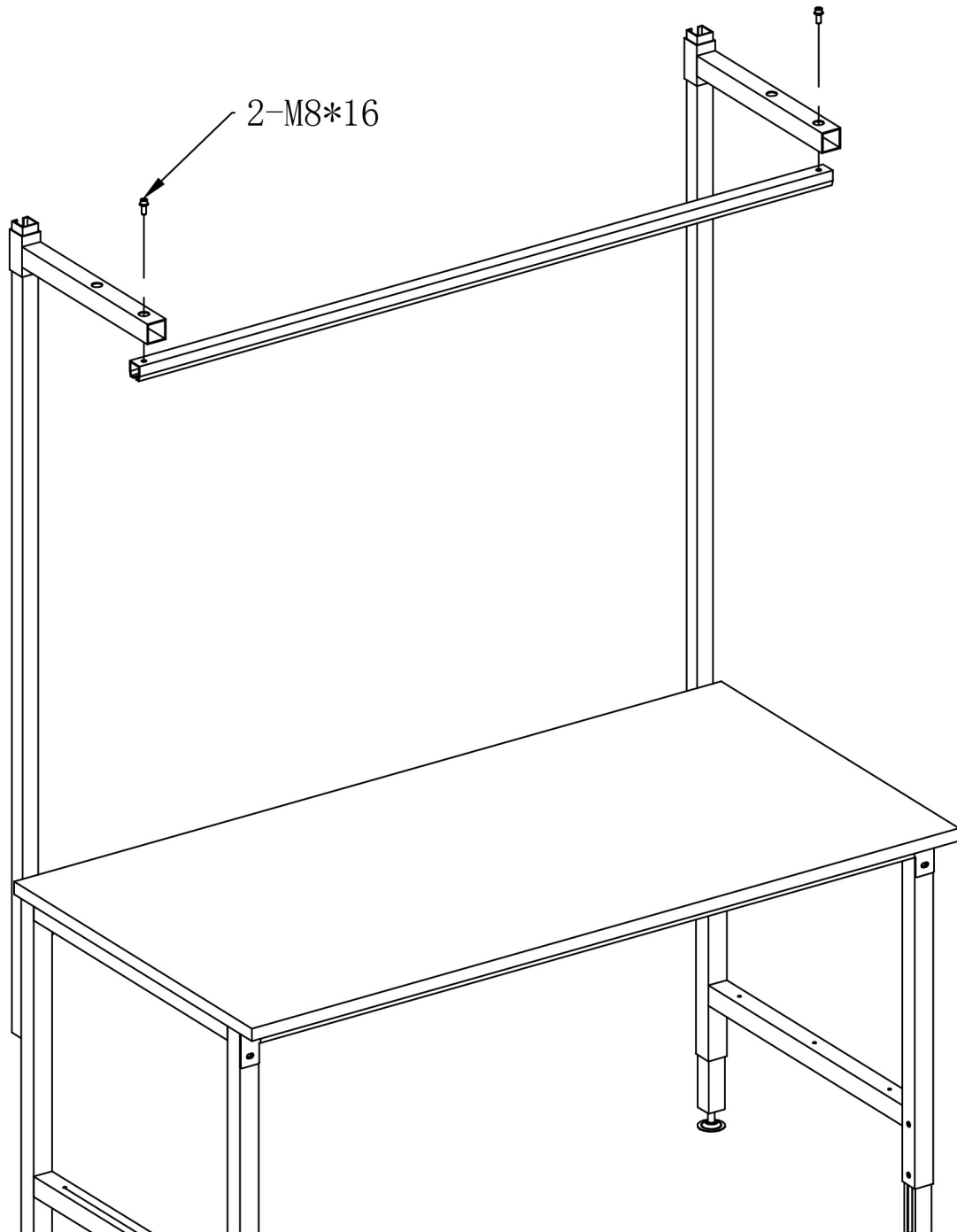
25

left and right side light supports installation



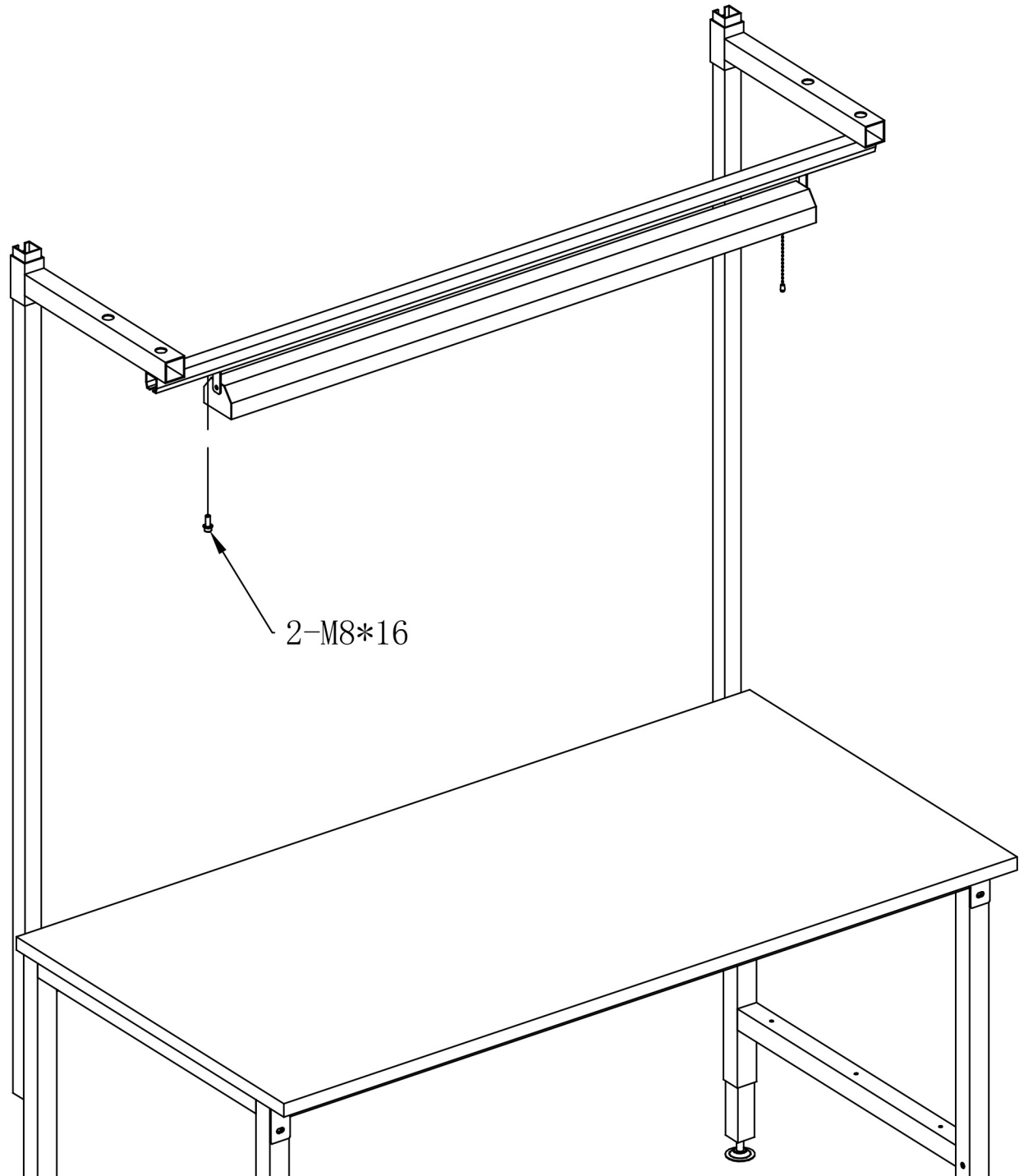
26

Light beam fixing



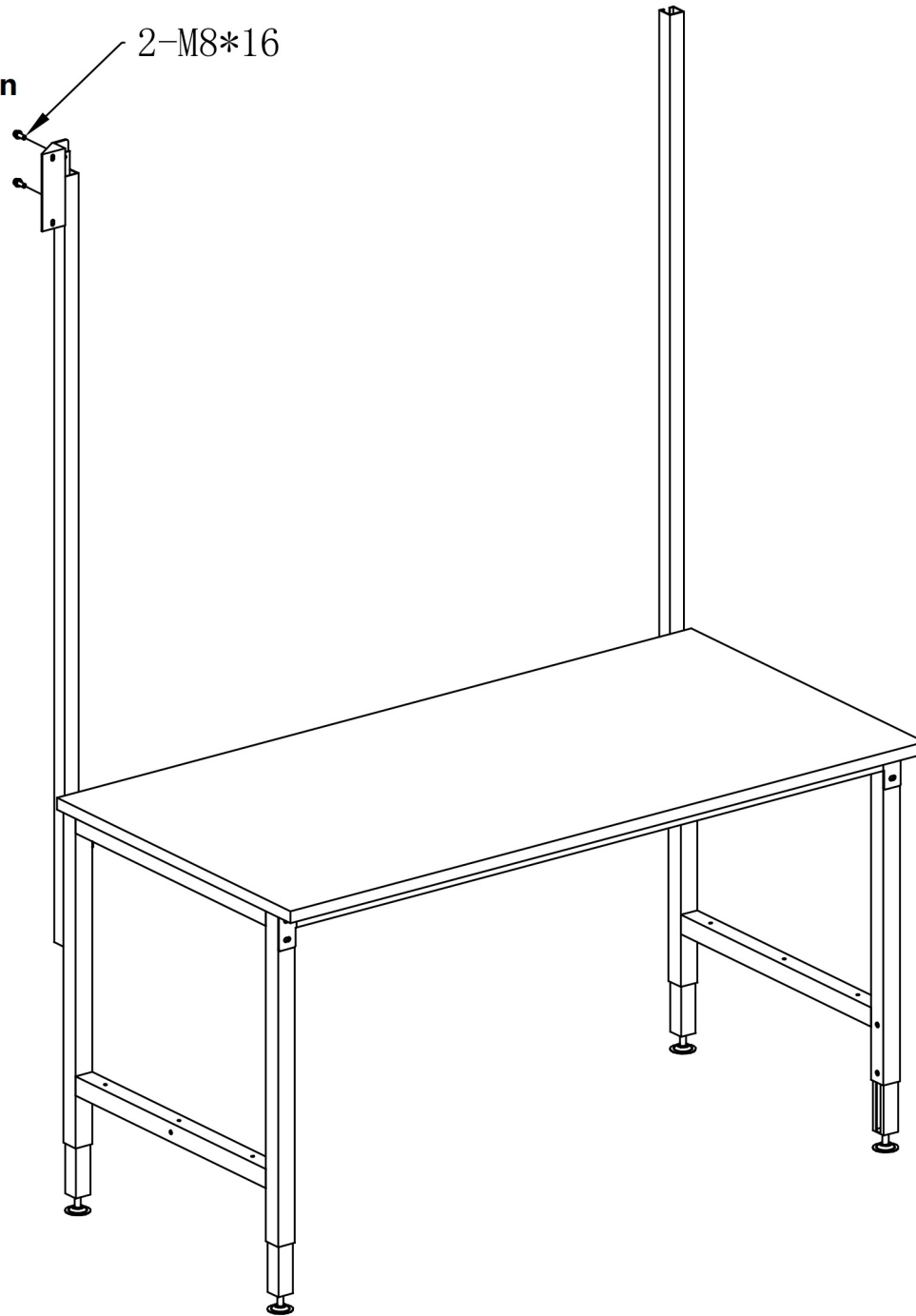
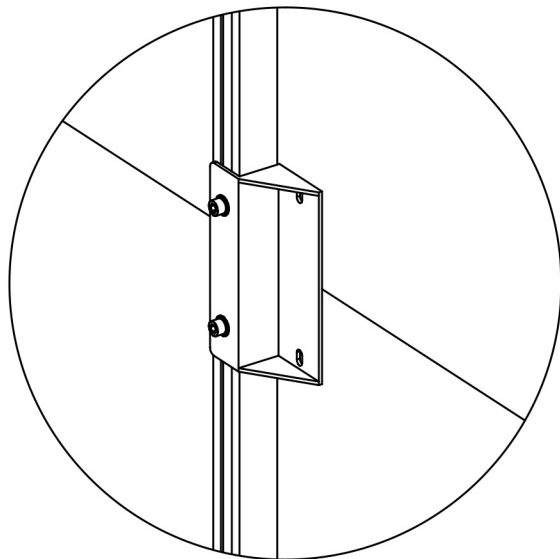
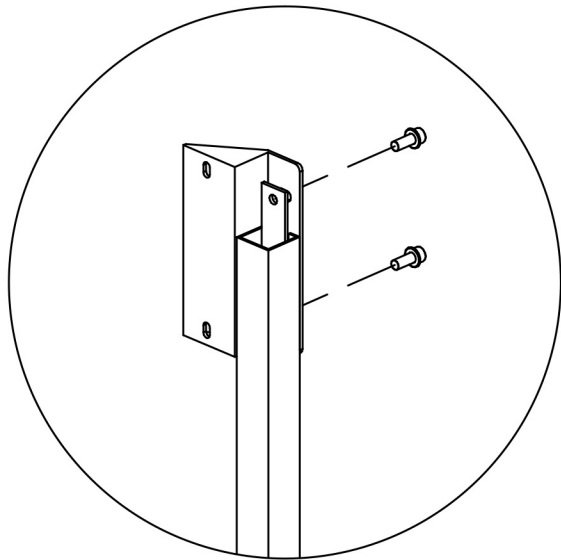
27

LED light fixing



28

Computer screen racking brackets installation



29

Computer screen racking fixing

