

ELECTRIC 4WD WINCH

(Permanent Magnet Motor)

Manual Instruction

- *Winch 3000lbs*
- *Winch 3500lbs*
- *Winch4000lbs*
- *Winch 4500lbs*



Easy Off-Roading Adventure Starts From Our Winch.

ELECTRIC ATV/UTV CABLE WINCH

Thank you for purchasing 3000lbs/3500lbs/4000lbs/4500lbs electric winch from us. Please read and understand this winch manual instruction before installing and using your winch.

General Description

Each winch is equipped with a permanent magnet motor and is designed for intermittent duty general use. Please be noted your winch are not designing to be used in industrial or hoisting applications, winch manufacturer goes not warrant it to be suitable for such usage. Free spool clutch is operated by a pull and turn knob winch disengages the gear box to allow the steel cable be pulled out without using electric power. A tension plate reduces backlash and snarling when pulling out the wire rope.

General Safety Information

1. Never lift people or hoist loads over people. Do not lift items vertically. The winch was designed for horizontal use only.
2. Do not overload. For loads over 1000lbs/1250lbs/1500lbs, we would like to recommend you use the optional pulley block to double line the wire rope.
3. Do not attempt to prolonged pulls at heavy loads. The electric winch is designed for intermittent use only, and should not be used in a constant duty application. The duration of the pulling job should be kept as short as possible. If the winch motor becomes too hot to touch, stop the winch and let it cool down for several minutes. Never pull more than one minute at or near the rated load.
4. Never winch less than 5 turns of wire rope around the winch drum since the wire rope end fastener may not withstand full load.
5. Avoid continuous pulls from extreme angles as this will cause the wire rope to pile up on one end of the drum. This can jam the wire rope in the winch, causing damage to the rope or the winch.
6. Be sure the input voltage between the terminals of motor is always DC 12V or DC 24V in order to reach the max rated line pull during the operation, and please be noted that it only could reach the max rated line pull by first layer of cable around the drum when pulling the loads.
7. Never hook the wire rope back to itself as it would damage the wire rope, a nylon sling is better.
8. Be sure the winch mounted on the vehicle or other objective before operation.
9. When moving a load, slowly take up the wire rope slack until it becomes taut. Stop, recheck all winching connections. Be sure the hook is properly seated. If a nylon sling is used, check the attachment to the load.
10. It is a good idea to lay a heavy blanket or jacket over the wire rope near the hook end when pulling heavy loads. If a wire rope failure should occur, the cloth will act as a damper and help prevent the rope from whipping.
11. Do not move your vehicle to assist the winch in pulling the load. The combination of the winch and vehicle pulling together could overload the wire rope and the winch.

For further information please contact the nearest winch distributor.

ELECTRIC ATV/UTV CABLE WINCH

12. Never work on or around the winch drum when winch is under load. (Keep away the winch at least 1.5m during the operation.)
13. Do not cross over or under the wire rope when the winch is under load.
14. When using your winch to move a load, place the vehicle engine should be running during winch operation. If considerable winching is performed with the engine off, the battery may be too weak to restart the engine.
15. Never release free spool clutch when there is a load on the winch.
16. After operation, please release the load. Do not allow the cable tight any more.
17. Always stand clear of wire rope, hook and winch.
18. Inspect wire rope and equipment frequently. A frayed wire rope with broken strands should be replaced immediately. Use only factory approved switches, remote controls and accessories. Use heavy leather gloves when handling wire rope. Do not let wire rope slide through your hands.
19. Keep clear of winch, taut wire rope and hook when operation winch. Never put your finger through the hook. If your finger becomes trapped in the hook, you could lose your finger. Always use the safe strap when guiding the wire rope in or out.
20. After operated the winch, re-spool the cable around the drum tightly.
21. Do not operate winch when under the influence of drugs, alcohol or medication. Always stay alert during the operation.
22. Use eye and ear protection. Always wear impact safety goggles. Wear a full face shield if you are producing metal filings or wood chips. Wear a dust mask or respirator when working around metal, wood, and chemical dusts and mists.
23. Do not machine or weld any part of the winch. Such alterations may weaken the structural integrity of the winch and could void your warranty.
24. Make some maintenance frequently for the winch.

Installation

Correct installation of your winch is required for proper operation.

1. Mount the winch on your vehicle or other object using screw M8 X 30. Lockwasher, washer-flat offered. Other similar screw can be instead.
WARNING: This winch must be mounted with the wire rope under wind direction. Improper mounting could damage your winch and void your warranty.
2. Route the two couple of lines from the switch to the motor and battery respectively. Connect the red line to the positive (+) terminal and the green (or black) line to the negative (-) terminal of the 12V / 24V battery. Connect the rest two lines to the terminal on the motor of the electric winch.
3. Check the direction of the drum turning.
Pull and turn the clutch knob to the "OFF" position (drum can be turning free). Pull out the cable from the drum then engaged the clutch by turning the knob to the "IN" position. Push the cable "cable in" button on the hand held, if the cable is re-spooling then it is right way for connected. Otherwise please change the line connected the motor. And repeat the abovementioned operation.

For further information please contact the nearest winch distributor.

ELECTRIC ATV/UTV CABLE WINCH

Operation

1. Pull and turn the clutch knob to the "Off" position, so the drum can turn free by hand.
2. Grab the cable assembly hook and pull the cable to the desired length by hand saver bar. Then attach to item being pulled.
WARNING: Check that there are at least five turns of wire rope left on drum before operation.
3. Engaged the clutch by turning the clutch knob to the "In" position.
WARNING: Clutch must be fully engaged before winching. Never engage clutch knob while drum is turning. The clutch knob has been adjusted and permanently locked in place with a thread locking compound at the factory. Do not attempt to re-adjust the knob.
4. Push and hold the "Cable In" button on the handheld and the cable was re-spooled. Push and hold the "Cable Out" button to reverse directions. Wait until the motor stops before reversing directions.
5. Re-spooling cable after finished operation.

Maintenance

1. Periodically check tightness of mounting bolts and electrical connections. Remove all the dirt of corrosion that may have accumulated on the electrical connections.
2. Do not attempt to disassembly the gearbox. Disassembly will void warranty, Repairs should be done manufacturer or authorized repaired center.
3. The gearbox having been lubricated using high temperature lithium grease at the factory. No internal lubrication is required.

Replace the Wire Rope

1. Engaged the clutch by turning the clutch knob to the "In" position.
2. When inserting the wire rope into the drum, insert it into the correct end of the hole provided. Tighten the set screw securely.
3. Operate the winch and re-spool the wire rope around the drum.
CAUTION: Always replace damaged wire rope with manufacturer's identical replacement part.

For further information please contact the nearest winch distributor.

ELECTRIC ATV/UTV CABLE WINCH

Electric 4WD Winch 3000LBS Performance Specification

| | |
|-------------------------|--------------------------|
| Performance Voltage | DC 12V / 24V |
| Rate Pull (Single Line) | 3000lbs(1361kgs) |
| Motor | 0.9 KW, Permanent Magnet |
| Remote Control Cable | 3m |
| Gear Reduction Ratio | 136: 1 |
| Braking Action | Dynamic |
| Wire Rope | Ø4.8mm * 12m |
| Fairlead | 4-Way Roller Fairlead |
| Wireless Remote Control | Optional |
| NW/GW | 26/28kg(2PCS) |
| Shipping Carton Size | 42*30*36cm(2PCS) |

Performance Data

| Line Pull (lbs/bgs) | Line Speed (ft/min, m/min) | Motor Current (amps) | Pull by Layer layer/lbs(kgs) |
|---------------------|-------------------------------|----------------------|---------------------------------|
| 0 | (ft/min, m/min) | 11 | layer/lbs(kgs) |
| 500 | 9.5(2.9) | 30 | 1/3000(1361) |
| 1000 | 9.2(2.8) | 40 | 2/2640(1198) |
| 1500 | 8.5(2.6) | 60 | 3/2320(1052) |
| 2000 | 7.9(2.4) | 70 | 4/2040(925) |
| 2500 | 7.2(2.2) | 80 | |
| 3000 | 6.6(2.0) | 95 | |
| | 5.2(1.6) | | |

For further information please contact the nearest winch distributor.

ELECTRIC ATV/UTV CABLE WINCH

Electric 4WD Winch 3500LBS Performance Specification

| | |
|-------------------------|-------------------------|
| Performance Voltage | DC 12V / 24V |
| Rate Pull (Single Line) | 3500lbs(1588kgs) |
| Motor | 1.1KW, Permanent Magnet |
| Remote Control Cable | 3m |
| Gear Reduction Ratio | 136: 1 |
| Braking Action | Dynamic |
| Wire Rope | ∅ 5.5mm * 10m |
| Fairlead | 4-Way Roller Fairlead |
| Wireless Remote Control | Optional |
| NW/GW | 24/26kg(2PCS) |
| Shipping Carton Size | 42*30*36cm(2PCS) |

Performance Data

| Line Pull (lbs/kgs) | Line Speed (ft/min, m/min) | Motor Current (amps) | Pull by Layer |
|---------------------|----------------------------|----------------------|----------------|
| 0 | (ft/min, m/min) | 11 | layer/lbs(kgs) |
| 500 | 9.5(2.9) | 30 | 1/3500(1590) |
| 1000 | 9.2(2.8) | 40 | 2/2640(1198) |
| 1500 | 8.5(2.6) | 60 | 3/2320(1052) |
| 2000 | 7.9(2.4) | 70 | 4/2040(925) |
| 2500 | 7.2(2.2) | 80 | |
| 3000 | 6.6(2.0) | 95 | |
| 3500 | 5.2(1.6) | 180 | |
| | 4.6(1.4) | | |

For further information please contact the nearest winch distributor.

ELECTRIC ATV/UTV CABLE WINCH

Electric 4WD Winch 4000LBS Performance Specification

| | |
|-------------------------|-------------------------|
| Performance Voltage | DC 12V / 24V |
| Rate Pull (Single Line) | 4000lbs(1814kgs) |
| Motor | 1.3KW, Permanent Magnet |
| Remote Control Cable | 3m |
| Gear Reduction Ratio | 136: 1 |
| Braking Action | Dynamic |
| Wire Rope | Ø 5.5mm * 10m |
| Fairlead | 4-Way Roller Fairlead |
| Wireless Remote Control | Optional |
| NW/GW | 24/26g(2PCS) |
| Shipping Carton Size | 42*30*36cm(2PCS) |

Performance Data

| Line Pull (lbs/bgs) | Line Speed (ft/min, m/min) | Motor Current (amps) | Pull by Layer layer/lbs(kgs) |
|------------------------|-------------------------------|-------------------------|---------------------------------|
| 0 | 19.8(6.0) | 11 | 1/4000(1814) |
| 500 | 14.8(4.5) | 30 | 2/3520(1600) |
| 1000 | 10.9(3.3) | 40 | 3/3098(1408) |
| 1500 | 9.2(2.8) | 60 | 4/2726(1239) |
| 2000 | 7.6(2.3) | 70 | |
| 2500 | 6.9(2.1) | 80 | |
| 3000 | 5.9(1.8) | 95 | |
| 3500 | 5.3(1.6) | 180 | |
| 4000 | 3.6(1.1) | 310 | |

For further information please contact the nearest winch distributor.

ELECTRIC ATV/UTV CABLE WINCH

Electric 4WD Winch 4500LBS Performance Specification

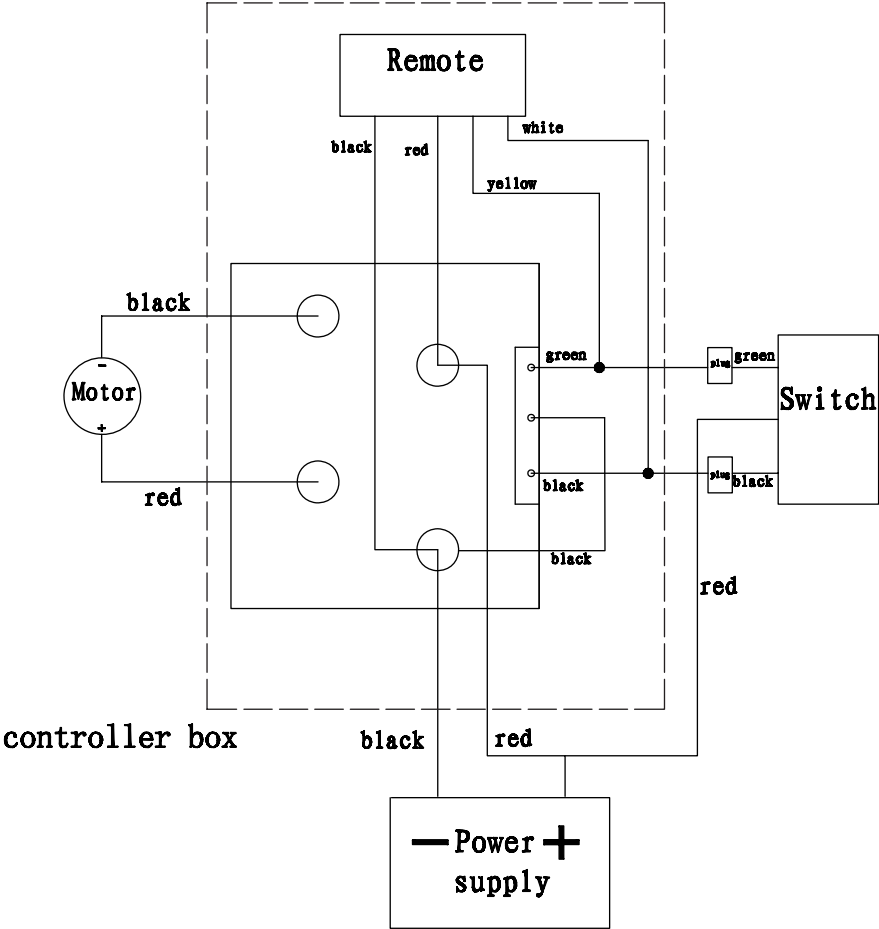
| | |
|-------------------------|-------------------------|
| Performance Voltage | DC 12V / 24V |
| Rate Pull (Single Line) | 4500lbs(2041 kgs) |
| Motor | 1.5KW, Permanent Magnet |
| Remote Control Cable | 3m |
| Gear Reduction Ratio | 136: 1 |
| Braking Action | Automatic in the drum |
| Wire Rope | ∅ 6.3mm * 10m |
| Fairlead | 4-Way Roller Fairlead |
| Wireless Remote Control | Optional |
| NW/GW | 24/26g(2PCS) |
| Shipping Carton Size | 42*30*36cm(2PCS) |

Performance Data

| Line Pull (lbs/bgs) | Line Speed (ft/min, m/min) | Motor Current (amps) | Pull by Layer layer/lbs(kgs) |
|------------------------|-------------------------------|-------------------------|---------------------------------|
| 0 | 19.8(6.0) | 11 | 1/4500(2041) |
| 500 | 14.8(4.5) | 30 | 2/3520(1600) |
| 1000 | 10.9(3.3) | 40 | 3/3098(1408) |
| 1500 | 9.2(2.8) | 60 | 4/2726(1239) |
| 2000 | 7.6(2.3) | 70 | |
| 2500 | 6.9(2.1) | 80 | |
| 3000 | 5.9(1.8) | 95 | |
| 3500 | 5.3(1.6) | 180 | |
| 4000 | 3.6(1.1) | 310 | |
| 4500 | 3.2(1.0) | 340 | |

For further information please contact the nearest winch distributor.

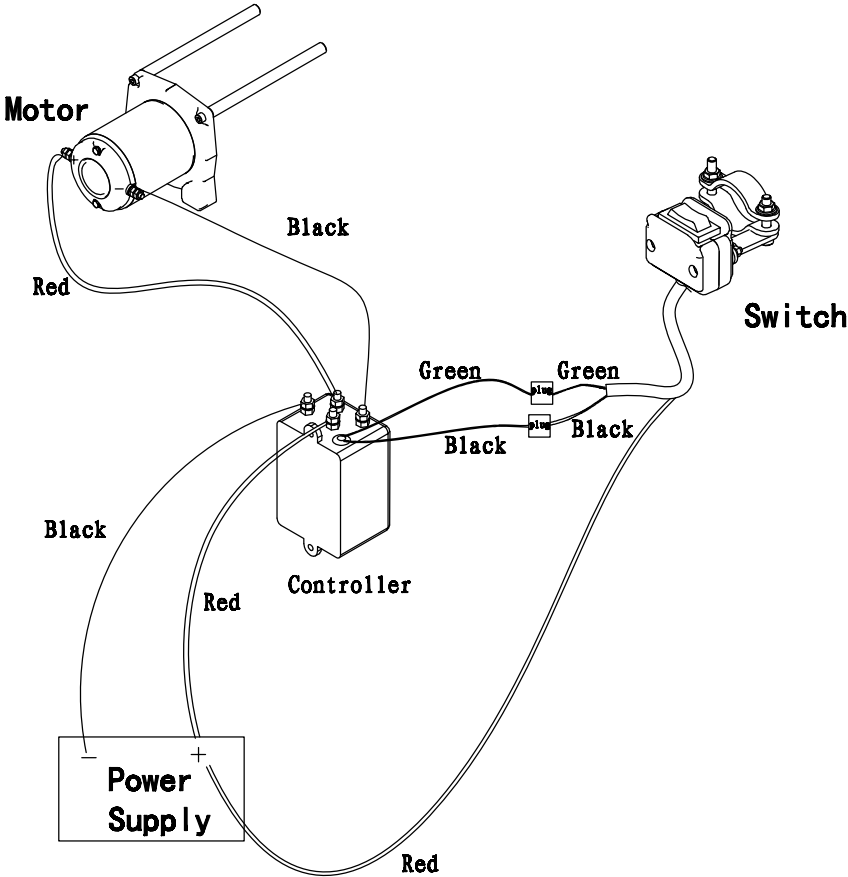
ELECTRIC ATV/UTV CABLE WINCH



For further information please contact the nearest winch distributor.

ELECTRIC ATV/UTV CABLE WINCH

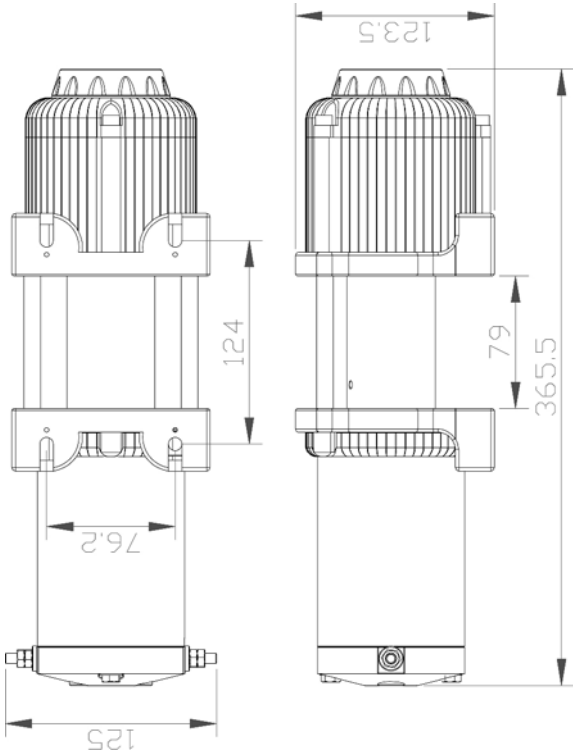
Electric 4WD Winch Assembly Drawing
Winch Assembly Drawing



For further information please contact the nearest winch distributor.

ELECTRIC ATV/UTV CABLE WINCH

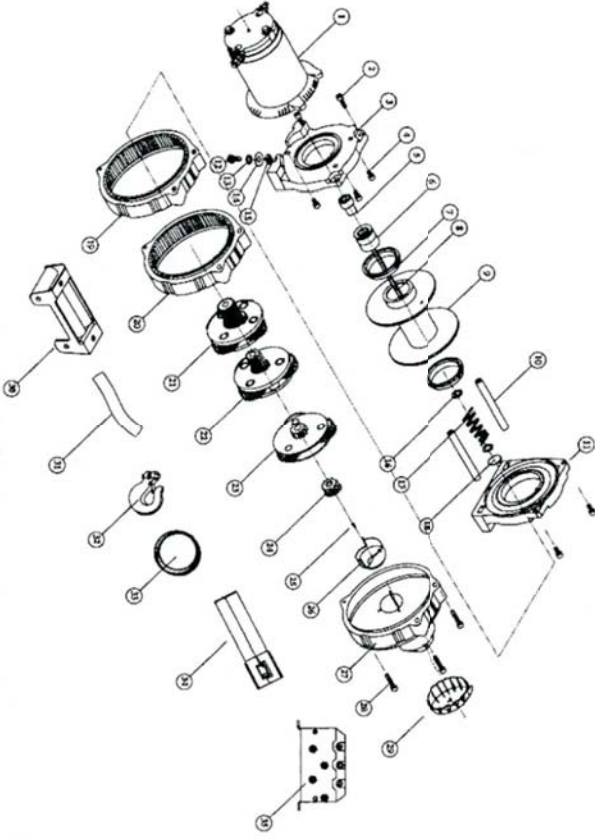
Electric 4WD Winch Overall Dimensions



For further information please contact the nearest winch distributor.

ELECTRIC ATV/UTV CABLE WINCH

Electric 4WD Winch Exploded Drawing



For further information please contact the nearest winch distributor.

ELECTRIC ATV/UTV CABLE WINCH

Electric 4WD Winch Spare Part List

| Item No. | Description | Qty |
|----------|-----------------------|-----|
| 1 | Motor | 1 |
| 2 | Nut M6 x 20 | 4 |
| 3 | Motor base | 1 |
| 4 | Nut M6 x 20 | 6 |
| 5 | Coupling joint | 1 |
| 6 | Clutch | 1 |
| 7 | T-series bushing | 2 |
| 8 | Transmifsich shaft | 1 |
| 9 | Drum | 1 |
| 10 | Tie bar | 2 |
| 11 | Gear-box base | 1 |
| 12 | Mounting bolt M8 x 20 | 4 |
| 13 | Washer ϕ 8 | 4 |
| 14 | Flat washer ϕ 8 | 4 |
| 15 | Nut M8 | 4 |
| 16 | Flat washer | 2 |
| 17 | Spring | 1 |
| 18 | Lock washer | 1 |
| 19 | Left gear box | 1 |
| 20 | Right gear box | 1 |
| 21 | Gear 1 | 1 |
| 22 | Gear 2 | 1 |
| 23 | Gear 3 | 1 |
| 24 | Central gear | 1 |
| 25 | Nut M3.5 x 6 | 1 |
| 26 | Bracket | 1 |
| 27 | End cover | 1 |
| 28 | Nut M6 x 55 | 3 |
| 29 | Clutch handle Assy | 1 |
| 30 | Roller fairlead | 1 |
| 31 | Red strap | 1 |
| 32 | Hook | 1 |
| 33 | Wire rope | 1 |
| 34 | Switch assembly | 1 |
| 35 | Relay | 1 |

For further information please contact the nearest winch distributor.