



Model:

LD-AU4001

Product Type:

PORTABLE WORK STAND

Foreseen Use of the Tool

Do not use the tool outside of the design intent.
Never modify the tool for any other purpose, or for its use.



www.toolots.com



Safety Precaution

Caution: To help prevent personal injury

- Normal use of this product is likely to expose the user to dust and/or microscopic particles containing chemicals known to the State of California to cause cancer, birth defects or other reproductive harm. Always wear appropriate safety equipment and clothing when using this product. Study, understand and follow all instructions provided with this product.
- Always wear ANSI approved goggles when using this product.
- Always select the correct accessories of the correct size and design for the job that you are attempting to perform.
- Always work in a clean, safe, well-lit, organized and adequately equipped area.
- Do not begin repairs without assurance that vehicle is in secure position, and will not move during repair.

1 YEAR LIMITED WARRANTY

Toolots,Inc warrants our products to the original user against defective material or workmanship for a period of 1 year from the date of 1st use. We reserves the right to determine whether the product failed because of defective material, workmanship or other causes and to charge back for missing parts. **Toolots,Inc** at its discretion, will repair products covered under this warranty free of charge. The original user is to return the product (with the exceptions listed below) with the distributor's name, address, adequate proof of date of purchase or a copy of warranty card, and a short note explaining the problem. **Failures caused by accident, alteration, or misuse are not covered by this warranty.**

Toolots,Inc or its authorized service representatives must perform all warranty repairs. Any repair to the product by unauthorized service representatives voids this warranty. The rights under this warranty are limited to the original user and may not be transferred to subsequent owners.

This warranty is in lieu of all other warranties, expressed or implied, including warranties of merchantability and fitness for a particular purpose. Some states do not allow the exclusion of limitations of incidental or consequential damages so the above limitations may not apply to you. All claims must be sent to:

Toolots,Inc
16300 Shoemaker Ave.
Cerritos, CA 90703

PLEASE DO NOT RETURN ANY PRODUCT WITHOUT CALLING 844-866-5687 FOR INSTRUCTIONS.

Unpacking

When unpacking, check the parts diagram and part number listing on page 2 to make sure all parts are included. If any parts are missing or damaged, please call your distributor.

Product Information

- Lightweight work bench with heavy duty 500lbs. capacity
- Steel tubing construction with 1/2" foam padded top
- Great for working on doors, fenders, hoods and bumpers
- Adjustable height of 33" to 40" tall

PORTABLE WORK STAND

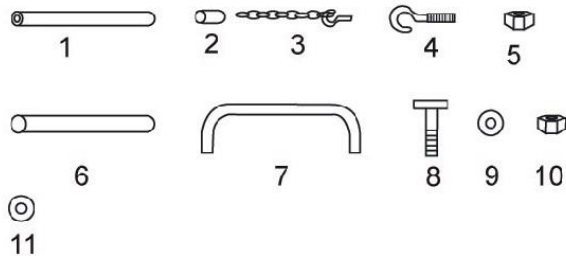
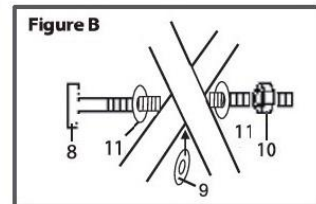
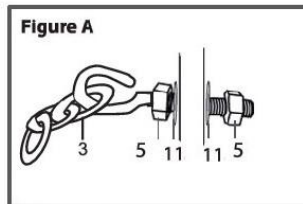
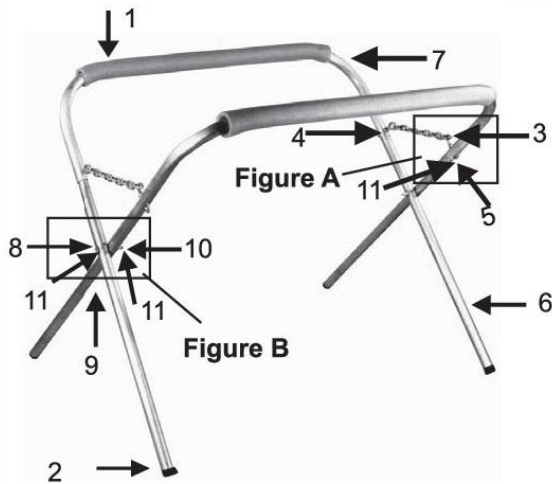


Important

Read these instructions carefully before installing, operating, servicing or repairing this tool. Keep these instructions in a safe accessible place.

PARTS BREAKDOWN

Call 844-866-5687 for questions concerning performance of the product or other inquiries.



Part No.	Description	Qty
1	Foam Pad	2
2	Rubber Cover	4
3	Chain with Eye Bolt	2
4	Eye Hook	2
5	Hex Nut M8	8
6	Leg Tube	4

Part No.	Description	Qty
7	Frame Top Tube	2
8	Bolt M8 x 65mm	2
9	Washer $\varnothing 8 \times 26\text{mm}$	2
10	M8 Lock Nut	2
11	Washer $\varnothing 8 \times 16\text{mm}$	12

Assembly Instruction

Metal edges can be sharp, please use extreme caution during assembly.

1. Attach Rubber End Caps #2 to four legs # 6.
2. Slide Foam Pad (#1) onto Frame Tops (#7) then slide Leg Tubes (#6) into Frame Tops (#7), match up holes
3. Screw Hex Nut (#5) onto Eye Bolt (#3) most of the way , add a flat washer (#11) push eye bolt thru holes of leg tube (#6) and Frame Top Tube (#7) assembly (See Figure A). Assemble so that the Eye Bolt is on the inside of the work bench, add a second Flat Washer and Hex Nut and tighten snugly. Repeat the same steps for the second set of Legs. When complete and the Work Bench is assembled, the Eye Bolts (#3) will be on opposite sides facing inwards.
4. Slide Leg Tubes (#6) into Frame Top Tubes (#7) twist legs until the holes are aligned. Assemble Eye Hooks (#4) duplicating the same assembly process as in (#3) , all Eye Bolts and Eye Hooks are facing inward when complete, when the Work Bench is assembled, the chains with Eye Bolts and Eye Hooks will be on opposite sides facing inwards.
5. Set up both parts of the stand so that the Eye Bolts with Chains (#3) and Eye Hooks (#4) are on opposite sides facing inside of work bench. Attach Eye Bolts Chains to Eye Hooks on the opposite sides of the Work Bench. Attach both halves (#6) together with a Bolt (#8) a flat washer (#11) and a special Washer (#9) inserted between both legs (See assembly figure B) and finally put a third flat washer before adding Lock Nut (#10) onto the bolt, repeat the same assembly for the other side.
6. Last, tighten all fasteners when completely assembled. Do not over tighten as the tubing can crush.