



Model:

**LD-AU4005**

Product Type:

**ADJUSTABLE EXTRA HEAVY DUTY  
PORTABLE WORK STAND**

### Foreseen Use of the Tool

Do not use the tool outside of the design intent.  
Never modify the tool for any other purpose, or for its use.



## Safety Precaution

**Caution: To help prevent personal injury**

- **Normal use of this product is likely to expose the user to dust and/or microscopic particles containing chemicals known to the State of California to cause cancer, birth defects or other reproductive harm.**
- **Always wear appropriate safety equipment and clothing when using this product. Study, understand and follow all instructions provided with this product.**
- **Always wear ANSI approved goggles when using this product. Always select the correct accessories of the correct size and design for the job that you are attempting to perform.**
- **Always work in a clean, safe, well-lit, organized and adequately equipped area.**
- **Do not begin repairs without assurance that vehicle is in secure position, and will not move during repair.**

### Product Information

- Heavy Duty work bench with capacity of 500lbs.
- Heavier gauge tubing (31.74mm)
- 1-1/4" Steel tubing construction with 1/2" foam padded top
- Great for working on doors, fenders, hoods and bumpers
- Adjustable height of 25" to 41" tall
- Stand Dimensions in Completely Folded Position: 40" wide x 42" high
- Stand Dimensions in Adjustable Operating Position: Maximum Height: 14" depth x 41" high x 40" wide Minimum Height: 32" depth x 25" high x 40" wide
- Tubing diameter is 1-1/4" (32mm)
- Weight: 16lbs.

### Important

**Read these instructions carefully before installing, operating, servicing or repairing this tool. Keep these instructions in a safe accessible place.**

 **Toolstar**  
PROFESSIONAL

[www.toolots.com](http://www.toolots.com)

### 1 YEAR LIMITED WARRANTY

**Toolots, Inc** warrants our products to the original user against defective material or workmanship for a period of 1 year from the date of 1st use.

We reserves the right to determine whether the product failed because of defective material, workmanship or other causes and to charge back for missing parts.

**Toolots, Inc** at its discretion, will repair products covered under this warranty free of charge. The original user is to return the product (with the exceptions listed below) with the distributor's name, address, adequate proof of date of purchase or a copy of warranty card, and a short note explaining the problem. **Failures caused by accident, alteration, or misuse are not covered by this warranty.**

**Toolots, Inc** or its authorized service representatives must perform all warranty repairs. Any repair to the product by unauthorized service representatives voids this warranty. The rights under this warranty are limited to the original user and may not be transferred to subsequent owners.

This warranty is in lieu of all other warranties, expressed or implied, including warranties of merchantability and fitness for a particular purpose. Some states do not allow the exclusion of limitations of incidental or consequential damages so the above limitations may not apply to you.



**PLEASE DO NOT RETURN ANY PRODUCT WITHOUT CALLING  
844-866-5687 FOR INSTRUCTIONS.**



### Unpacking

**When unpacking, check the parts diagram and part number listing on page 2 to make sure all parts are included. If any parts are missing or damaged, please call your distributor.**

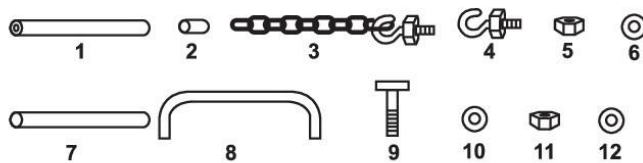
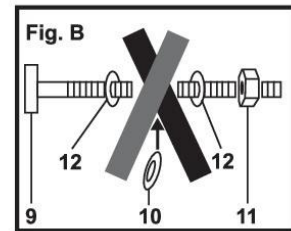
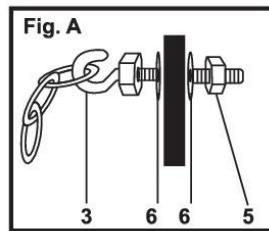
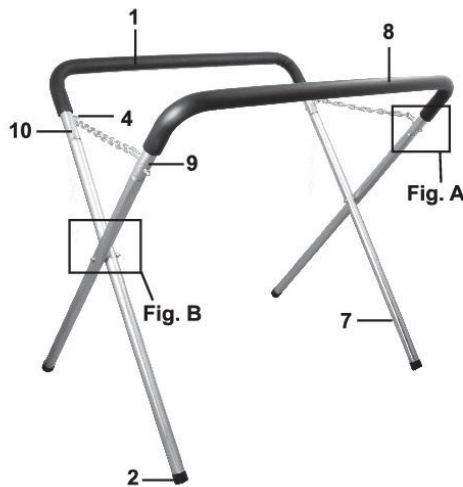
### ADJUSTABLE EXTRA HEAVY DUTY PORTABLE WORK STAND



MADE IN CHINA

Call 844-866-5687 for questions concerning performance of the product or other inquiries.

## PARTS BREAKDOWN



## Parts List

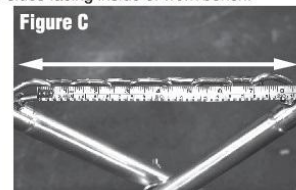
Index No.	Part No.	Description	Q'ty
1	A01	Foam Pad	2
2	A02	Rubber Cover	4
3	A03	Chain with Eye Bolt- 10.5"	2
4	A04	Eye Hook Assembly	2
5	A05	Lock Nut M8	4
6	A06	Washer M8x16mm	8
7	A07	Leg Tube	4

Index No.	Part No.	Description	Q'ty
8	A08	Frame Tube	2
9	A 9	Bolt M10 x 75mm	2
10	A10	Washer M10 x 30 x 3mm	2
11	A11	M10 Lock Nut	2
12	A12	Washer M10 x 20 x 1mm	4

## Assembly Instruction

Metal edges can be sharp, please use extreme caution during assembly.

- Attach rubber end caps (#2) to four leg tubes (#7).
- Slide foam pad (#1) onto both frame tubes (#8).  
Then, slide leg tubes (#7) into both frame tubes. Match up holes.
- Add a flat washer (#6) to eye bolt (#3). **Do not disturb fixed nuts on both eye bolts and eye hook assemblies.** And, push eye bolt (#3) thru holes of leg tube (#7) and outer top frame tube (#8) assembly (see Figure A). Assemble so that the eye bolt (#3) is on the inside of the work bench. Add a second flat washer (#6) and lock nut (#5) and tighten snugly. Repeat the same steps for the second set of legs. When complete and the work bench is assembled, the eye bolts (#3) will be on the opposite sides facing inwards.
- Slide leg tubes (#7) into frame tube (#8). Twist legs until the holes are aligned. Assemble eye hook assemblies (#4) duplicating the same assembly process as in step #3, all eye bolts and eye hook assemblies are facing inward when complete. When the work bench is assembled, the chains with eye bolts and eye hook assemblies will be on opposite sides facing inwards.
- Set up both parts of the stand so that the eye bolts with chains (#3) and eye hook assemblies (#4) are on opposite sides facing inside of work bench. Attach eye bolts chains to eye hook assemblies on the opposite sides of the work bench. Attach both halves (#8) together with a bolt (#9) a flat washer (#12) and a special washer (#10) inserted between both legs (see Figure B). And finally put a third flat washer (#12) before adding lock nut (#11) onto the bolt.
- Last, tighten all fasteners when completely assembled. Do not over tighten as the tubing can crush.



Please make sure the chain and hook assemblies on both sides of the stand are adjusted to equal lengths. See Figure C.