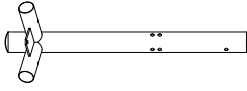



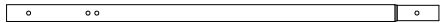

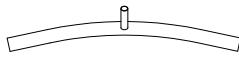
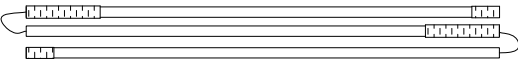
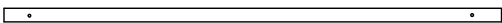
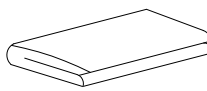
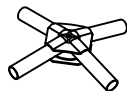


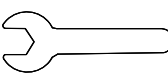
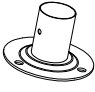
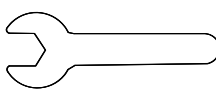
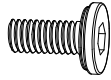

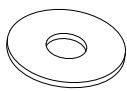

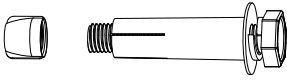

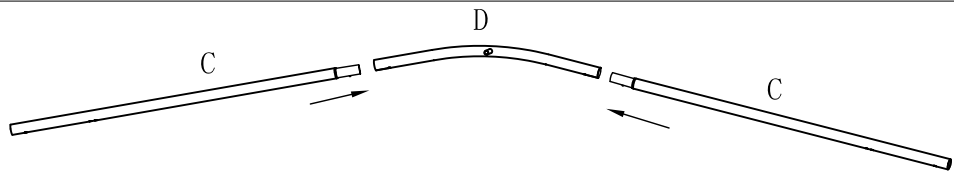
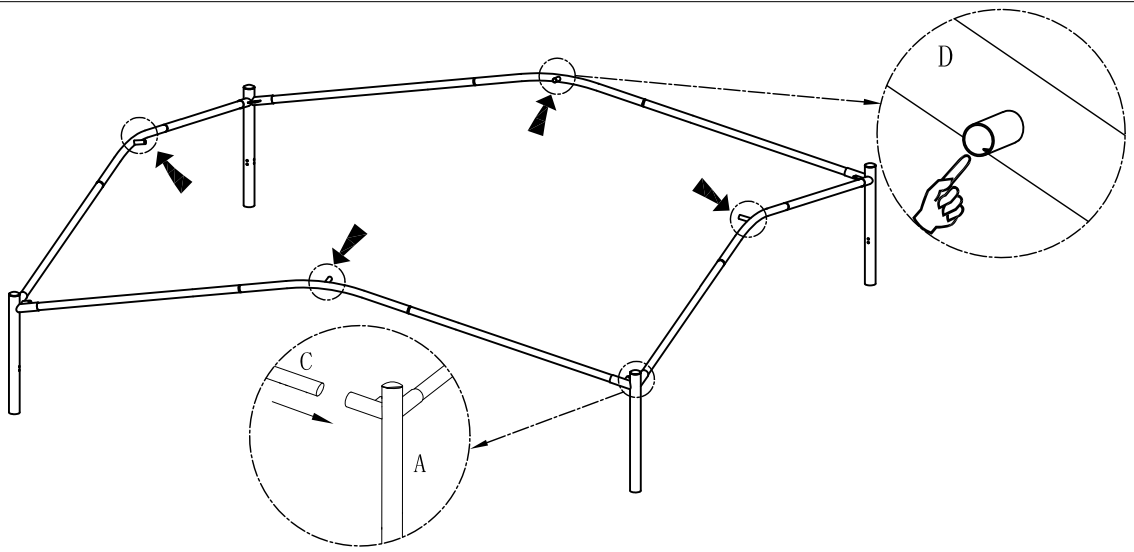


PART	PICTURE	QTY	PART	PICTURE	QTY
A		4	O		28
B		4	P		36
C		8	Q		4
D		4	R		4
E		4	S		1
F		1	T		1
G		8	U		1
H		4	V		1
I	 M6*15	32			
J	 M6*65	4			
K		36			
L		4			
M		12			
N		4			

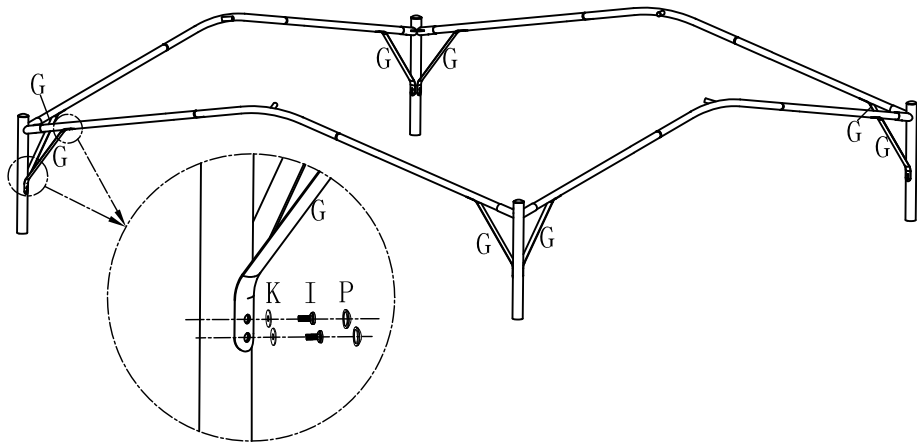
1



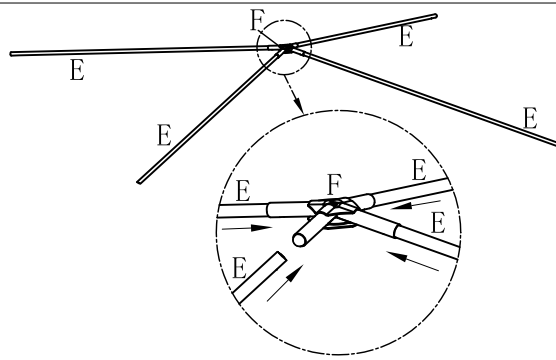
2



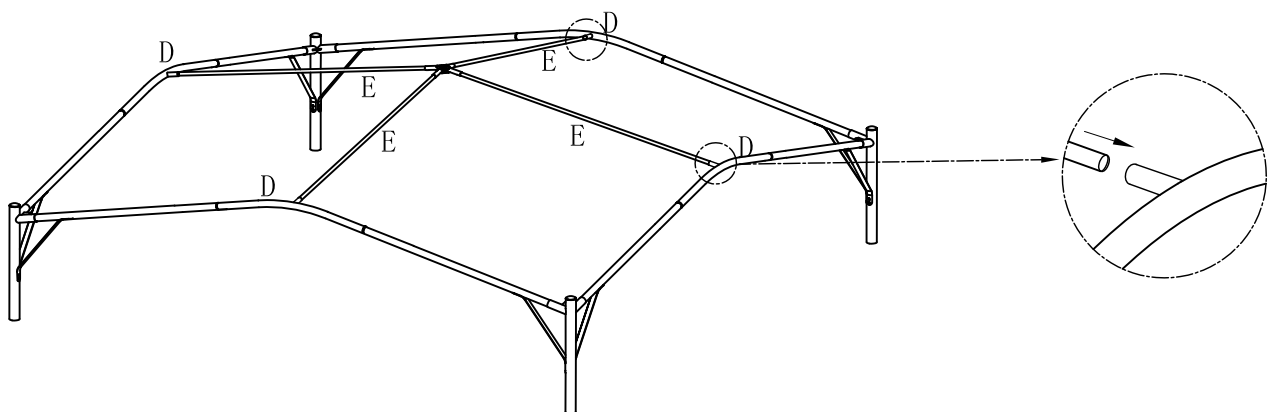
3



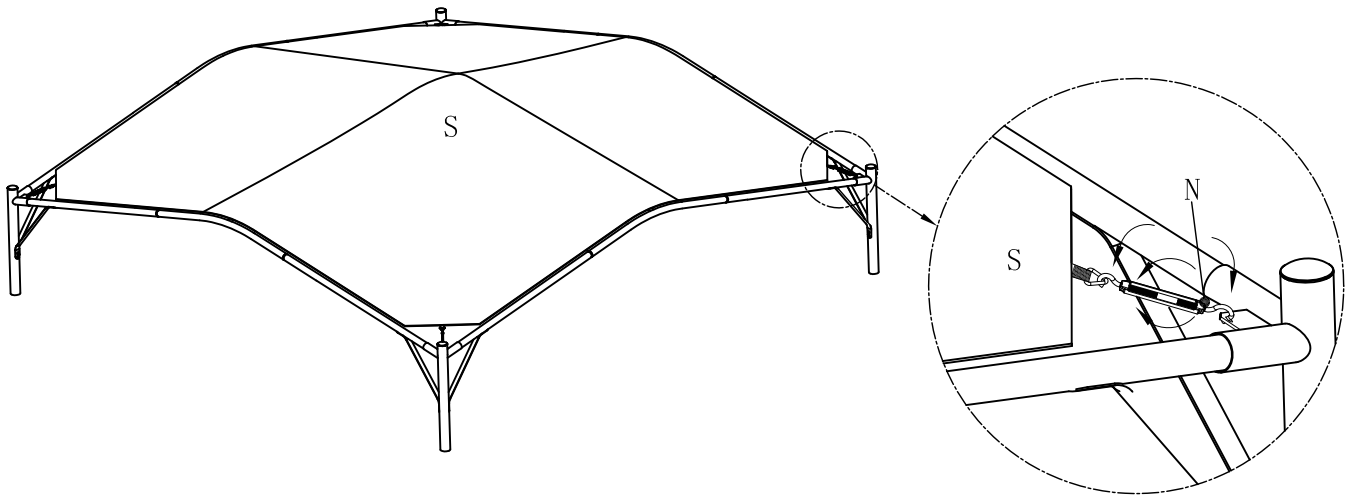
4



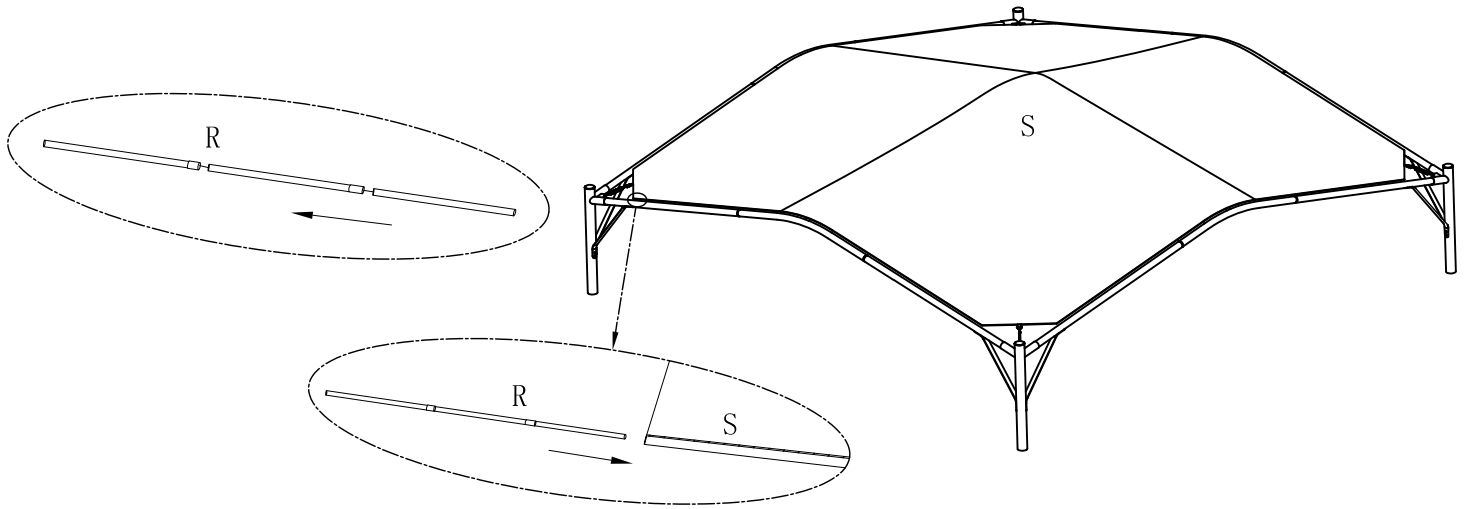
5



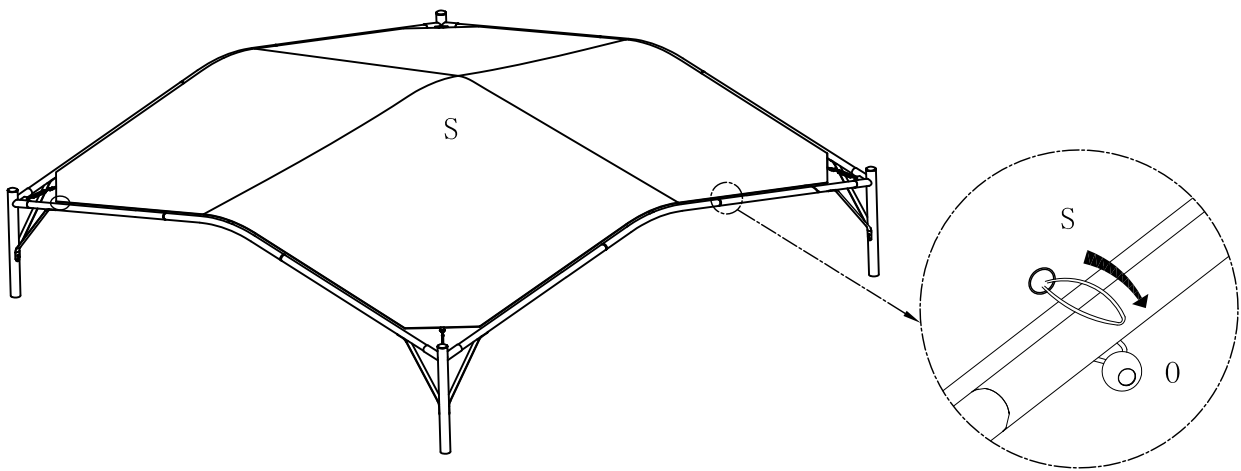
6



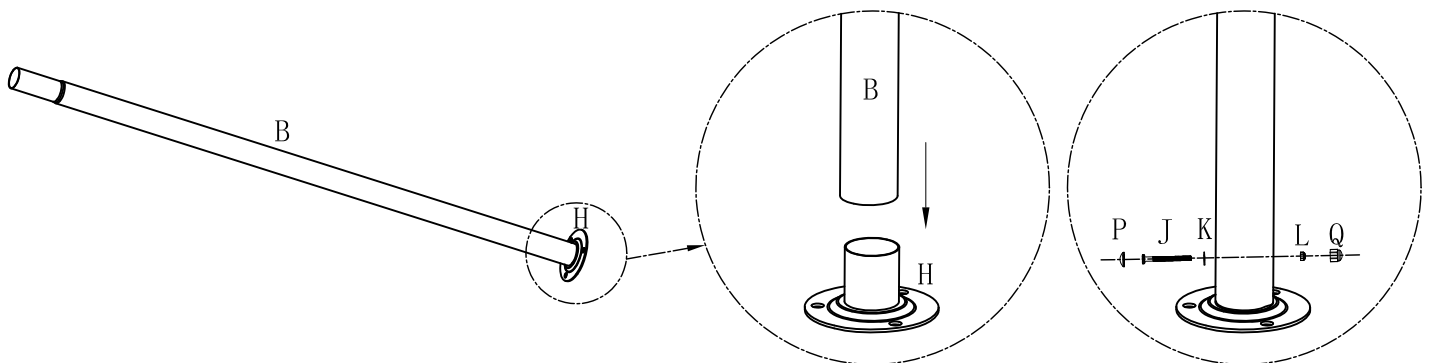
7



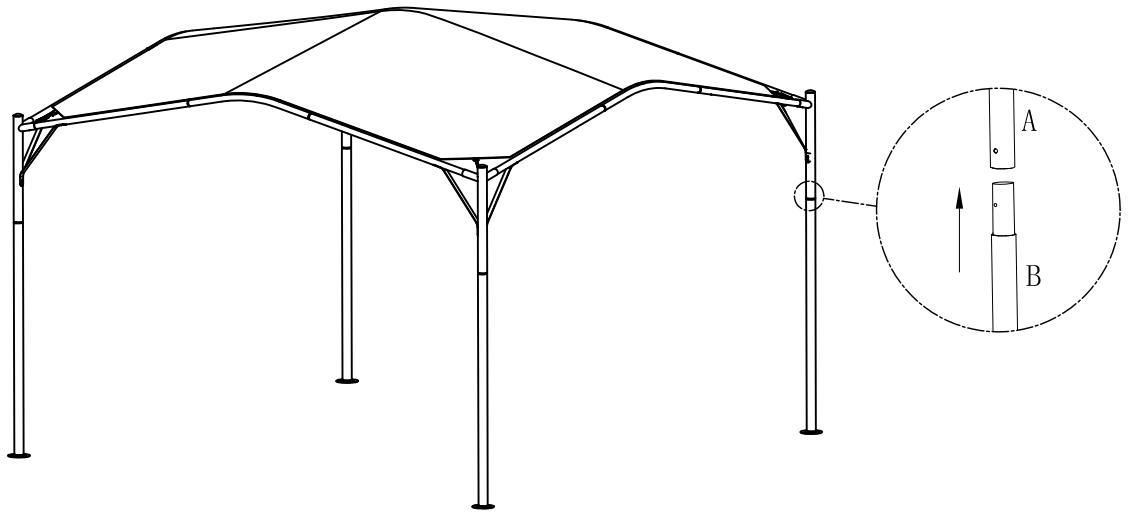
8



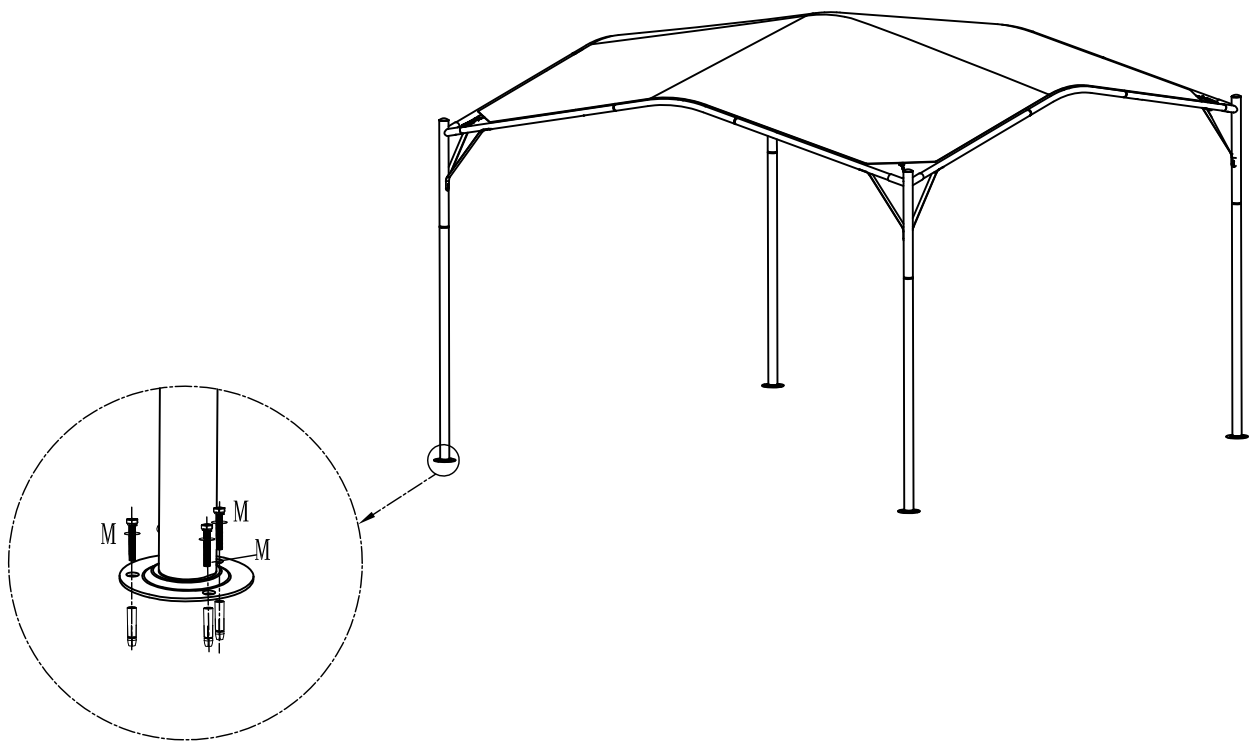
9



10



11



12

