

## **Warning**

- When you feel any abnormality, please turn off immediately the power .
- In using this product, please be conscious of the safety of the surroundings.
- Do not ride on the carrier.
- Do not attempt to discompose the wheels and controllers .
  - \* May cause electric shock, fire or malfunction.
- Do not leave this product in the rain for a long time.
  - \* May cause electric shock or malfunction.
- The battery is only for this product. Please consult with your dealer when replacing it with a new one.
- The AC/DC charger is for this product only . Do not use the charger expect for this product. When using the charger, please fully insert the plug into an AC outlet.
- Do not discompose the battery nor put it into a fire or heat it.
- When the fluid leaking from the battery by any chance adheres to your body, Should the fluid come into contact with your eyes, please rinse with clean water and go to a doctor for further treatment.
- In the case of disposing the battery, please follow local regulation.

## **Caution**

- Despite noted in Caution, serious consequence may nevertheless occure depends on the situation under which the machine is used.  
Please read carefully this manual and use this product correctly in accordance with the instructions written herein.
- When not using the electric power drive, please turn off the switch .
  - \* May extend the operating time of the battery.
- This product is an electric apparatus. Although certain waterproof measure is processed, please do not use this product in the water.
- The battery discharges by itself. Please charge the battery once every three month even when the unite is not in use.
- When an abnormality, such as smoking and smelling, is found by any chance, please turn off the power immediately.
- Please dispose this product in accordance with local ordinances.
- In the case of disposing the battery, please follow local regulation.

## Product Specifications



- Size : 46in(L)×27in(W)×35in ~ 39in(H)

---

- Weight : 71kg (with battery, pallet)

---

- Speed : High-speed/Low-speed switchable  
〔High speed setting〕 3.6mi/h (Forward) · 1.2mi/h (Backward)  
〔Low speed setting〕 1.9mi/h (Forward) · 0.8mi/h (Backward)

---

- Max.Load capacity : 250 kg

---

- Max.Climbing angle : Slope 12° (Max.Load capacity : 250 kg)

---

- Carrier area : 30in ~ 38in(L)×23in ~ 35in(W)

---

- Carrier height : 15in

---

- Motor : Wheel motor 350W / RPM:80/min  
(Overcurrent protection circuit)

---

- Brake system : Disc brake / Brake lever with stopper

---

- Frame : Low carbon steel

---

- Surface treatment : Powdered baking finish

---

- Front tire(2) : 13×5.00-6 (Pneumatic tire)

---

- Rear tire(2) : 3.00-4 Caster type (No flat tire)

---

- Min.Turning radius : 27in

---

- Battery : DC24V,24A Electrolyte lead storage battery (Encapsulated type)

---

- Power switch key (4)

---

- Grip throttle speed adjustment (0 position automatic retractable)

---

- Forward/backward drive-shift switch

---

- Battery indicator

---

- Rapid charging function : (charging time : 8hours)

---

- Charger : (input) 100V ~ 240V/50 ~ 60Hz (output) DC29V 3.5A

---

- Operating temperature range : 32°F ~ 104°F

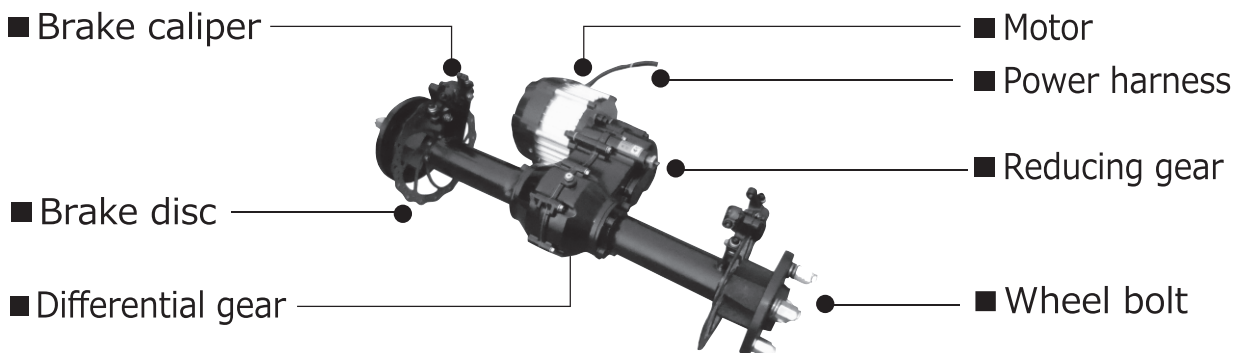
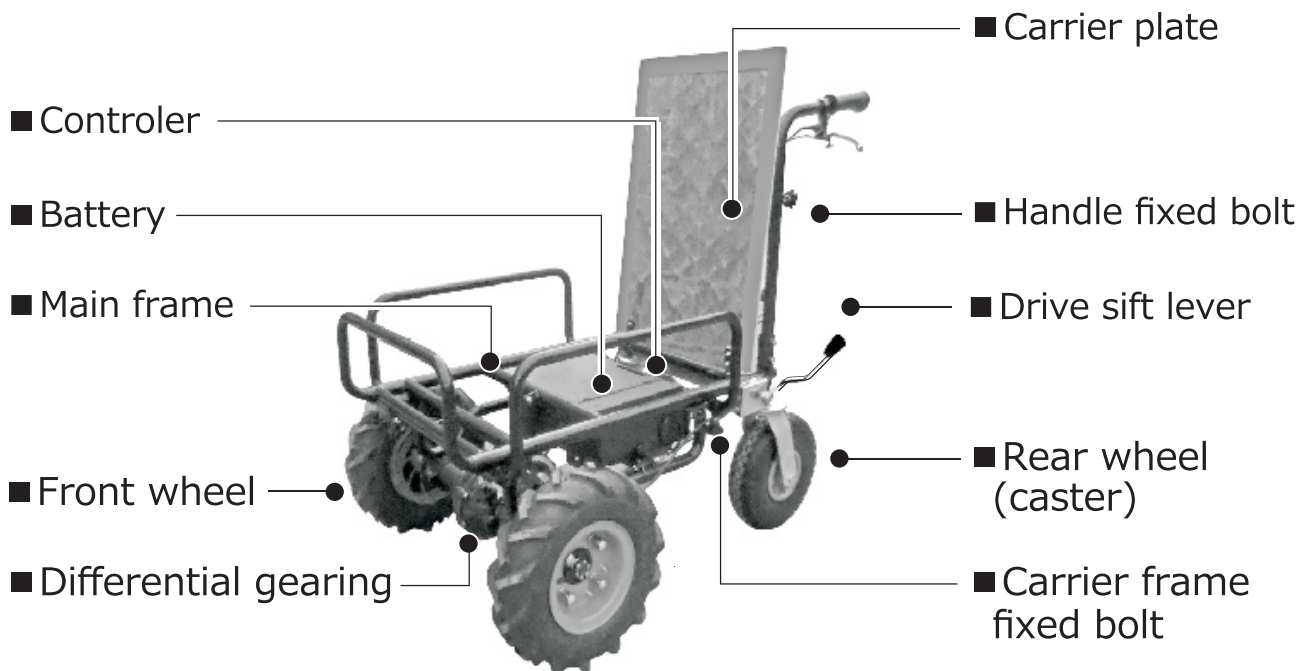
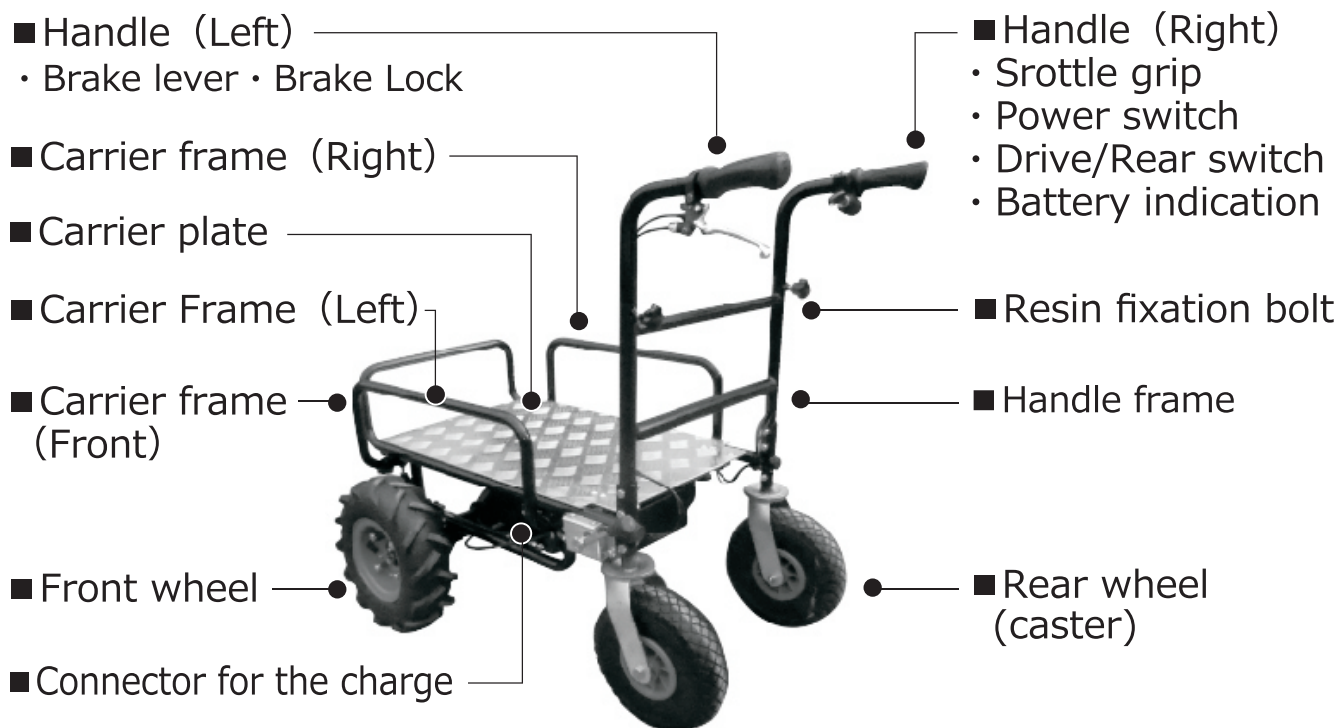
---

- Qty per 20' /40' M Container(pcs):84/168

---

- Made in China

# Name of all parts



# How to assemble

At the time of factory shipment, all parts (except a load underframe, a steering handle, the drive shift lever) are installed in this product. The main body, a carrier frame (3pcs.), a steering handle (right & left), a drive shift lever (1pcs.), a screw for the steering handle fixation (2pcs.), a knob screw for the carrier frame fixation (6pcs.) are in the packing box.

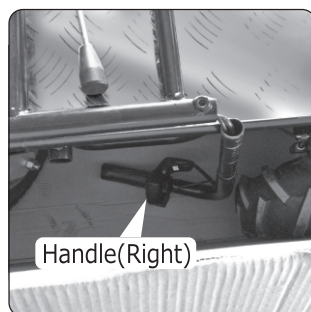
## <Procedure to Assemble>

- (1) You open a packing box, and please confirm contents.  
[Contents] Main body ,carrier frame(three) ,steering handle(1pcs.),drive shift lever(1pcs.), a screw for the steering wheel fixation(2pcs.) ,a screw for the carrier frame fixation(6pcs.) / battery charger set(1pcs.)
- (2) Harness is connected to the steering handle frame. Please take it out not to pull harness. And you insert it in a steering handle frame, and fix it with a screw for the steering handle fixation.
- (3) You cause steering wheel frame and fix it with a bolt attached to the fixed part of the main body.
- (4) You turn a steering wheel grip to a driving posture and fix it with a screw for the steering wheel fixation well.
- (5) The steering wheel height can regulate three phases. After having regulated height to a driving posture, You fix it with a screw for the steering wheel fixation well.
- (6) You take a steering handle out of a packing box after fixation.
- (7) You attach a drive shift lever to the drive shift device of the main body with an attached screw.
- (8) You insert the carrier frames in the carrier frame insertion pipe of the main body. And I make right and left equivalence and fix it with a screw for the carrier frame fixation well.
- (9) Please full charge of battery.
- (10) It is in condition to be able to use it.

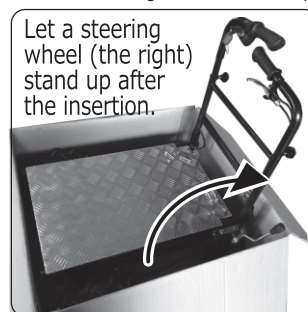
●Unpacking state



●Right-handle in the base.



●Let a steering handle stand up



●Handle grip



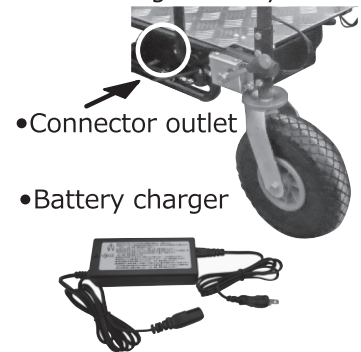
●Install the carrier frames



●Assemble completion



●Charge battery full



# How to operate & Attention for use -1

## (1)How to operate

- ① You turn a power key. Battery indication turns on.
- ② I confirm drive / rear switch.
- ③ Do not change Drive/ Rear sift switch during driving.

Perform the reshuffling of the drive / rear sift switch after a stop by all means.

When I changed drive / rear sift switch during driving, a safety device stops.

(note) Please confirm where of the drive / rear a switch is in by all means before moving it.

(note) The speed of the truck of the controller box.

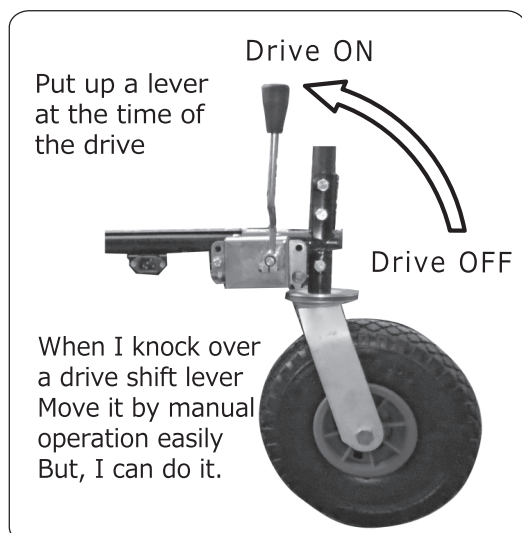
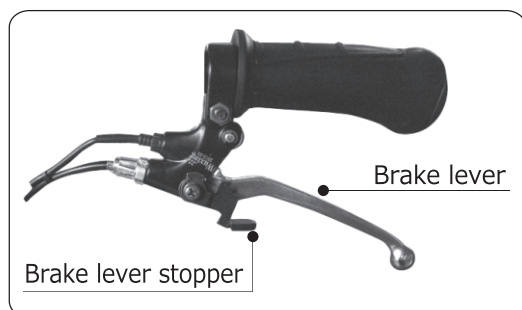
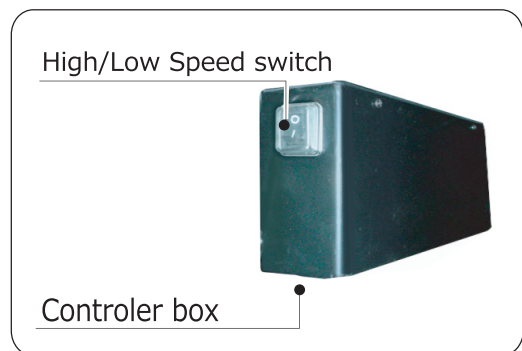
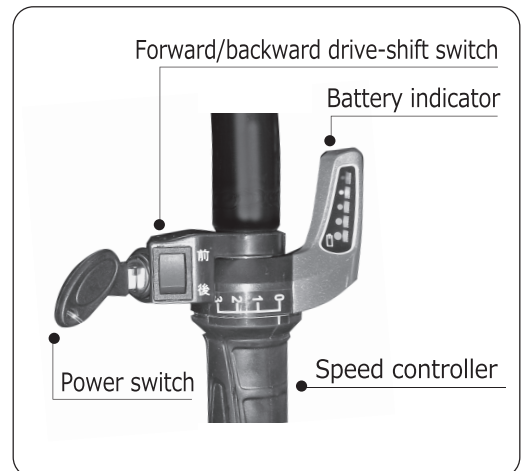
You can choose high / low speed with a switch.

- ④ You grasp a brake lever and I take off a stopper and cancel rock.
- ⑤ A motor works when I turn a speed adjustment grip, and a front wheel is driven.  
A speed adjustment grip returns to 0 when you separate a hand, and a motor power supply is cut, and a front wheel stops.
- ⑥ Brakes work when you grasp a brake lever.  
The motor power is in a condition that you was cut in the state that grasped a brake lever.
- ⑦ When you use it in electric drive, you put up a drive sift lever, and please use it.

knock over a drive sift lever, and please use it.

(note) When you change a drive shift lever, please go after a stop surely.

- ⑧ When you are electric and are not driven, please cut a power key by all means.
- ⑨ When you do not use it at time to be separated from a truck, you pull a key by all means and lock a brake lever with a stopper, and please be far after confirming that brakes work.  
(please keep the spare key in the other place.)



## How to operate & Attention for use -2

⑩ Please put the load on the central location of the carrier.

(note) When load is partial, a truck may turn over in a tilt.

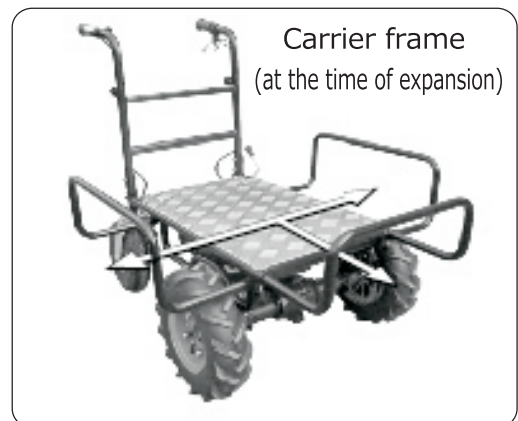
[note] When you expand the carrier frames and use it, please be careful about the deflection to the carrier of the load in particular.



⑪ The carrier frames can magnify front and left and right 10cm.

Please fix the carrier frame with a fixed bolt well from the lower part.

[note] The carrier frame inserts it in an outlet surely, and please fix it with a fixed bolt well. When a fixed bolt relaxes, a carrier frame falls out, and baggage might drop.



⑫ A front wheel is an air-type tire.

Please use the air pressure of the tire in the range of 250kPa - 300kPa.

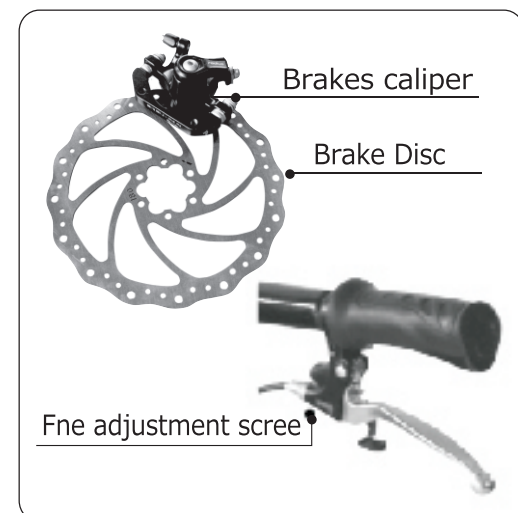
Please talk about the repair of the flat with the store



⑬ The adjustment of brakes, please coordinate the wire length of the caliper part.

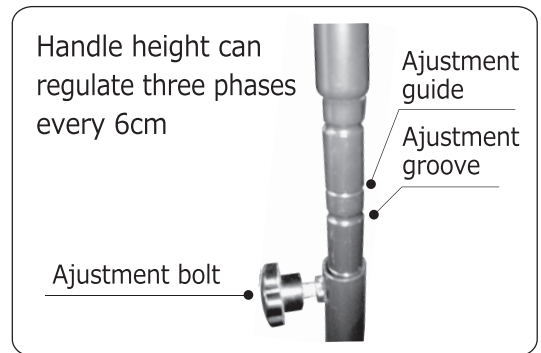
Please coordinate the fine adjustment with the adjustment screw of the brake lever part.

Please talk about the adjustment of brakes caliper and the brake disc with the store.



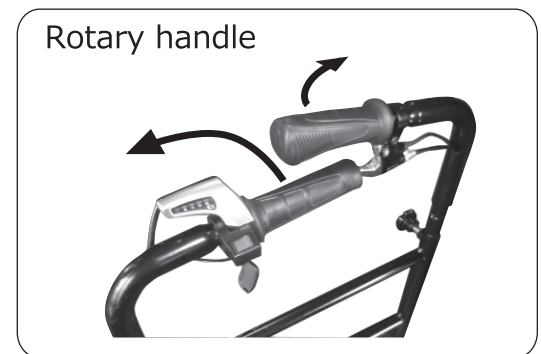
# How to operate & Attention for use -3

- ⑭ The high handle to 78cm .84cm .90cm you can regulate it.  
Match a fixed groove with a guide groove, and please fix it with a bolt well.
- ⑮ The steering wheel of right and left lowers a fixed screw, and the inside can turn it.  
Please fix it with a bolt after a turn well.



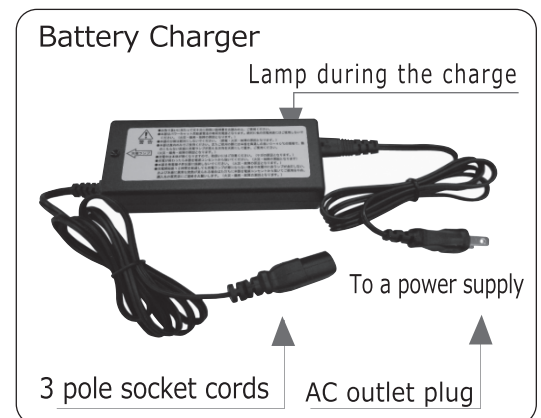
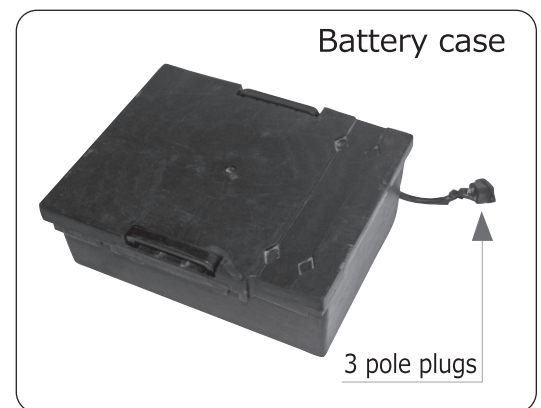
## (2) About the use of battery, the battery charger

- ◇ You charge it before use, and the state of the full charge, please.
  - ◇ Please perform the charge with the exclusive battery charger of accessories.
- (note) The battery discharges electricity naturally. Even, when not in use, please charge once for two months.  
You charge it by deterioration of the battery performance normally, and the thing that the voltage of the battery descended too much may not discharge electricity.



## Charge method of battery

- ① Power supply by the outlet plug of the battery charger
  - ② You insert 3 pole socket cords of the battery charger in a connector for the charge of the truck body.  
(please insert it surely to the root.)
  - ③ A charge lamp becomes the red lighting during charge.  
When charge is completed, it becomes the green lighting.
- When a charge lamp does not turn on during charge and abnormal fever is seen in a battery charger, you outrun the outlet plug of the battery charger promptly, and please cancel charge even if you pass more than 12 hours when there is not it if with charge completion.
  - Please perform the charge indoor of good 0-40 degrees Celsius of the ventilation.



# Component name / Part No.

< Part name >	< Article number >	< Amount >
Front wheel assy(with disc brake)	ZH001-1001-2	2
Rear wheel assy	ZH001-3002	2
Brake caliper	ZH001-003	2
Brake wire	ZH001-4004-1	1
Throttle unit	ZH001-4006	1
(with power switch/battery Indicator)		
Drive/Rear switch	ZH001-4007	1
Brake lever unit(with lock)	ZH001-4003	1
Controller unit	ZH001-7000	1
Battery ( 2 Sets/4Pcs)	ZH001-6000	1
Battery charger	ZH001-1100	1
Resin fixation bolt(M8)	ZH001-4008	8
Resin fixation bolt for handle(M8)	ZH001-3003	2
Resin fixation nut for handle(M8)		
Resin fixation washer for handle(M8)		
Scree for clutch lever(M6×20)	XH001-3003-1	1