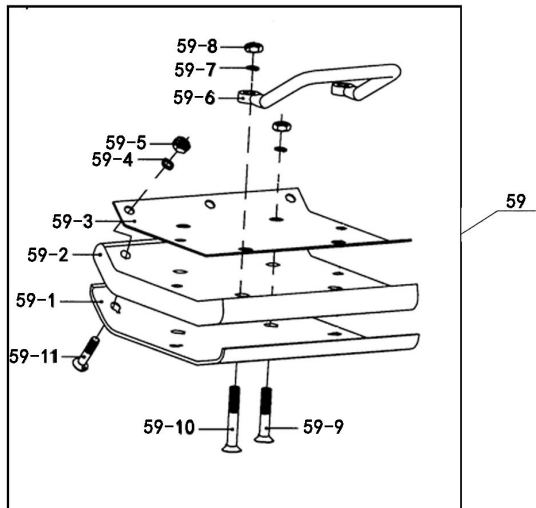
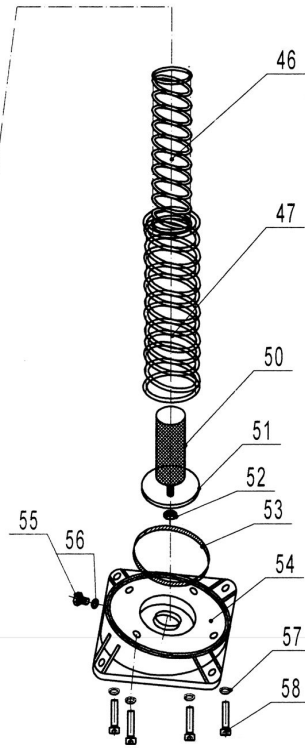
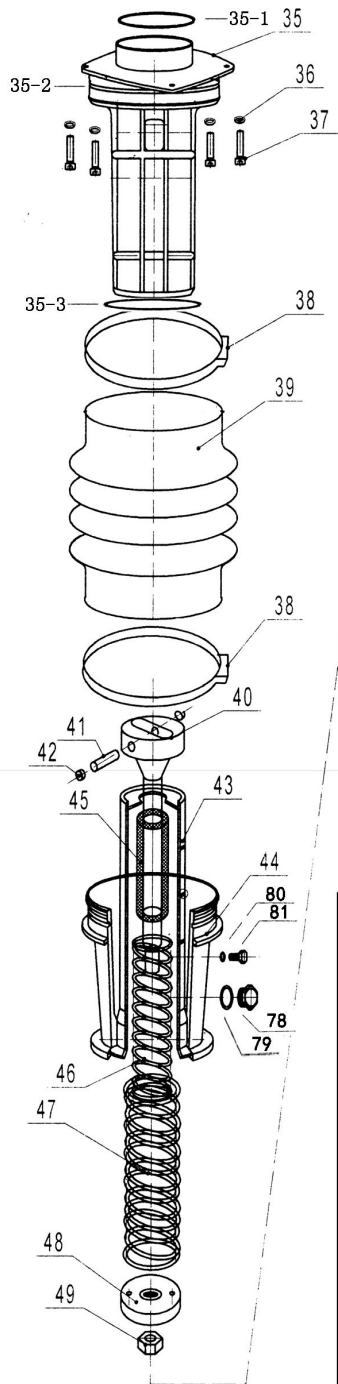
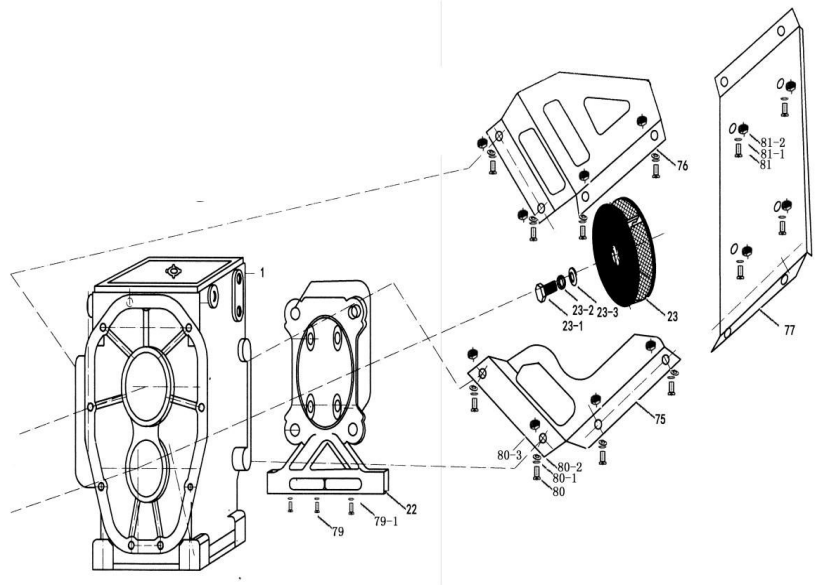
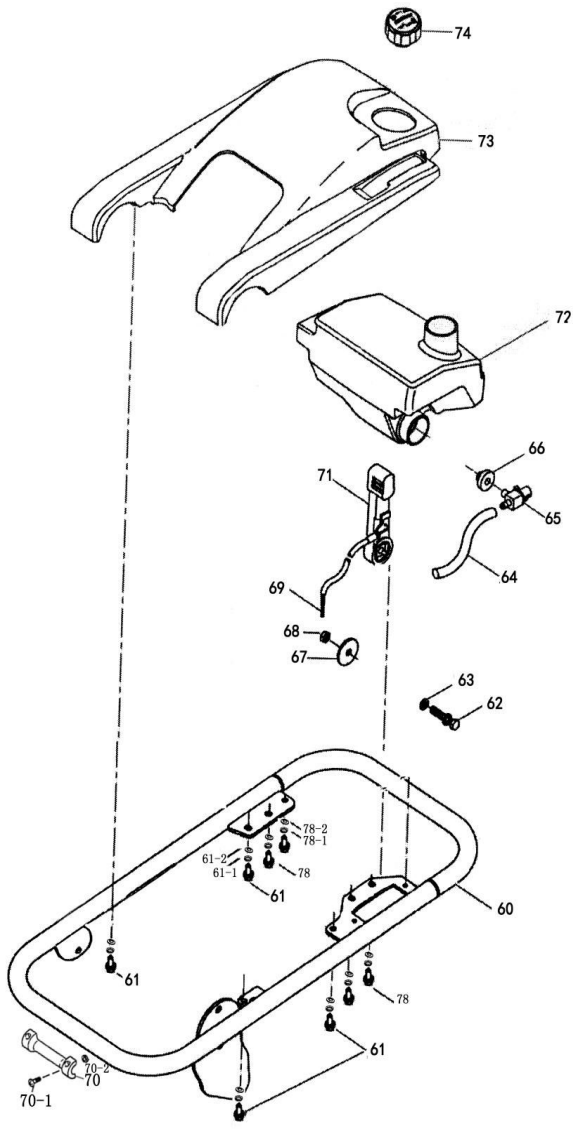


| ITEM NO. | PART NO. | DESCRIPTION | QUANTITY |
|----------|------------------|---|----------|
| 1 | SG70R001 | CRANK CASE | 1 |
| 2 | SG70R002 | GEAR SHAFT FOR SG70 | 1 |
| 3 | 6204 | BEARING 6204-GB276 | 1 |
| 4 | GB1096-5X20 | KEY5x20 | 1 |
| 5 | 6007 | BEARING 6007-GB276 | 1 |
| 6 | GB3452.1-40x68x8 | O-RING 40x68x8-GB3452.1 | 1 |
| 7 | SG70R003 | CLUTCH DRUM | 1 |
| 8 | GB97.1-8 | WASHER 8-GB97.1 | 1 |
| 9 | GB93-8 | SPRING WASHER 8-GB93 | 1 |
| 10 | GB5783-M8X20 | BOLT M8X20-GB5783 | 1 |
| 11 | GB893.1-52 | RETAINING RING 52-GB893.1 | 1 |
| 11-1 | GB893.1-20 | RETAINING RING 20-GB893.1 | 1 |
| 12 | 6304 | BEARING 6304-GB276 | 1 |
| 13 | SG70R004 | CONNECTING ROD | 1 |
| 14 | SG70R005 | CRANK GEAR | 1 |
| 15 | 6207 | BEARING 6207-GB276 | 1 |
| 16 | 6305 | BEARING 6305-GB276 | 1 |
| 17 | GB893.1-25 | RETAINING RING 25-GB893.1 | 1 |
| 17-1 | GB893.1-62 | RETAINING RING 62-GB893.1 | 1 |
| 18 | SG70R006 | GEAR COVER | 1 |
| 19 | T5783-M6X20 | BOLT M6X20-GB5783 | 9 |
| 20 | GB93-6 | SPRING WASHER 6-GB93 | 9 |
| 22 | SG70R007-1 | CONNECTING PLATE FOR SG70H & SG70C | 1 |
| | SG70R007-2 | CONNECTING PLATE FOR SG70R1 | 1 |
| | SG70R007-3 | CONNECTING PLATE FOR SG70R2 | 1 |
| | SG70R007-4 | CONNECTING PLATE FOR SG70LC & SG80R1 | 1 |
| | SG70R007-5 | CONNECTING PLATE FOR SG80H,SG80R2 & SG80LC | 1 |
| | SG70R007-6 | CONNECTING PLATE FOR SG80D | 1 |
| 23 | SG70R008-1 | CLUTCH ASSY. FOR SG70H,SG70C, SG70R1, SG70R2, SG70LC, SG80R1, SG80D | 1 |
| | SG70R008-2 | CLUTCH ASSY. FOR SG80H,SG80R2 & SG80LC | 1 |
| 23-1 | GB5783-M8X20 | BOLT M8X20-GB5783 | 1 |
| 23-2 | GB97.1-8 | WASHER 8-GB97.1 | 1 |
| 23-3 | GB93-8 | SPRING WASHER 8-GB93 | 1 |
| 24 | SG70R009 | VIBRATION DAMPER | 2 |
| 25 | SG70R010 | DAMPER PLATE | 2 |
| 26 | GB5783-M8X25 | BOLT M8X25-GB5783 | 6 |
| 27 | GB93-8 | SPRING WASHER 8-GB93 | 6 |
| 27-1 | GB97.1-8 | WASHER 8-GB97.1 | 6 |
| 28 | SG70R011 | AIR CLEANER COVER | 1 |
| 29 | SG70R012 | KNOB | 1 |
| 30 | SG70R013 | AIR CLEANER ELEMENT1 | 1 |
| 31 | SG70R014 | AIR CLEANER ELEMENT2 | 1 |
| 32 | SG70R015 | INTAKE PIPE FOR SG70 | 1 |
| 33 | SG70R017 | HOSE CLAMP 35 | 1 |
| 34 | SG70R018 | HOSE CLAMP 35 | 1 |



| | | | |
|-------|-------------------|----------------------------|---|
| 35 | SG70R019 | GUIDE CYLINDER | 1 |
| 35-1 | GB3452.1-99×4 | O-RING 99X4-GB3452.1 | 1 |
| 35-2 | GB3452.1-150×3.55 | O-RING 150X3.55-GB3452.1 | 1 |
| 35-3 | GB3452.1-150×3.55 | O-RING 150X3.55-GB3452.1 | 1 |
| 36 | T93-10 | SPRING WASHER 10-GB93 | 4 |
| 37 | T5783-M10X30 | BOLT M10X30-GB5783 | 4 |
| 38 | SG70R020 | BELLOW CLAMP | 2 |
| 39 | SG70R021 | BELLOW | 1 |
| 40 | SG70R022 | PISTON ROD | 1 |
| 41 | SG70R023 | PISTON PIN | 1 |
| 42 | T893.1-15 | RETAINING RING 15-GB893.1 | 2 |
| 43 | SG70R024 | SPRING CYLINDER | 1 |
| 44 | SG70R025 | PROTECTION SLEEVE | 1 |
| 45 | SG70R026 | STOPPER, UPPER | 1 |
| 46 | SG70R027 | SPRING, INNER | 2 |
| 47 | SG70R028 | SPRING, OUTER | 2 |
| 48 | SG70R029 | PISTON END | 1 |
| 49 | SG70R030 | NUT M18X28 | 1 |
| 50 | SG70R031 | STOPPER, LOWER | 1 |
| 51 | SG70R032 | WASHER 74-GB97.1 | 1 |
| 52 | SG70R033 | NUT M8 | 1 |
| 53 | SG70R034 | O-RING 119x5 | 1 |
| 54 | SG70R035 | FOOT PLATE | 1 |
| 55 | GB5783-M8X25 | BOLT M12X12-GB5783 | 1 |
| 56 | GB97.1-12 | COMBINATION WASHER 12-GB97 | 1 |
| 57 | T93-10 | SPRING WASHER 10-GB93 | 4 |
| 58 | GB5783-M10X25 | BOLT M10X25-GB5783 | 4 |
| 59 | SG70R036 | FOOT ASSY. | 1 |
| 59-1 | SG70R037 | METAL SHEET | 1 |
| 59-2 | SG70R038 | FOOT | 1 |
| 59-3 | SG70R039 | FOOT COVER | 1 |
| 59-4 | GB97-10 | WASHER 10-GB97.1 | 7 |
| 59-5 | T889-M10 | HEXAGONAL NUT M10-GB889 | 7 |
| 59-6 | SG70R040 | LIFTING HOOK | 1 |
| 59-7 | T93-12 | SPRING WASHER 12-GB93 | 4 |
| 59-8 | T889-M12 | HEXAGONAL NUT M12-GB889 | 4 |
| 59-9 | T11-M12X65 | SCREW M12X65-GB11 | 2 |
| 59-10 | T11-M12X65 | SCREW M12X65-GB11 | 2 |
| 59-11 | T11-M10X50 | SCREW M10X50-GB11 | 7 |
| 78 | T70-M20X9 | LEVEL GAUGE M20X9-GB1160.2 | 1 |
| 79 | SG70R041 | RUBBER WASHER 20 | 1 |
| 80 | GB93-14 | COMBINATION WASHER 14-GB97 | 1 |
| 81 | GB5783-M14X12 | BOLT M14X12-GB5783 | 1 |



| | | | |
|------|----------------|---|---|
| 60 | SG70R042 | HANDLE | 1 |
| 61 | GB5783-M8X20 | BOLT M8X20-GB5783 | 4 |
| 61-1 | GB97-8 | WASHER 8-GB97.1 | 4 |
| 61-2 | T93-8 | SPRING WASHER 8-GB93 | 4 |
| 62 | GB5783-M6X30 | BOLT M6X30-GB5783 | 1 |
| 63 | GB93-6 | BUTTERFLY WASHER 6-GB93 | 1 |
| 64 | SG70R043 | FUEL HOSE | 1 |
| 65 | SG70R044 | FUEL COCK | 1 |
| 66 | GB6173-M14X1.5 | NUT M14X1.5-GB/T6170-1986 | 1 |
| 67 | GB97-6 | WASHER 6-GB97.1 | 1 |
| 68 | T6170-M6 | NUT M6 GB/T6170-1986 | 1 |
| 69 | SG70R045 | THROTTLE WIRE | 1 |
| 70 | SG70R046 | Bone wheel | 1 |
| 70-1 | GB5783-M5X25 | BOLT M5X25-GB5783 | 4 |
| 70-2 | T6170-M5 | NUT M5 GB/T6170-1986 | 4 |
| 71 | SG70R047 | THROTTLE CONTROL ASSY. (INCLUDING | 1 |
| 72 | SG70R048 | TANK | 1 |
| 73 | SG70R049 | PLASTIC COVER | 1 |
| 74 | SG70R050 | TANK CAP | 1 |
| 75 | SG70R051 | PROTECTION FRAME, RIGHT FOR SG70H,SG70C, SG70R1, SG70R2, SG70LC,SG80R1, SG80D | 1 |
| | | PROTECTION FRAME, RIGHT FOR SG80H,SG80R2 & SG80LC | 1 |
| 76 | SG70R052 | PROTECTION FRAME, LEFT FOR SG70H,SG70C, SG70R1, SG70R2, SG70LC,SG80R1, SG80D | 1 |
| | | PROTECTION FRAME, LEFT FOR SG80H,SG80R2 & SG80LC | 1 |
| 77 | SG70R053 | BRACKET FOR SG70H,SG70C, SG70R1, SG70R2, SG70LC,SG80R1, SG80D | 1 |
| | | BRACKET FOR SG80H,SG80R2 & SG80LC | 1 |
| 78 | GB5783-M6X16 | BOLT M6X16-GB5783 | 4 |
| 78-1 | GB97-6 | WASHER 6-GB97.1 | 4 |
| 78-2 | T93-6 | SPRING WASHER 6-GB93 | 4 |
| 79 | GB5783-M10X25 | BOLT M10X25-GB5783 | 3 |
| 79-1 | T93-10 | SPRING WASHER 10-GB93 | 3 |
| 80 | GB5783-M8X20 | BOLT M8X20-GB5783 | 8 |
| 80-1 | GB97-8 | WASHER 8-GB97.1 | 8 |
| 80-2 | T93-8 | SPRING WASHER 8-GB93 | 8 |
| 80-3 | T889-M8 | HEXAGONAL NUT M8-GB889 | 8 |
| 81 | GB5783-M8X35 | BOLT M8X35-GB5783 | 4 |
| 81-1 | GB97-8 | WASHER 8-GB97.1 | 4 |
| 81-2 | T889-M8 | HEXAGONAL NUT M8-GB889 | 4 |