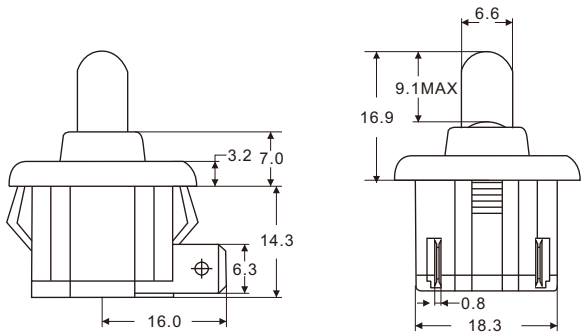
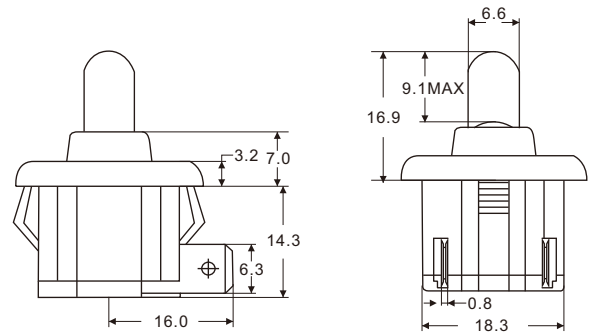


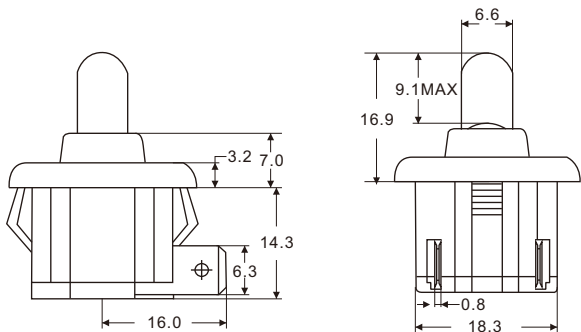
Rating	0.2A/250VAC
Contact R	50mΩ
Insulation R	100MΩ
Dielectric Strength	AC 1500V FOR 1Min
Operating Temperature	-25~85°C
Circuit	2P ON-OFF(Momentary)



Rating	0.2A/250VAC
Contact R	50mΩ
Insulation R	100MΩ
Dielectric Strength	AC 1500V FOR 1Min
Operating Temperature	-25~85°C
Circuit	2P ON-OFF(Momentary)



Rating	0.2A/250VAC
Contact R	50mΩ
Insulation R	100MΩ
Dielectric Strength	AC 1500V FOR 1Min
Operating Temperature	-25~85°C
Circuit	2P ON-OFF(Momentary)



Rating	0.2A/250VAC
Contact R	50mΩ
Insulation R	100MΩ
Dielectric Strength	AC 1500V FOR 1Min
Operating Temperature	-25~85°C
Circuit	2P ON-OFF(Momentary)

