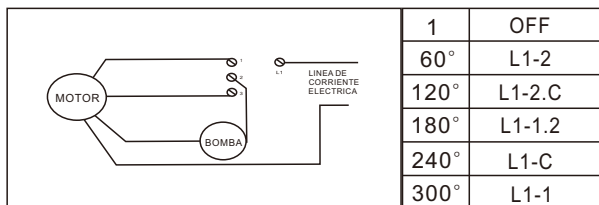
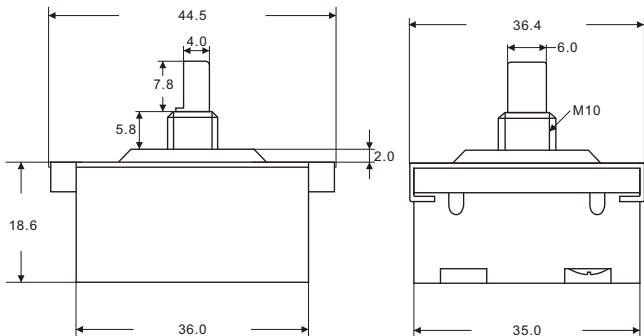
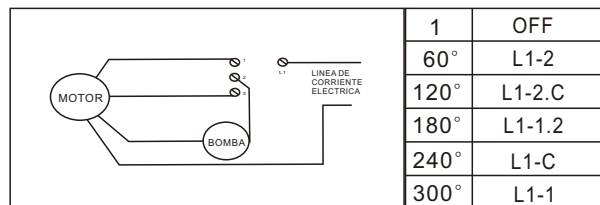
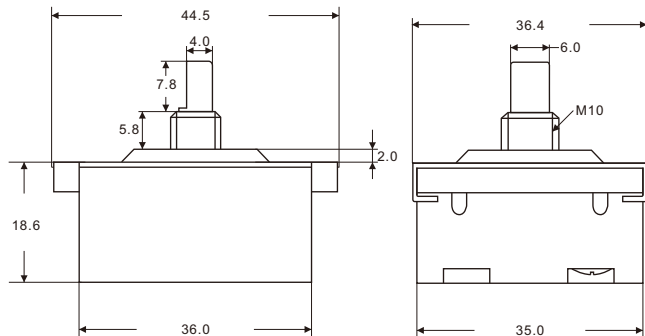


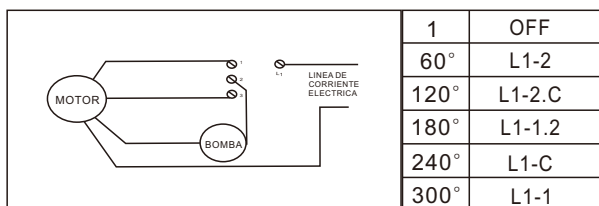
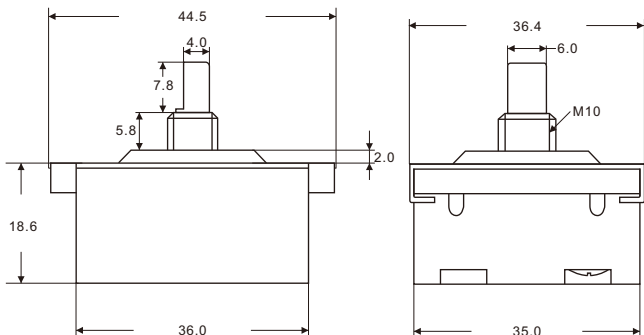
Rating	20A/130VAC 60Hz
Contact R	50mΩ
Insulation R	100MΩ
Dielectric Strength	AC 1500V FOR 1Min
Operating Temperature	-25~85 °C
Circuit	5Pin 6Position
Certification	RoHs <b>CE</b>



Rating	20A/130VAC 60Hz
Contact R	50mΩ
Insulation R	100MΩ
Dielectric Strength	AC 1500V FOR 1Min
Operating Temperature	-25~85 °C
Circuit	5Pin 6Position
Certification	RoHs <b>CE</b>



Rating	20A/130VAC 60Hz
Contact R	50mΩ
Insulation R	100MΩ
Dielectric Strength	AC 1500V FOR 1Min
Operating Temperature	-25~85 °C
Circuit	5Pin 6Position
Certification	RoHs <b>CE</b>



Rating	20A/130VAC 60Hz
Contact R	50mΩ
Insulation R	100MΩ
Dielectric Strength	AC 1500V FOR 1Min
Operating Temperature	-25~85 °C
Circuit	5Pin 6Position
Certification	RoHs <b>CE</b>

