
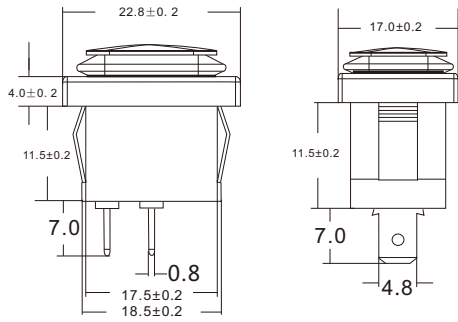

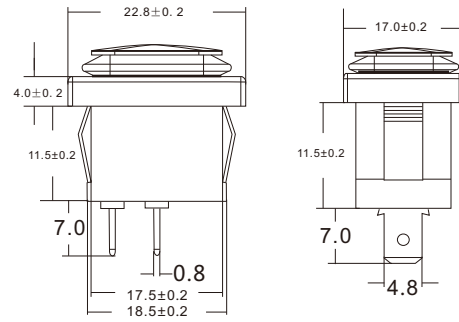



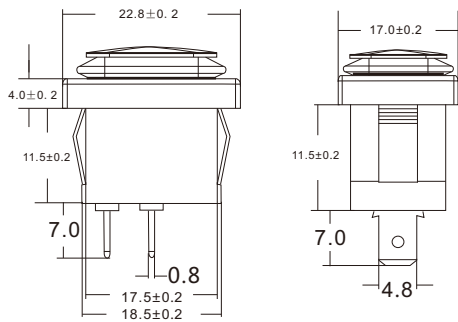
Rating	10A/250VAC 16A/250VAC
Contact R	50mΩ
Insulation R	100MΩ
Dielectric Strength	AC 1500V FOR 1Min
Operating Temperature	-25~85°C
Circuit	2P DPST ON-OFF
Certification	CE 



Rating	10A/250VAC 16A/250VAC
Contact R	50mΩ
Insulation R	100MΩ
Dielectric Strength	AC 1500V FOR 1Min
Operating Temperature	-25~85°C
Circuit	2P DPST ON-OFF
Certification	CE 



Rating	10A/250VAC 16A/250VAC
Contact R	50mΩ
Insulation R	100MΩ
Dielectric Strength	AC 1500V FOR 1Min
Operating Temperature	-25~85°C
Circuit	2P DPST ON-OFF
Certification	CE 



Rating	10A/250VAC 16A/250VAC
Contact R	50mΩ
Insulation R	100MΩ
Dielectric Strength	AC 1500V FOR 1Min
Operating Temperature	-25~85°C
Circuit	2P DPST ON-OFF
Certification	CE 