
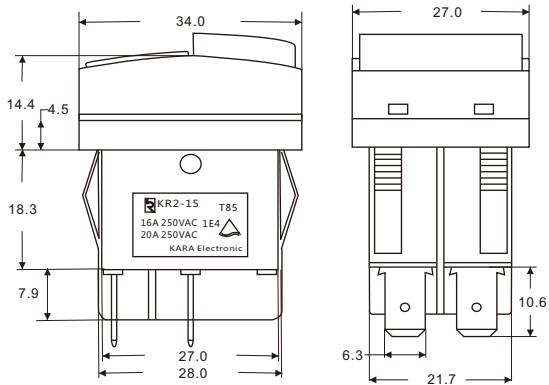
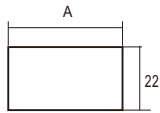



Rating	16A/250VAC 20A/250VAC
Contact R	50mΩ
Insulation R	100MΩ
Dielectric Strength	AC 1500V FOR 1Min
Operating Temperature	-25~85 °C
Circuit	4P DPST ON-OFF
Certification	

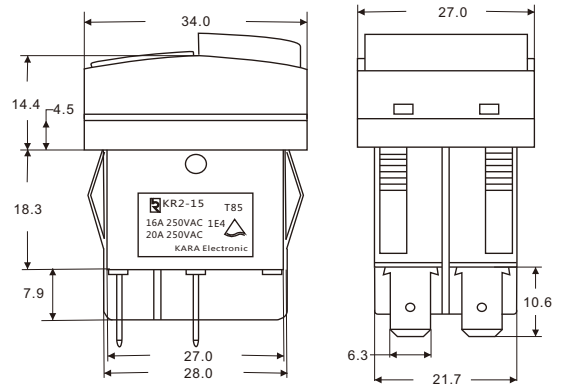


Panel hole size

Panel thickness	A
0.75-1.25	30.5
1.25-2.0	30.7
2.0-3.0	30.9

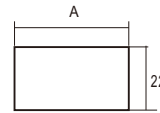



Rating	16A/250VAC 20A/250VAC
Contact R	50mΩ
Insulation R	100MΩ
Dielectric Strength	AC 1500V FOR 1Min
Operating Temperature	-25~85 °C
Circuit	4P DPST ON-OFF
Certification	

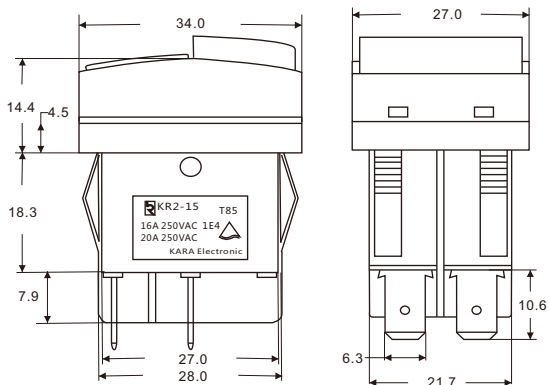


Panel hole size

Panel thickness	A
0.75-1.25	30.5
1.25-2.0	30.7
2.0-3.0	30.9

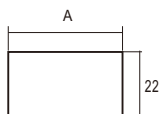



Rating	16A/250VAC 20A/250VAC
Contact R	50mΩ
Insulation R	100MΩ
Dielectric Strength	AC 1500V FOR 1Min
Operating Temperature	-25~85 °C
Circuit	4P DPST ON-OFF
Certification	

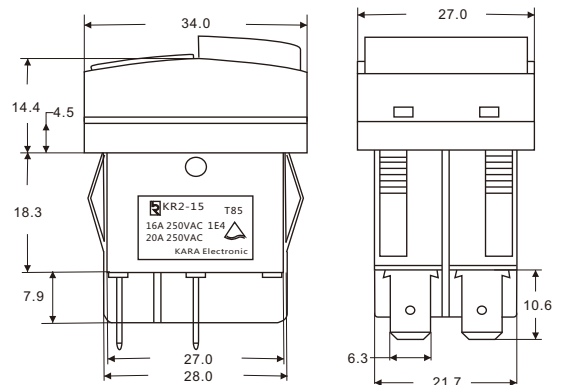


Panel hole size

Panel thickness	A
0.75-1.25	30.5
1.25-2.0	30.7
2.0-3.0	30.9



Rating	16A/250VAC 20A/250VAC
Contact R	50mΩ
Insulation R	100MΩ
Dielectric Strength	AC 1500V FOR 1Min
Operating Temperature	-25~85 °C
Circuit	4P DPST ON-OFF
Certification	



Panel hole size

Panel thickness	A
0.75-1.25	30.5
1.25-2.0	30.7
2.0-3.0	30.9

