
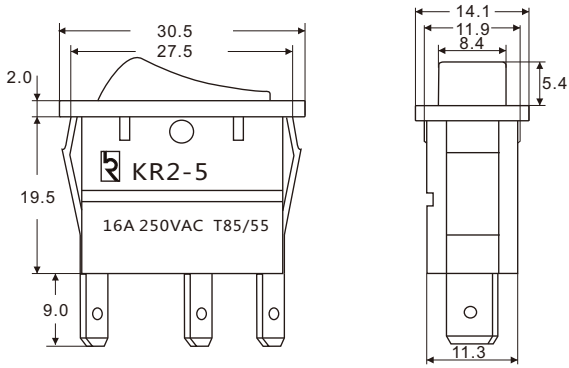
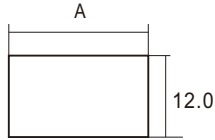


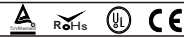
Rating	16A/250VAC
Contact R	50mΩ
Insulation R	100MΩ
Dielectric Strength	AC 1500V FOR 1Min
Operating Temperature	-25~85 °C
Circuit	3P SPST ON-OFF
Certification	

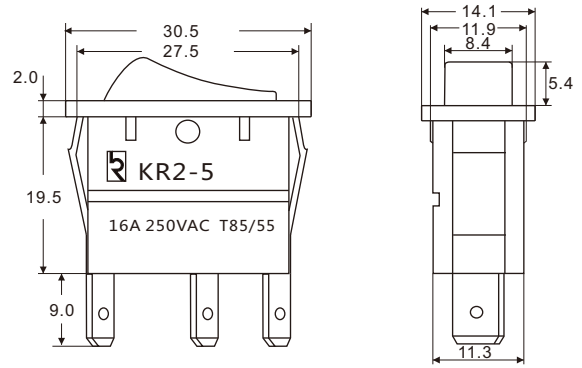


Panel hole size

Panel thickness	A
0.75-1.25	27.8
1.25-2.0	28
2.0-3.0	28.2

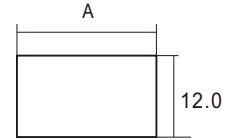



Rating	16A/250VAC
Contact R	50mΩ
Insulation R	100MΩ
Dielectric Strength	AC 1500V FOR 1Min
Operating Temperature	-25~85 °C
Circuit	3P SPST ON-OFF
Certification	

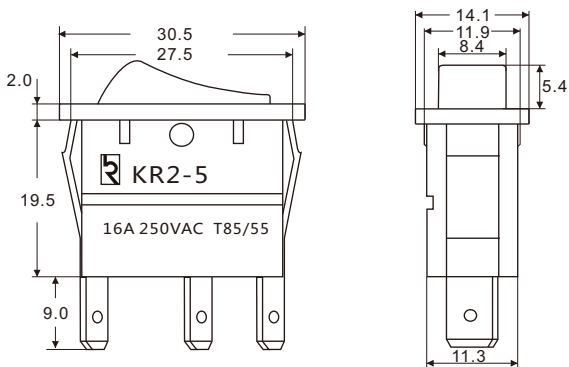


Panel hole size

Panel thickness	A
0.75-1.25	27.8
1.25-2.0	28
2.0-3.0	28.2

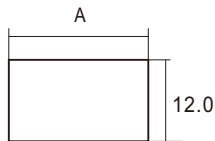


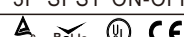
Rating	16A/250VAC
Contact R	50mΩ
Insulation R	100MΩ
Dielectric Strength	AC 1500V FOR 1Min
Operating Temperature	-25~85 °C
Circuit	3P SPST ON-OFF
Certification	

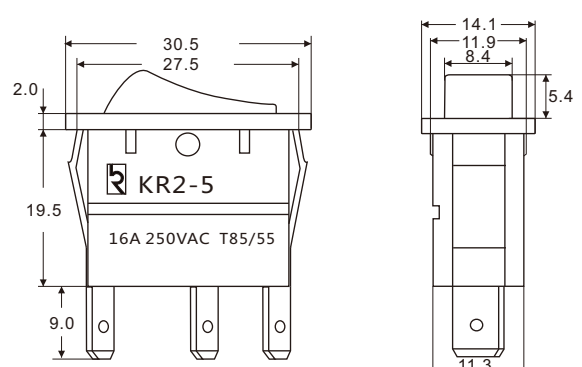


Panel hole size

Panel thickness	A
0.75-1.25	27.8
1.25-2.0	28
2.0-3.0	28.2



Rating	16A/250VAC
Contact R	50mΩ
Insulation R	100MΩ
Dielectric Strength	AC 1500V FOR 1Min
Operating Temperature	-25~85 °C
Circuit	3P SPST ON-OFF
Certification	



Panel hole size

Panel thickness	A
0.75-1.25	27.8
1.25-2.0	28
2.0-3.0	28.2

