
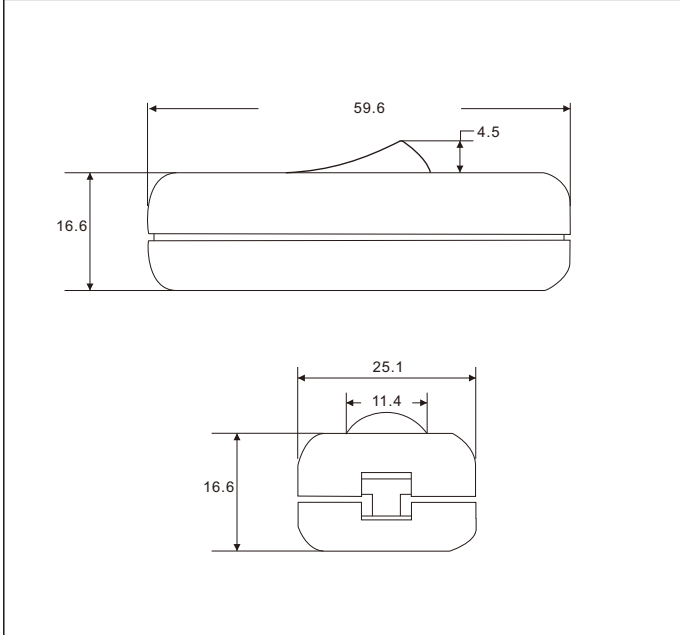

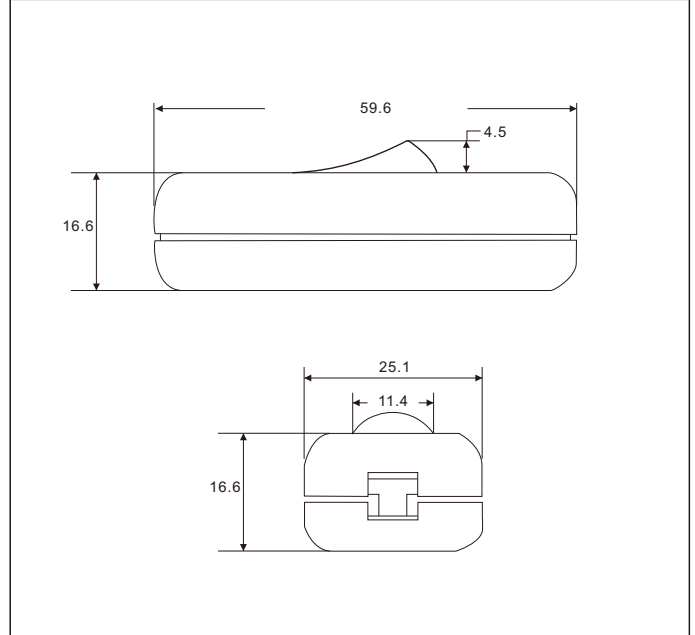



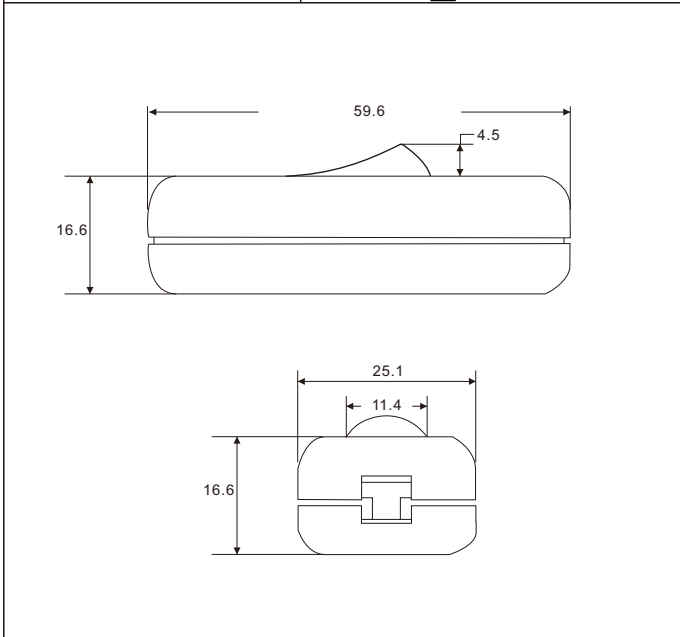
Rating	2A/250VAC
Contact R	50mΩ
Insulation R	100MΩ
Dielectric Strength	AC 1500V FOR 1Min
Operating Temperature	-25~85 °C
Circuit	ON-OFF
Certification	



Rating	2A/250VAC
Contact R	50mΩ
Insulation R	100MΩ
Dielectric Strength	AC 1500V FOR 1Min
Operating Temperature	-25~85 °C
Circuit	ON-OFF
Certification	



Rating	2A/250VAC
Contact R	50mΩ
Insulation R	100MΩ
Dielectric Strength	AC 1500V FOR 1Min
Operating Temperature	-25~85 °C
Circuit	ON-OFF
Certification	



Rating	2A/250VAC
Contact R	50mΩ
Insulation R	100MΩ
Dielectric Strength	AC 1500V FOR 1Min
Operating Temperature	-25~85 °C
Circuit	ON-OFF
Certification	