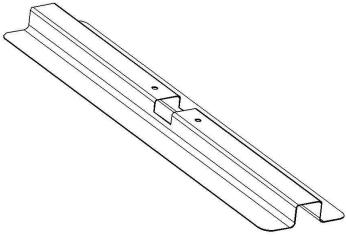
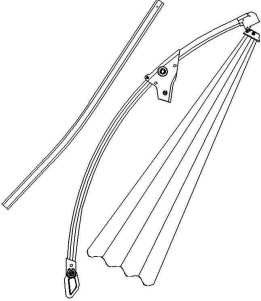
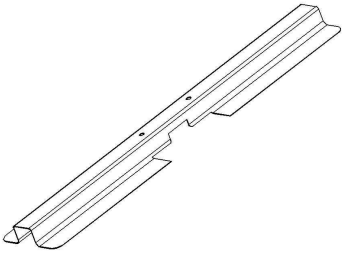
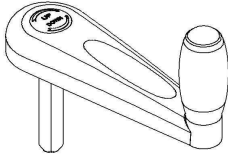
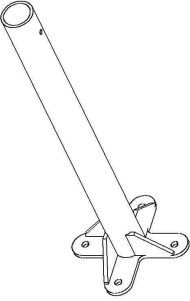
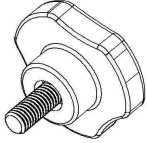
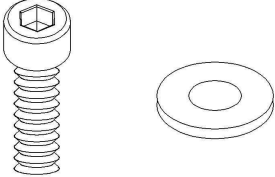


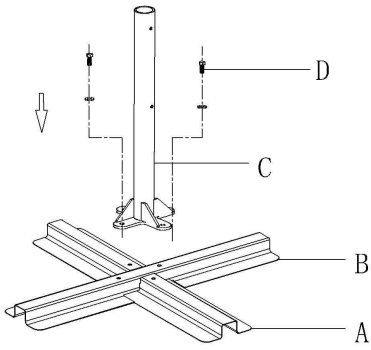
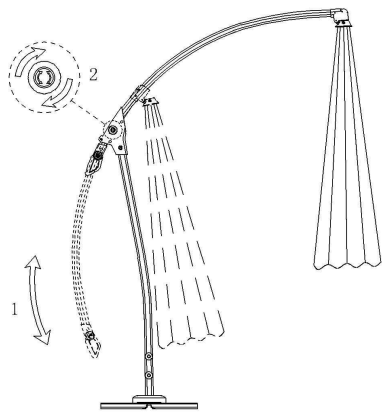


PART	PICTURE	QTY	PART	PICTURE	QTY
A		1	F		1
B		1	G		1
C		1	H		2
D	 <p data-bbox="216 1421 303 1466">(M8)</p>	4	I		1
E		1			

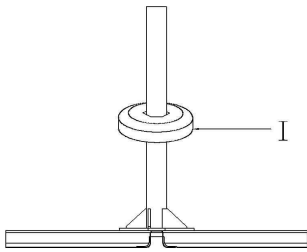
1



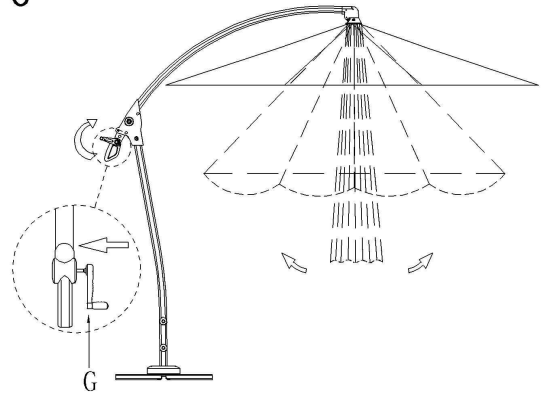
5



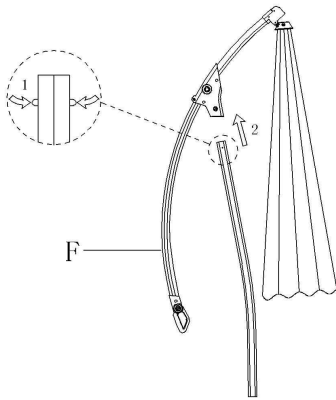
2



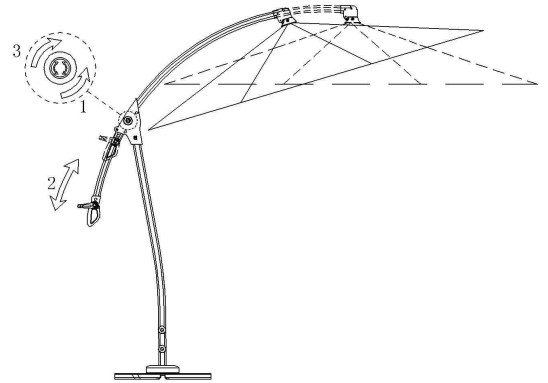
6



3



7



4

