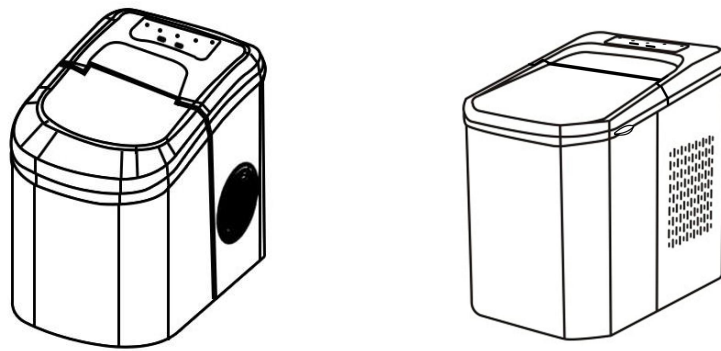


# PORTABLE AUTOMATIC ICE MAKER



## INSTRUCTION MANUAL

It is important that you read these instructions before using your portable ice maker and we strongly recommend that you keep them in a safe place for future reference.

# TABLE OF CONTENTS

IMPORTANT SAFETY TIPS .....	2
A PRELIMINARY UNDERSTANDING OF YOUR ICE MAKER .....	3
OPERATING PROCEDURES & MAINTENANCE .....	5
USING YOUR ICE MAKER.....	6
TROUBLESHOOTING.....	7
TECHNICAL PARAMETERS & CIRCUIT DIAGRAM .....	8
EXPLOSIVE DRAWINGS.....	9

# IMPORTANT SAFETY TIPS

Your personal safety and safety of others are the most important.

We have prepared many safety tips related to this machine for you.

Be sure to read and follow these tips.

This is a security warning sign



All security alerts follow the words "danger" and "warning".

If you do not comply with these safety tips, you may be seriously injured.

All safety tips describe potential hazards, tell you how to reduce the chances of injury and what will happen if you do not follow the safety tips.



If the ice maker is using or making ice, please do not touch the evaporator, which may freeze your skin.



evaporator

Before using electrical appliances, basic safety rules must be observed to reduce fire, electric shock and damage to people or material. Please read the safety tips carefully before using this appliance.

- When the power cord is damaged, do not use and operate the machine.
- use the correct power outlet and ensure that the power plug is completely inserted into the socket.
- Please do not put the power line on the carpet or heat insulation, do not cover the power line, the power line should leave the walking channel, and do not immerse into the water.
- It is not recommended to use the power extension cord. This may result in overheating or fire. If you must use it, use at least 1.5 square extension line.
- Please cut off the power supply before cleaning or repairing.

- When children are nearby, they must be supervised.
- Please do not use flammable liquids to clean the ice maker. This may cause fire or explosion.
- Please do not overturn the ice maker. If there is any overturn, the machine will be placed for 2 hours before starting.

In winter, if the ice maker is moved indoors from outside, wait for a few hours before power up, so that the temperature of the ice maker rises to the same temperature as that of the room.

**Warning:** keep ventilation free around the appliance. Do not use it in the embedded structure.

**Warning:** in addition to the manufacturer's recommended method, no mechanical or other means should be used to accelerate the defrosting process.

**Warning:** no damage to the refrigeration circuit.

**Warning:** please do not use other liquids to make ice except drinking water.

**Warning:** in addition to the type recommended by the manufacturer, it is not allowed to use electrical appliances in the food storage room of the appliance.

Explosives should not be stored in utensils, such as combustion supporting sprays.

This appliance is used for household and small milk tea shops.

## A PRELIMINARY UNDERSTANDING OF YOUR ICE MAKER

1. ice shovel:
2. infrared ice sensor: ice blocking infrared reception, the display panel is full of lights.
3. ice basket: used for storing and moving ice.
4. upper cover: transparent mirror window to make the interior visible.
5. out of the wind Network: to ensure smooth wind, should be more than 15cm distance from objects.
6. drain plug: pull down and drain the water in the water gallbladder at the bottom of the water gallbladder.
7. place the upper limit of water supply: "MAX" scale line.

## 8. control panel:

A. chooses the size of the ice block: small, big

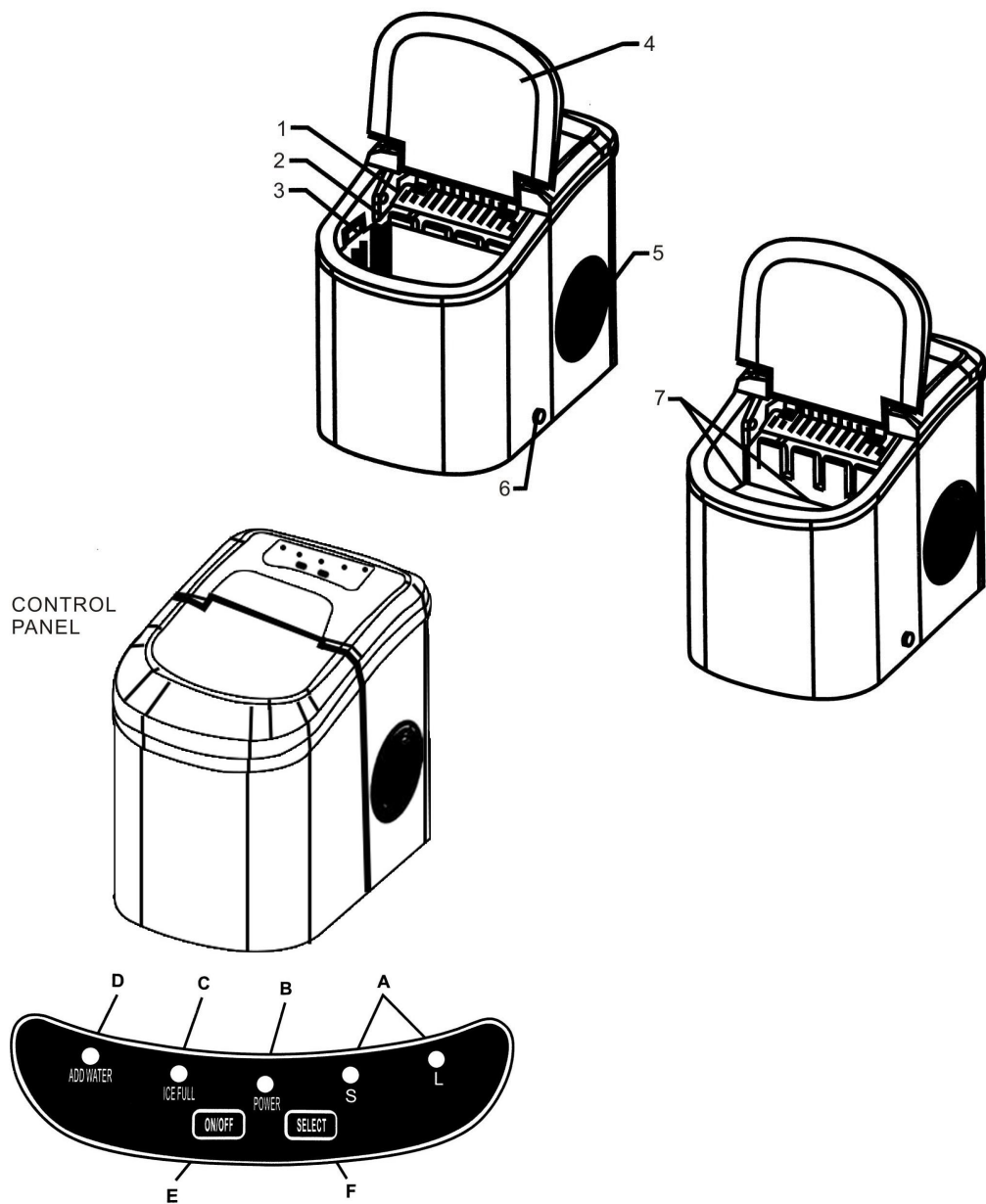
B. power indicator

C. ice full indication

D. water shortage indication: prompt you to add water to water gallbladder

E. switch button

F. ice size selection button



## OPERATING PROCEDURES & MAINTENANCE

### Open the package

1. remove all inside and outside packing. Check whether there are ice basket and ice spoon. If any attachment is missing, please contact customer service department.
2. remove the ice basket and wipe it in warm water, then rinse the water bladder with warm water and soft cloth.
3. clean the column of the evaporator with water or alcohol.
4. put the ice maker in the place where the sun can not shoot directly and keep away from heat and radiation. The ice maker is placed horizontally and there is at least 15cm gap on both sides and rear.
5. The location of the ice maker can be energized by a suitable socket.

### Connecting power of ice maker



## DANGER

The risk of electric shock may be caused by incorrect use of grounding wires. If the power cord is damaged, please contact the after sales department.

1. for your safety, the ice maker must be grounded reliably.
2. the machine needs a standard 115V/60Hz/10A grounding power supply.
3. if the power cord is damaged, the manufacturer, his maintenance department or similar professional personnel must be replaced to avoid danger.
4. away from the fire source and high temperature heating objects.
5. do not use in inflammable and explosive environment such as gas, so as to avoid accidents.

### Ice making machine cleaning

Before using the ice maker, it is strongly recommended that you thoroughly clean the whole machine.

1. take out the ice basket.
2. open the drain plug and dry the water in the water.

3. wipe the bladder with diluted detergent, warm water and soft cloth.
4. the outside of the machine should be scrubbed with diluted detergent and warm water.
5. dry the inner liner with another piece of soft cloth.
6. shut down the drain plug.

When the machine is not used for a long time, the water in the tank should be dried and dried.

## USING YOUR ICE MAKER

1. Press the "SELECT" key to select the size of the ice. If the room temperature is lower than 15°C, it is recommended that you choose the small ice to prevent icing.
2. Open the upper cover, take out the ice basket and add water to the water, keep the water level below the highest water level, then put it back into the ice basket, close the upper cover, and suggest that the water level should not exceed the bottom of the ice basket.  
Press the "ON / OFF" button on the control panel to start ice making.
4. Each ice cycle lasts 7 to 15 minutes, depending on the size of the ice and the temperature of the room. The size of the ice is also related to the water temperature and the temperature.
5. After the ice maker starts, the water level in the water gall should be checked regularly. If the water pump does not come out of water, the ice maker will automatically stop, and the "ADD WATER" indicator light indicates the water shortage. Then the water should be added to the water, and then the "ON / SELECT" key should be pressed to start the ice making again.
6. It is suggested that water should be changed every 24 hours to keep the water clean. If the ice maker is not used for a long time, drain the remaining water out the water gallbladder.

**Suggestion: use water that can be used directly.**

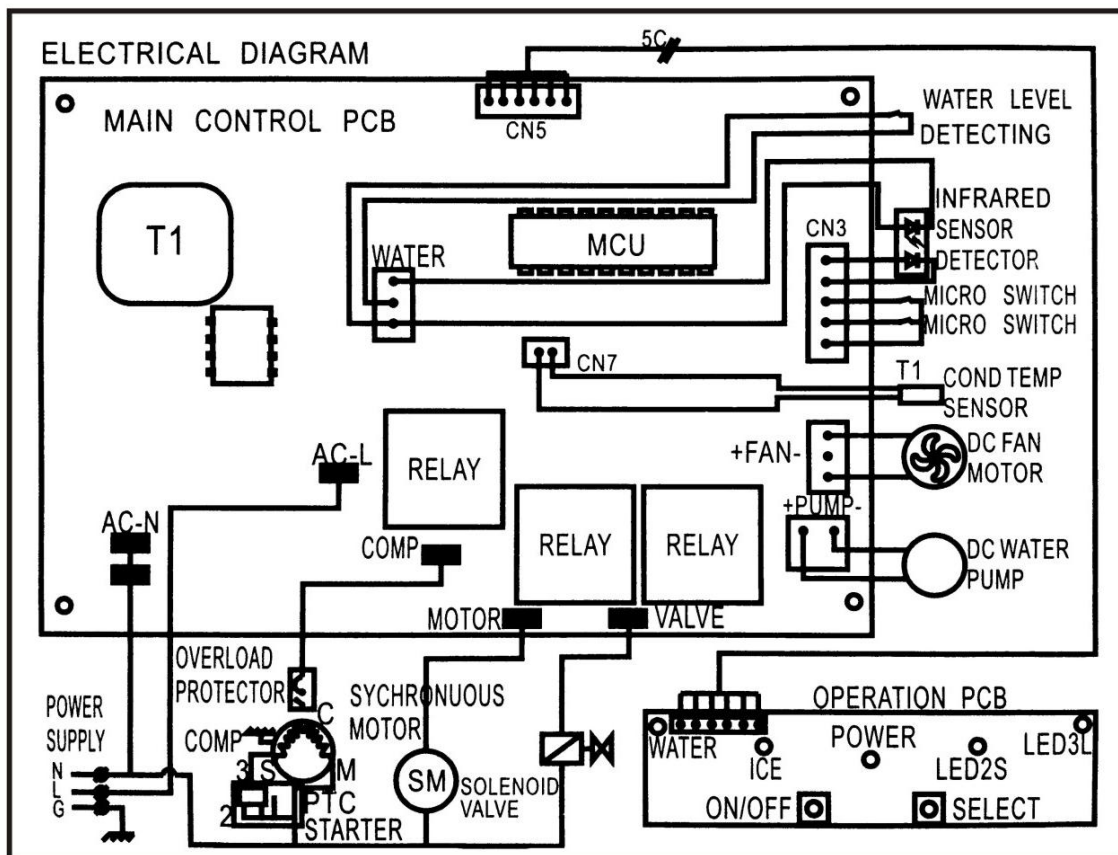
## TROUBLESHOOTING

PROBLEM	POSSIBLE CAUSE	SOLUTION
The "Add Water" indicator lights up	<ol style="list-style-type: none"> <li>1. Lack of water</li> <li>2. Filter screen plug at the bottom of the water tank</li> <li>3. The induction needle is not in the middle of the hole</li> </ol>	<ol style="list-style-type: none"> <li>1. Stop making ice, add water, press "ON / OFF" Key restarts ice making</li> <li>2. Cleaning.</li> <li>3. Adjust the position of the induction needle</li> </ol>
"ICEFULL" indicator is on.	<ol style="list-style-type: none"> <li>1. There is too much ice in the ice basket.</li> <li>2. The ice full sensor is bad, no ice water is full of light.</li> <li>3. Water infiltrates into the induction lamp</li> </ol>	<ol style="list-style-type: none"> <li>1. Remove the ice from the ice basket.</li> <li>2. Contact the manufacturer to change the sensor.</li> </ol>
Ice full light flicker	The ice shovel was stuck	If the ice is stuck in the ice shovel, take the ice. Otherwise, please consult the after-sales service staff
The ice is linked together	The ice making cycle is too long	Stop the ice maker, and restart it when the ice blocks melt. Select the small size ice cube selection.
	Water temperature in inner tank is too low	Replace the water in the water gallbladder, the water temperature is best between 8°C and 32°C .
Ice making cycle is normal but no ice formed.	Exorbitant ambient temperature or water temperature	Please make ice when the ambient temperature is below 32°C and give a certain amount of cold water to the water gallbladder.
	Leakage of refrigeration system	Contact after service personnel
	Clogging of the refrigeration system	Contact after service personnel

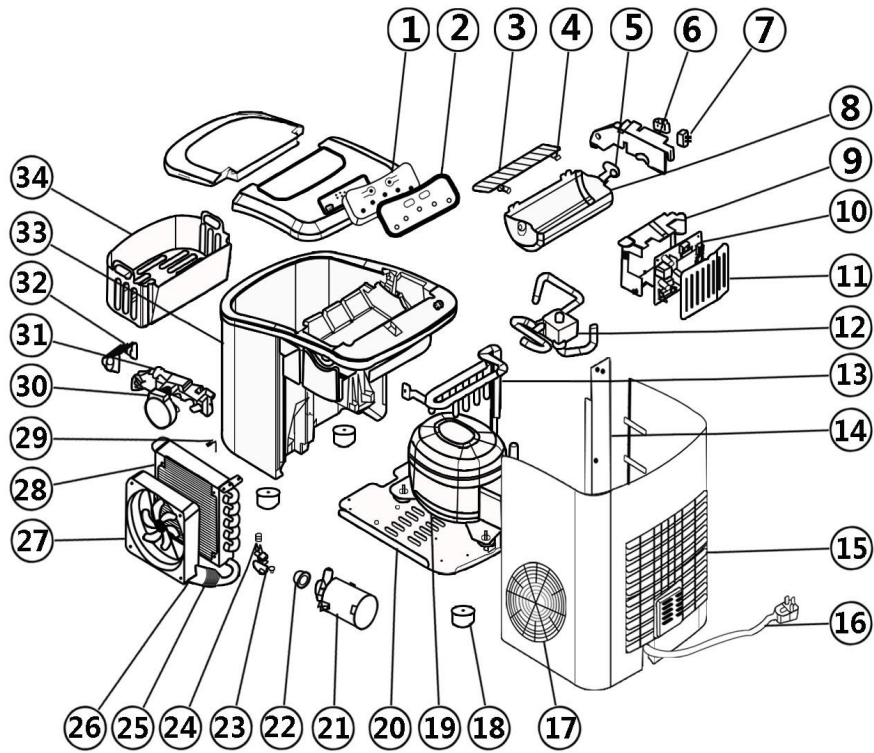
## TECHNICAL PARAMETERS & CIRCUIT DIAGRAM



Model	GSN-Z1	GSN-Z6
Safety Grade	I	
Voltage	115V /60Hz	
Rated Current	1.8A	
Rated power	112W	
Refrigerant	R600a/0.0571lb	
Vesicant	cyclopentane	
Net Weight	17.2 lb	15.9 lb
Shell Material	Plastic	
Size	14.1*9.5*12.9(in)	12.2*9*12.8(in)



**EXPLOSIVE DRAWINGS**



- |                          |                         |
|--------------------------|-------------------------|
| 1.Touch pad              | 2. Displaying PCB       |
| 3.Ice scoop              | 4.Ice scoop link        |
| 5.Cam                    | 6.Inner tank bracket,LH |
| 7.Micro switch           | 8.Ice making box        |
| 9.Control box            | 10.Main PCB             |
| 11.Control box cover     | 12.Magnetism valve      |
| 13.Evaporator            | 14.Plate inforce        |
| 15.Back panel            | 16.Power cord           |
| 17.Air grille            | 18.Rubber foot          |
| 19.Compressor            | 20.Plate bottom         |
| 21.DC water pump         | 22.Silicon sealing pump |
| 23.Nylon plug drain      | 24.Silicon plug drain   |
| 25.Copper tube filter    | 26.Filter dryer         |
| 27.DC fan motor          | 28.Condenser            |
| 29.Stainless wire        | 30.Sychronuous motor    |
| 31.Inner tank brackct,RH | 32.Water filter         |
| 33.Foaming asm           | 34.Ice basket           |