

**Absorption Refrigerator**

# **Instruction Manual**

**Please read this instruction manual carefully  
before operating the unit.**

## INTRODUCTION

Thank you for purchasing our absorption refrigerator. This unit is designed to improve your living and entertaining comfort. The absorption system refrigerator is a compact, totally silent refrigerator that uses no compressors or fans. Originally developed for commercial use or similar use. With its silent operation and attractive design, you will enjoy the convenience and comfort for years to come.

Please read these instructions carefully before operating this appliance. When using this appliance, always exercise basic safety precautions.

This easy-to-use manual will guide you to getting the best use of your absorption refrigerator.

This appliance is intended to be used in household and similar applications such as

- staff kitchen areas in shops, offices and other working environments;
- farm houses and by clients in hotels, motels and other residential type environments;
- bed and breakfast type environments;
- catering and similar non-retail applications.

## REFERENCE INFORMATION

Please complete the following information for future reference. You will need it to obtain warranty service.

Model Name\*: \_\_\_\_\_

Serial Number \*: \_\_\_\_\_

Date of Purchase: \_\_\_\_\_

Place of Purchase: \_\_\_\_\_

\*The above information is written on the back of the unit. Retain this Owner's Manual with your sales receipt as a permanent record of your purchase.

## TABLE OF CONTENTS

	<b>PAGE</b>
Introduction .....	2
Reference Information .....	2
Important Safety Precautions.....	3
Installation .....	4
Product Parts and Features .....	5
How to Operate.....	5
Absorption refrigerator Care and Cleaning .....	6
Limited Warranty .....	6
Environmental Protection.....	6
Reversing The Door (Option).....	7
Circuit Diagram .....	7
Slider installation instruction.....	8
Technical parameters.....	9

## IMPORTANT SAFETY PRECAUTIONS



**Before** you use your absorption refrigerator, please read this instruction manual carefully.

Use this appliance only for its commercial purpose as described in this owner's manual.

This absorption refrigerator must be properly installed in accordance with the installation instructions before it is used. Never unplug your absorption refrigerator by pulling on the power cord. Always grasp the plug firmly and pull straight out from the wall outlet.

- 1) Repair or replace immediately, all electric service cords that have become frayed or otherwise damaged. Do not use a cord that shows cracks or abrasion damage along its length, the plug or the connector end.
- 2) When positioning the appliance, ensure the supply cord is not trapped or damaged.
- 3) Unplug your absorption refrigerator before cleaning or before making any repairs.

NOTE: If for any reason this product requires service, we strongly recommend that a certified technician perform the service.

- 4) Do not operate your absorption refrigerator in the presence of explosive fumes.
- 5) Do not locate multiple portable socket-outlets or portable power supplies at the rear of the appliance.
- 6) The power supply must be properly grounded.
- 7) Do not use an adapter plug or extension cord.
- 8) Do not use the unit in the immediate surroundings of a bath, shower or swimming pool.
- 9) Do not store explosive substances such as aerosol cans with a flammable propellant in this appliance.
- 10) Before discarding or storing, we recommend that you remove the door and leave the shelves in place. This will reduce the possibility of danger to children.
- 11) This appliance can be used by children aged from 8 years and above and persons with reduced physical, sensory or mental capabilities or lack of experience and knowledge if they have been given supervision or instruction concerning use of the appliance in a safe way and understand the hazards involved. Children shall not play with the appliance. Cleaning and user maintenance shall not be made by children without supervision
- 12) Children aged from 3 to 8 years are allowed to load and unload refrigerating appliances.
- 13) Opening the door for long periods can cause a significant increase of the temperature in the compartments of the appliance.
- 14) Do not store food in absorption refrigerator as the interior temperature may not be cool enough to prevent spoilage.
- 15) Opening the door for long periods can cause a significant increase of the temperature in the compartments of the appliance.
- 16) If the power supply is damaged, it must be replaced by the manufacturer, its service agent or similar qualified persons in order to avoid a hazard.
- 17) Do not try to fix the lamp and open the back guard, refer to agent or manufacture for help.
- 18) Maximum loading of each shelf in storage compartment is 5 kg.
- 19) Maximum loading of door balcony is 3 kg.
- 20) Sound pressure level at workstation is far below 70dB.
- 21) AVOID CONTACT WITH STRONG OXIDIZING AGENTS.

### **To avoid contamination of food, please respect the following instructions:**

- Store raw meat and fish in suitable containers in the refrigerator, so that it is not in contact with or drip onto other food.
- If the refrigerating appliance is left empty for long periods, switch off, defrost, clean, dry, and leave the door open to prevent mould developing within the appliance.

## WARNINGS!



- keep clear of obstruction all ventilation openings in the appliance enclosure or in the structure for building-in
- Do not use mechanical devices or other means to accelerate the defrosting process, other than those recommended by the manufacturer.
- Do not use any heat sources, such as candles or heaters, to speed up defrosting.
- Do not damage the refrigerant circuit.
- Do not use electrical appliances inside the food storage compartments of the appliance, unless they are of the type recommended by the manufacturer.

## INSTALLATION



**WARNING!** To avoid a hazard due to instability of the appliance, it must be installed according to the instructions.

It is advisable to clean the inside of the absorption refrigerator with lukewarm water using a mild detergent, and then to dry it thoroughly prior to use.

The temperature in the appliance will depend on:

The temperature in the room

The frequency and duration of periods when the door is open.

How many items are in the fridge

It may therefore be necessary to adjust the thermostat from time to time.

**The refrigeration system of the cabinet is designed to operate with the cabinet located on a flat surface. Avoid tilting the cabinet side.**

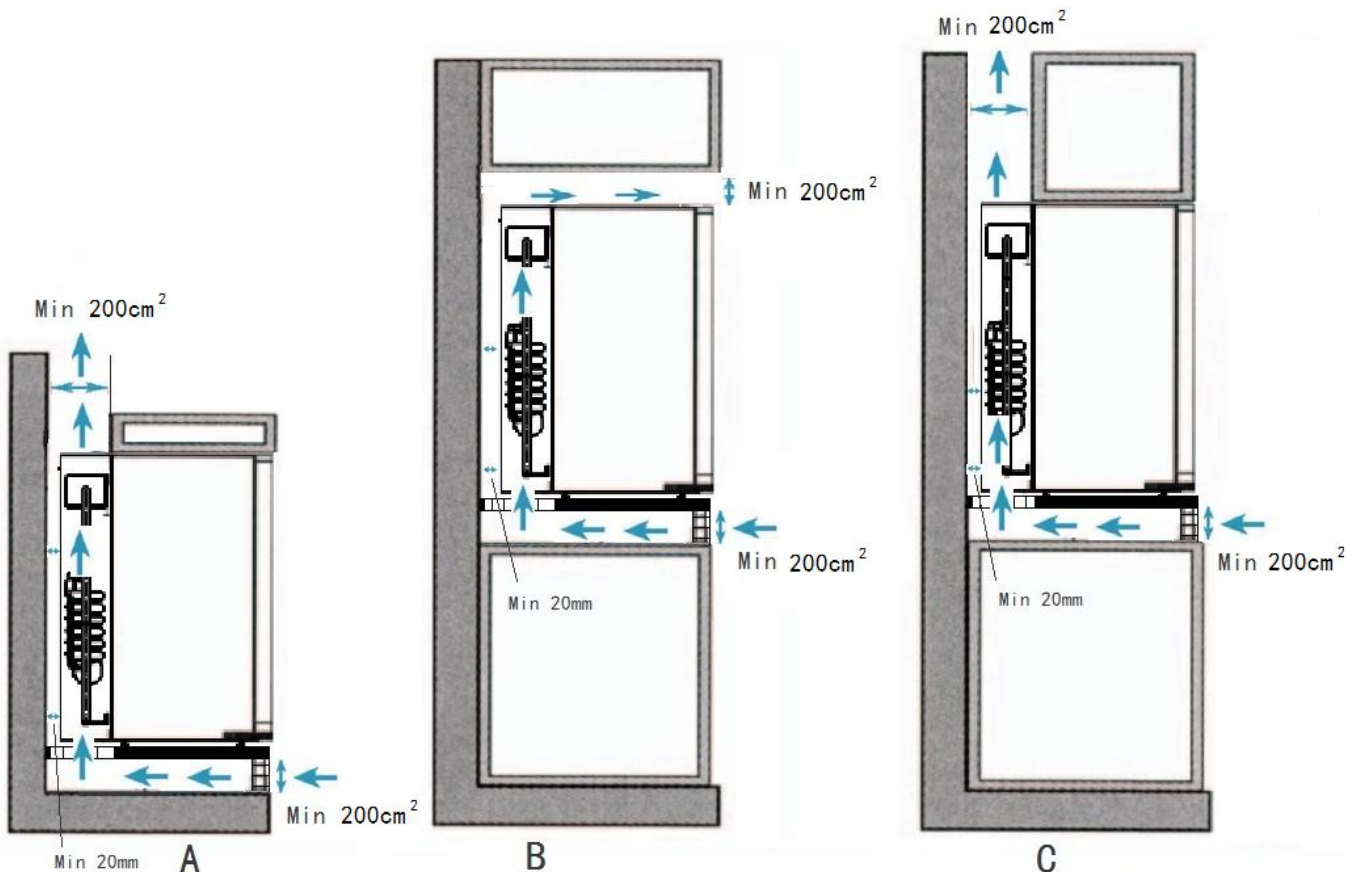
If the cabinet must be tilted on an angle for handling or moving purposes, allow it to sit in an upright position 20 to 30 minutes prior to plugging it in and starting the cooling of the storage compartment.

Grounding plug and socket should be provided in accordance with local regulations. The cable-size should meet the refrigerator's requirements. The unit must be connected to proper electrical network, which is shown on the nameplate, through an omnipolar circuit-breaker. To assure the proper function of the refrigerator, please observe the following recommended.

Locate the unit away from direct sunlight. This will enable you to obtain the best performance and save energy. Under no circumstances should the top grid be covered by any object. It will preclude the warm air from circulating.

1. Minibar must stand on a level surface.
2. There should be 20mm clearance to the rear wall. No clearance is required for the minibar top, side and bottom.
3. Air must be freely circulated through the cooling system.
4. Air must not be preheated by any source of heat.
5. In case that grills are added to the air in or out, opening of 200cm<sup>2</sup> minimum must be assured.
6. A chimney effect is created in the back. Cold air enters the furniture at the base, passes through the cooling system, and warm air rises and escapes.

Installation Figure



## PRODUCT PARTS AND FEATURES



## HOW TO OPERATE ABSORPTION REFRIGERATOR

1. Insert power plug into wall outlet
2. To adjust the temperature turn thermostat knob inside the cabinet.

### The lighting

The lighting of this refrigerator uses LED, which is with high brightness, no heat emission and long service life, and the light switch is controlled by the door, which means the inside light will start illuminating automatically when the door is opened.

If the illuminating lamps are damaged, it must be replaced by the manufacturer, its service agent or similarly qualified persons in order to avoid a hazard.

### Automatic Defrosting

For models suffix "E" are with automatic defrosting system. For other models which are with manual defrosting system, you just turn the thermostat knob to zero position until the accumulated frost melts, then return to normal position.

### Temperature Control



- 1: For solid door minibar ,the inner temperature ranges from 2°C to 8°C. You can turn the thermostat knob to have your desired temperature. Turn the knob clockwise rotation, which the position varies from 1 to 6, you can get a lower temperature inside. Setting 1 is the highest temperature and the setting 6 is the lowest temperature;The minibar will off at the thermostat setting 0.
- 2: For glass door minibar ,the inner temperature ranges from 4°C to 12°C. You can turn the thermostat knob to have your desired temperature. Turn the knob clockwise rotation, which the position varies from 1 to 6, you can get a lower temperature inside. Setting 1 is the highest temperature and the setting 6 is the lowest temperature;The minibar will off at the thermostat setting 0.



- 1: Temperature inside of the cabinet is 2°C to 12°C 。 Temperature can be changed by adjusting thermostat knob. Rotate thermostat clockwise can make temperature lower. When rotating thermostat knob anticlockwise to "OFF" position , refrigerator is off working.
- 2: Temperature of solid door cabinet is 3-12°C .

## ABSORPTION REFRIGERATOR CARE AND CLEANING



Warning: To avoid electric shock always unplug your absorption refrigerator before cleaning. Ignoring this warning may result in injury.

General: Do not use harsh chemicals, abrasives, ammonia, chlorine bleach, concentrated detergents, solvents or metal scouring pads. Some of these chemicals may dissolve, damage and/or discolor your absorption refrigerator.

- 1) Remove the contents of the appliance
- 2) Wipe the inside and outside surfaces with a damp cloth. The addition of vinegar to the water is good for the prevention of mold and fungus.
- 3) Wipe all parts thoroughly after the cleaning.

### IMPORTANT:

When the absorption refrigerator is not in use it must be completely dry inside to avoid mold growth (if possible have the door open).

## LIMITED WARRANTY

As a condition to any warranty service obligation, the consumer must present this Warranty Certificate along with a copy of the original purchase invoice.

### THIS WARRANTY DOES NOT COVER:

- 1) Damage, accidental or otherwise, to the absorption refrigerator while in the possession of a consumer not caused by a defect in material or workmanship.
- 2) Damage caused by consumer misuse, tampering, or failure to follow the care and special handling provisions in the instructions.
- 3) Damage to the finish of the case, or other appearance parts caused by wear
- 4) Damage caused by repairs or alterations of the absorption refrigerator by anyone other than those authorized by the manufacturer.
- 5) Freight and Insurance cost for the warranty service

ALL WARRANTIES, INCLUDING ANY IMPLIED WARRANTY OF MERCHANTABILITY ARE LIMITED TO CLAIMED DURATION. THE MANUFACTURER DISCLAIMS ANY LIABILITY FOR CONSEQUENTIAL OR INCIDENTAL DAMAGES.

## ENVIRONMENTAL PROTECTION



### Environmental Protection

Discarded electric appliances are recyclable and should not be discarded in the domestic waste! Please actively support us in conserving resources and protecting the environment by returning this appliance to the collection centres (if available).

## REVERSING THE DOOR (OPTION)



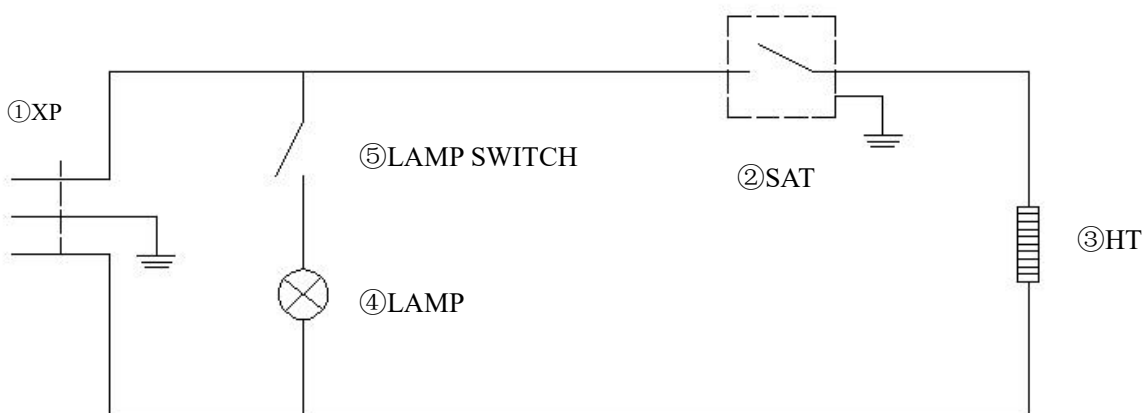
How to reverse the door

- Remove the lower hinge by loosening and removing the screws with screwdriver.
- Carefully lower the door and remove it.
- Remove the two screws from the left top hinge position, take the metal part off the hinge position.
- Remove the two screws from the right top hinge and take off the hinge, insert the metal part, rivet the two screws thereafter.
- Take off the lower hinge and fix it to the opposite side.
- Take the door. Insert the lower hinge axle into the right bottom hole of the door.
- Fix the spare hinge to the left top position of the cabinet. Adjust the door, make it straight and in alignment with the cabinet.

Note: As the door gasket gets pressed-in during shipment, after reversing the door the gasket might have to be reset. This will be good for seal to avoid any air escaping. If there is a gap between the cabinet and the door gasket, set the gasket by gently pulling it out to seal the gap. If necessary, you are recommended also to use the hair drier to warm the gasket to get rid of the gap.

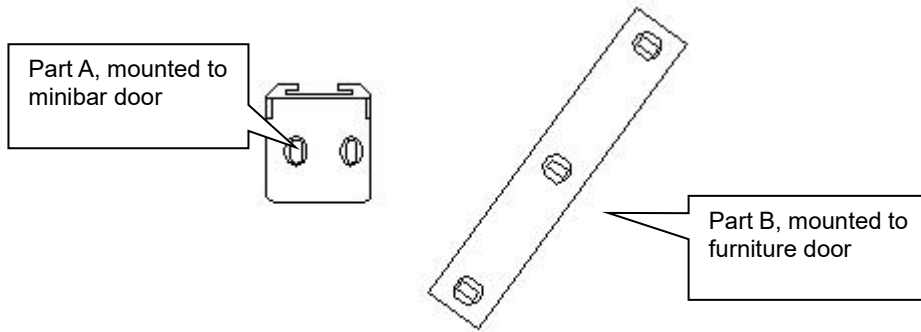
## CIRCUIT DIAGRAM

For unit with manual defrosting

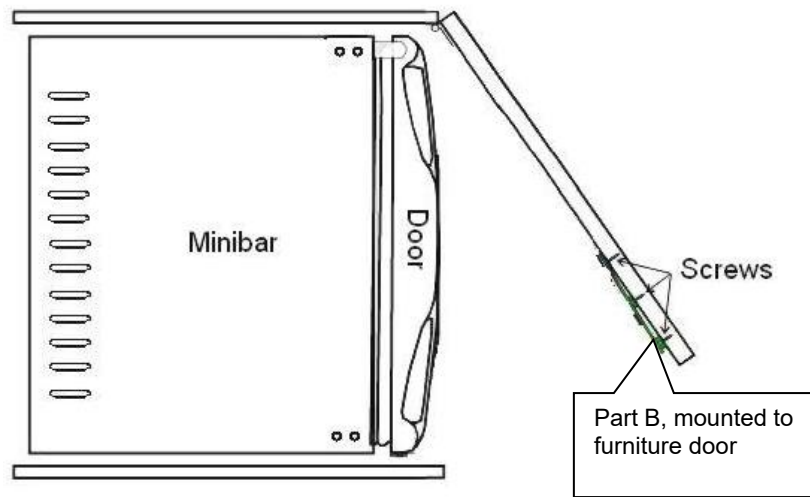


- |      |                     |       |              |              |
|------|---------------------|-------|--------------|--------------|
| ①XP  | Power Supply        | ③HT   | Heating Tube | ⑤LAMP SWITCH |
| ②SAT | Temperature Control | ④LAMP |              |              |

# Slider installation instruction



**Step 1:** Fix Part B onto furniture door with screws. Make sure the thicker end is be in the outside.



**Step2:** Fix Part A onto the minibar door with two screws. Make sure Part A slides well along Part B.

