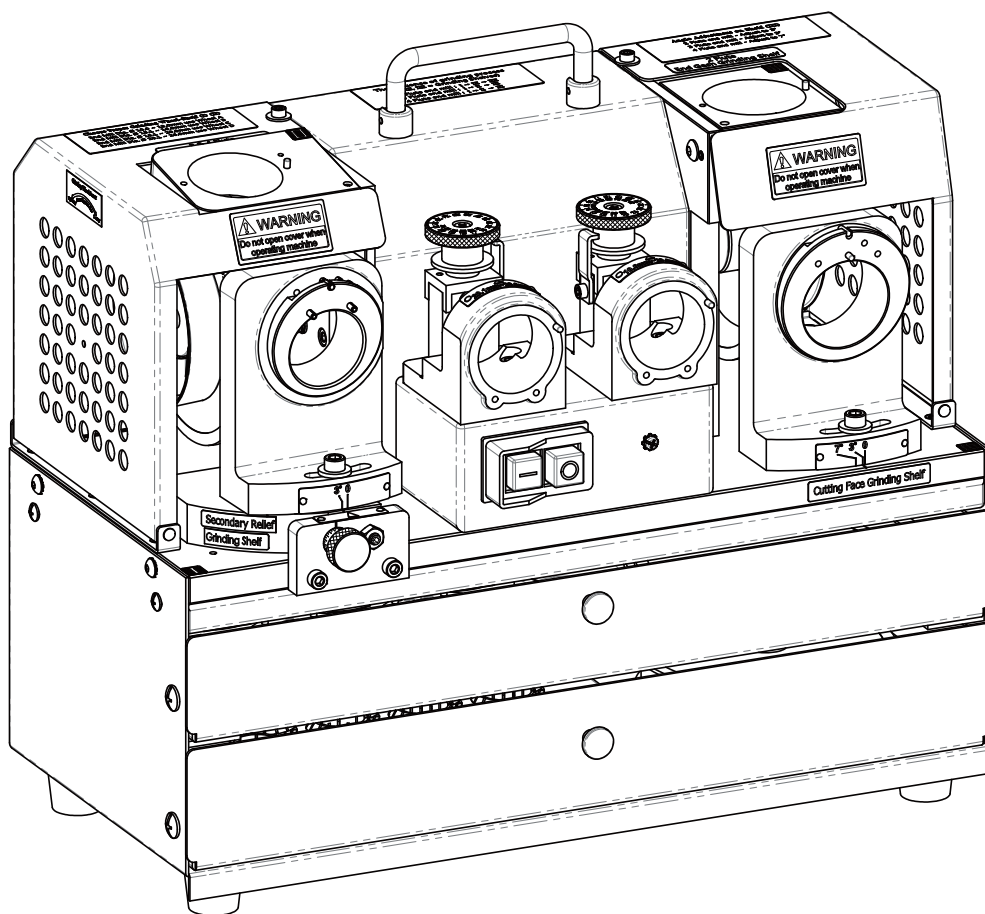


# *End Mill Grinder*

## *Operation Manual*



*Model : GS-26*



## RECYCLING



Do not dispose of electrical appliances as unsorted municipal waste, use separate collection facilities.

Contact your local government for information regarding the collection systems available.

If electrical appliances are disposed of in landfills or dumps, hazardous substances can leak into the groundwater and get into the food chain, damaging your health and well-being.

When replacing old appliances with new ones, the retailer is legally obligated to take back your old appliance for disposal at least for free of charge.

Ground, cord-connected tools intended for use on a supply circuit having a nominal rating less than 150 volts:

### **Warning:**

When using electric tools basic safety precautions should always be followed to reduce the risk of fire, electric shock and personal injury including the following.

Read all these instructions before attempting to operate this product and save these instructions.

1. Keep work area clear
  - Cluttered areas and benches invite injuries.
2. Consider work area environment
  - Do not expose tools to rain.
  - Do not use tools in damp or wet locations.
  - Keep work area well lit.
  - Do not use tools in the presence of flammable liquids or gases.
3. Guard against electric shock
  - Avoid body contact with earthed or grounded surfaces (e.g. pipes; radiators, ranges, refrigerators)
4. Keep other persons away
  - Do not let persons, especially children, not involved in the work touch the tool or the extension cord and keep them away from the work area.
5. Store idle tools
  - When not in use, tools should be stored in a dry locked-up place, out of reach of children.
6. Do not force the tool
  - It will do the job better and safer at the rate for which it was intended.
7. Use the right tool
  - Do not force small tools to do the job of a heavy duty tool.
  - Do not use tools for purposes not intended; for example do not use circular saws to cut tree limbs or logs.
8. Dress properly
  - Do not wear loose clothing or jewellery, they can be caught in moving parts.
  - Non-skid footwear is recommended when working outdoors.
  - Wear protective hair covering to contain long hair.

9. Use protective equipment
  - Use safety glasses.
  - Use face or dust mask if working operations create dust.
10. Connect dust extraction equipment
  - If the tool is provided for the connection of dust extraction and collecting equipment, ensure these are connected and properly used.
11. Do not abuse the cord
  - Never yank the cord to disconnect it from the socket. Keep the cord away from heat, oil sharp edges.
12. Secure work
  - Where possible use clamps or a vice to hold the work. It is safer than using your hand.
13. Do not overreach
  - Keep proper footing and balance at all times.
14. Maintain Tools with care.
  - Keep cutting tools sharp and clean for better and safer performance.
  - Follow instruction for lubricating and changing accessories.
  - Inspect tools cords periodically and if damaged have them repaired by and authorized service facility.
  - Inspect extension cords periodically and replace if damaged.
  - Keep handles dry, clean and free from oil and grease.
15. Disconnect tools
  - When not in use, before servicing and when changing accessories such as blades, bits and cutters, disconnect tools from the power supply.
16. Remove adjusting keys and wrenches
  - Form the habit of checking to see that keys and adjusting wrenches are removed from the tool before turning it on.
17. Avoid unintentional starting
  - Ensure switch is in "off" position when plugging in.
18. Use outdoor extension leads
  - When the tool is used outdoors, use only extension cords intended for outdoor use and so marked.



## Warning:

1. KEEP GUARDS IN PLACE and in working order.
2. REMOVE ADJUSTING KEYS AND WRENCHES. Form habit of checking to see that keys and adjusting wrenches are removed from tool before turning it on.
3. KEEP WORK AREA CLEAN. Cluttered areas and benches invite accidents.
4. DON'T USE IN DANGEROUS ENVIRONMENT. Don't use power tools in damp or wet locations, or expose them to rain. Keep work area well lighted.
5. KEEP CHILDREN AWAY. All visitors should be kept safe distance from work area.
6. MAKE WORKSHOP KID PROOF with padlocks, master switches, or by removing starter keys.
7. DON'T FORCE TOOL. It will do the job better and safer at the rate for which it was designed.
8. USE RIGHT TOOL. Don't force tool or attachment to do a job for which it was not designed.
9. USE PROPER EXTENSION CORD. Make sure your extension cord is in good.
10. WEAR PROPER APPAREL. Do not wear loose clothing, gloves, neckties, rings, bracelets, or other jewelry which may get caught in moving parts, Nonslip footwear is recommended. Wear protective hair covering to contain long hair.  
Exception: The reference to gloves may be omitted from the instructions for a grinder.
11. ALWAYS USE SAFETY GLASSES. Also use face or dust mask if cutting operation is dusty. Everyday eyeglasses only have impact resistant lenses, they are NOT safety glasses.
12. SECURE WORK. Use clamps or a vise to hold work when practical. It's safer than using your hand and it frees both hands to operate tool.
13. DON'T OVERREACH. Keep proper footing and balance at all times.
14. MAINTAIN TOOLS WITH CARE. Keep tools sharp and clean for best and safest performance. Follow Instructions for lubricating and changing accessories.
15. DISCONNECT TOOLS before servicing; when changing accessories, such as blades, bits, cutters, and the like.
16. REDUCE THE RISK OF UNINTENTIONAL STARTING. Make sure switch is in off position before plugging in.
17. USE RECOMMENDED ACCESSORIES. Consult the owner's manual for recommended accessories. The use of improper accessories may cause risk of injury to persons.

18. NEVER STAND ON TOOL. Serious injury could occur if the tool is tipped or if the cutting tool is unintentionally contacted.
19. CHECK DAMAGED PARTS. Before further use of the tool, a guard or other part that is damaged should be carefully checked to determine that it will operate properly and perform its intended function - check for alignment of moving parts, binding of moving parts, breakage of parts, mounting, and any other conditions that may affect its operation. A guard or other part that is damaged should be properly repaired or replaced.
20. DIRECTION OF FEED. Feed work into a blade or cutter against the direction of rotation of the blade or cutter only.
21. NEVER LEAVE TOOL RUNNING UNATTENDED. TURN POWER OFF. Don't leave tool until it comes to a complete stop.

**IN DOOR USED!!!**

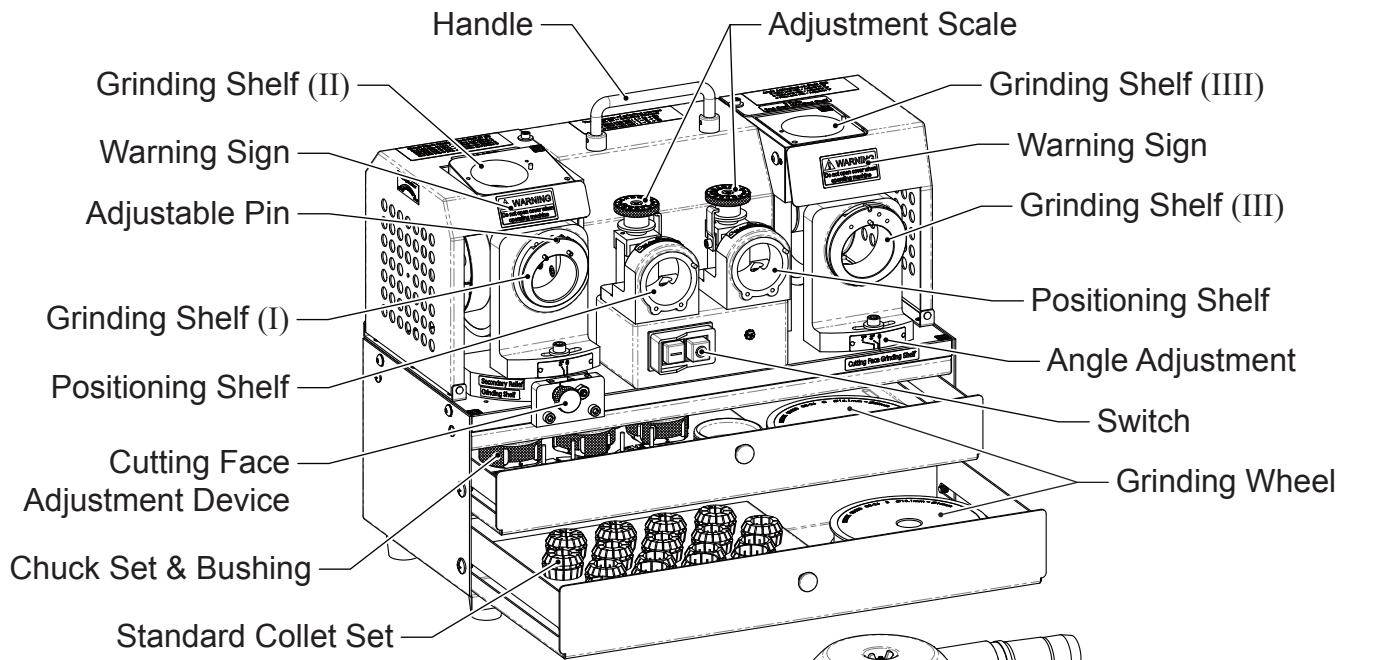
**WARNING:** DO NOT EXPOSE TO RAIN OR USE IN DAMP LOCATIONS.



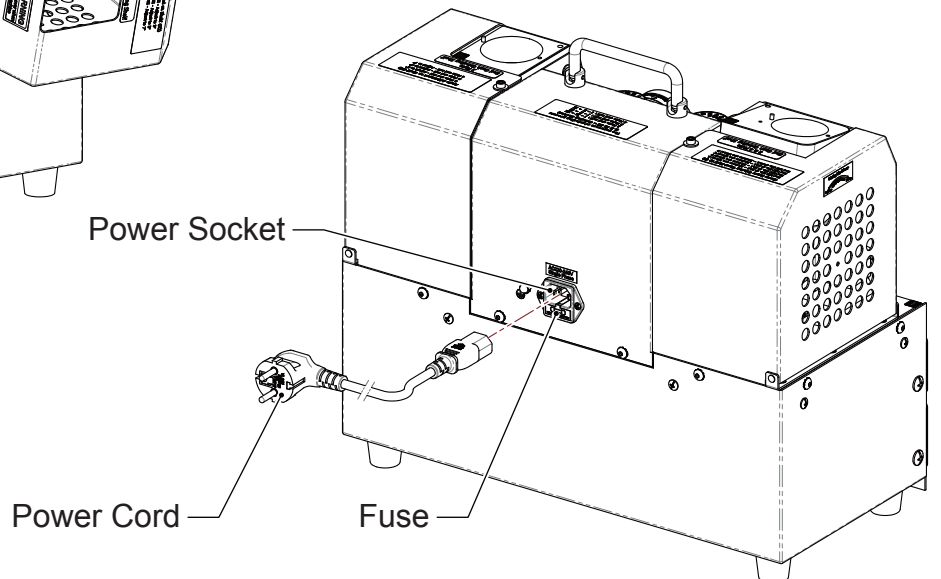
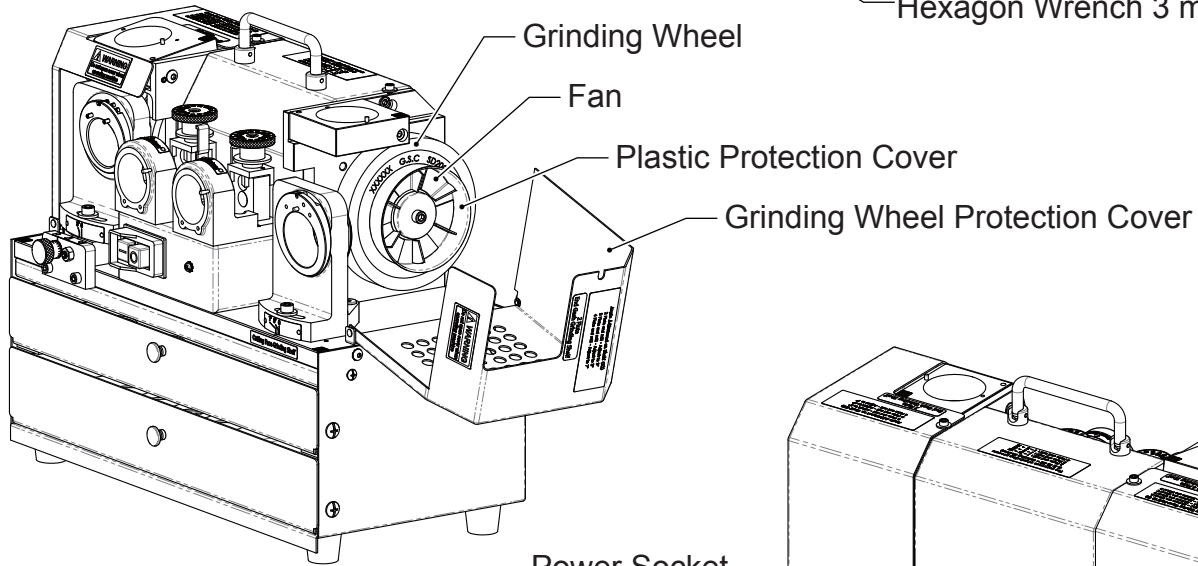
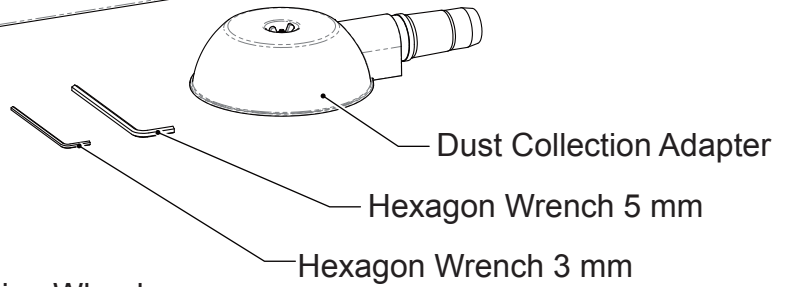
# Index

I.	Machine Devices Introduction.....	7
II.	Dust Collection Adapter Assembly Steps .....	8
III.	Machine Installation Instruction .....	9
IV.	Choose of Grinding Wheel & Accessories & Collet .....	9
V.	Chuck Set Assembly Steps .....	10
VI.	The use of the Positioning Shelf.....	11
VII.	2 Flute End Mill Grinding Preparations .....	12
VIII.	2 Flute End Mill Grinding Process .....	13
IX.	3 Flute End Mill Grinding Preparations .....	14
X.	3 Flute End Mill Grinding Process .....	15
XI.	4 Flute End Mill Grinding Preparations .....	16
XII.	4 Flute End Mill Grinding Process .....	17
XIII.	Cutting Face Adjustment .....	18
XIV.	The use of the Cutting Face Adjustment Device .....	18
XV.	Machine Maintenance and Clean.....	19

# I. Machine Devices Introduction



**For End Mill diameter:**  
 $\Phi 10.0 \text{ mm} - \Phi 26.0 \text{ mm}$



## II. Dust Collection Adapter Assembly Steps

1. Thread the hex nut onto the proper position of the threaded rod, align the end of the threaded rod containing the hex nut with the tapped hole of grinding wheel cover, and turn the threaded rod clockwise to thread the rod into the grinding wheel cover and tighten lightly. (Fig. 2-1)

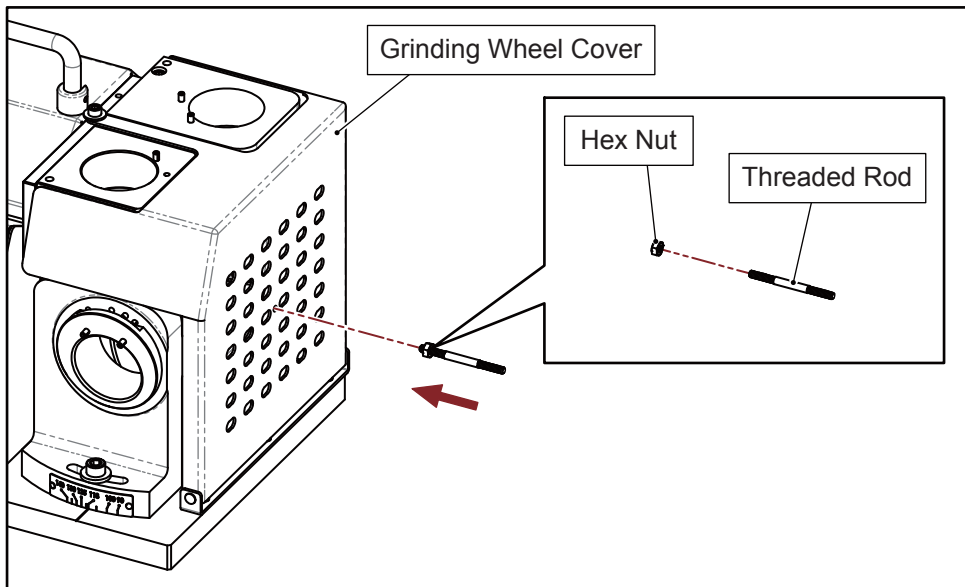


Fig. 2-1

2. Align the hole in the center of the dust collection adapter with threaded rod. Push the dust collection adapter to the end. (Fig. 2-2)
3. Assemble the washer and wing nut and tighten the wing nut to secure the dust collection adapter. (Fig. 2-3)

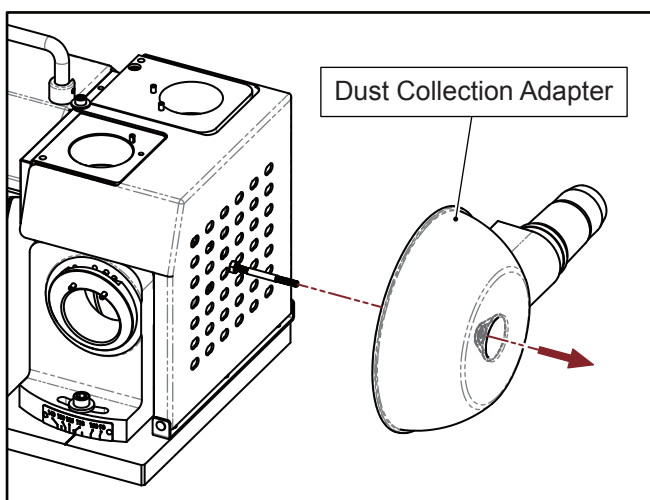


Fig. 2-2

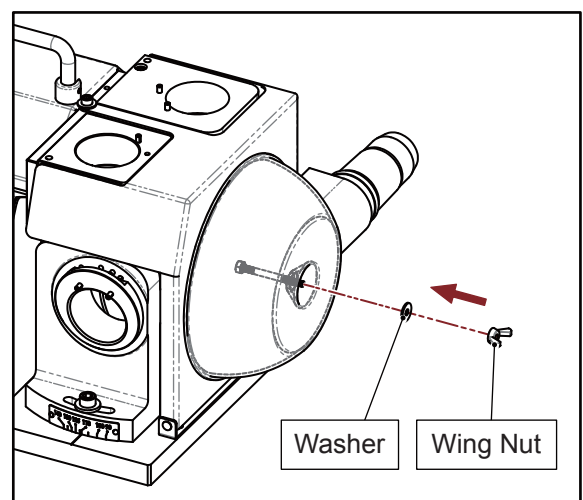


Fig. 2-3

### III. Machine Installation Instruction

#### 1. Environmental Condition

- Place the machine on a “flat” and “stable” working table.
- Operate the machine in dry environment and away from liquid.
- Make sure power plug and power cord are installed in proper location.

#### 2. Power Supply

Make sure the local power supply is matching with the voltage specification from the product label.

Please check the switch is in off position before plugging into socket outlet.

#### 3. Motor Direction Test

- ① Plug the power cord into socket outlet.
- ② Check the grinding wheel protection cover is fastened by the screw.
- ③ Quickly switch on and off the machine, then check if the rotating direction of grinding wheel is **counterclockwise**.
- ④ Switch on the machine again and check if any abnormal sound.

(The Machine is equipped with DC current carbon motor. A slightly grinding sound is considered as normal condition.)

### IV. Choose of Grinding Wheel & Accessories & Collet

#### 1. Please unplug the power cord before changing grinding wheel.

#### 2. Determine the material of the End mill and choose the proper grinding wheel.

- Carbide / Tungsten material End mill use SD grinding wheel (Standard).
- HSS material End mill use CBN grinding wheel (Optional).

#### 3. Determine the cutting face diameter of the End mill and choose proper grinding wheel.

##### ① For grinding Shelf (I) and Shelf (II), there are four different sizes of grinding wheel.

- Grinding Wheel A is for grinding the diameter from  $\Phi 10.0$  mm -  $\Phi 13.0$  mm.
- Grinding Wheel B is for grinding the diameter from  $\Phi 13.1$  mm -  $\Phi 16.0$  mm.
- Grinding Wheel C is for grinding the diameter from  $\Phi 16.1$  mm -  $\Phi 20.0$  mm.
- Grinding Wheel D is for grinding the diameter from  $\Phi 20.1$  mm -  $\Phi 26.0$  mm.

##### ② The standard grinding wheel for grinding Shelf (III) and Shelf (III) can be applied to the diameter from $\Phi 10.0$ mm - $\Phi 26.0$ mm.

#### 4. Determine the number of flute and choose the proper accessories (Bushing and Chuck).

#### 5. According to the diameter of the End mill and choose the proper collet.

## V. Chuck Set Assembly Steps

1. Make sure there are no dusts or scraps inside the collet and the collet holder.
2. Put collet into collet holder by 45° angle. (Fig. 5-1)

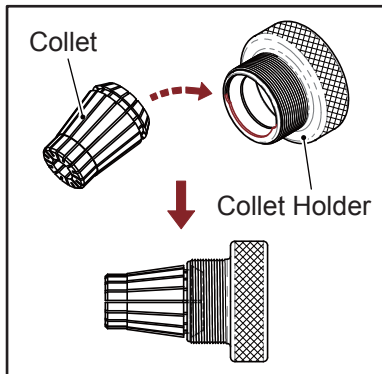


Fig. 5-1

3. Screw in a little bit by clamping nut (Fig. 5-2 Step ①), then insert the End mill shank into the clamping nut (Fig. 5-2 Step ②) until the End mill is out of the clamping nut about 20 mm. (Fig. 5-3)

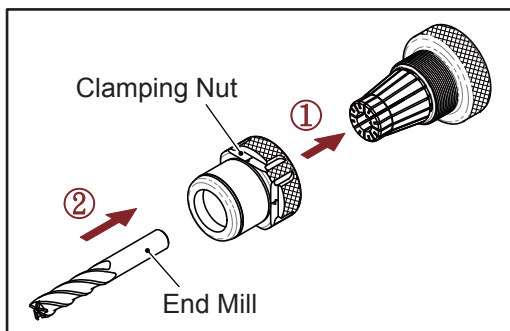


Fig. 5-2

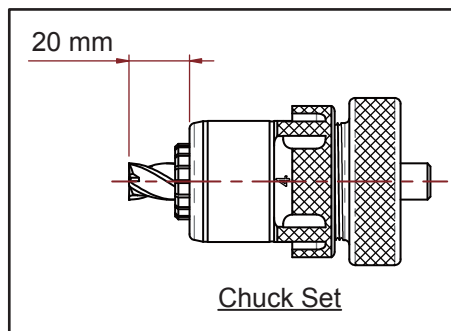


Fig. 5-3

※ Please do not fully tighten the chuck set, keep the End millis still able to be adjusted.

4. Turn the long flute of the End mill to be parallel with the Slot No.1 of the clamping nut. (Fig. 5-4)

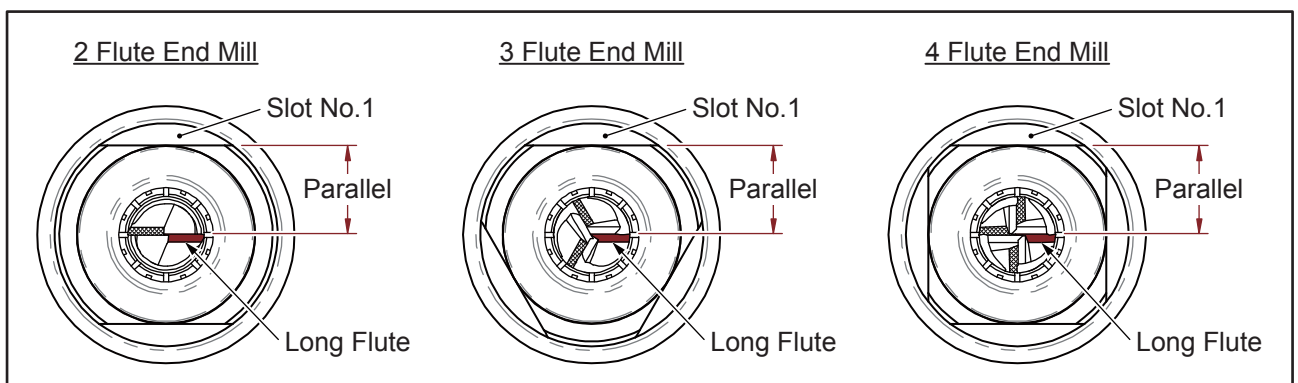


Fig. 5-4

## VI. The use of the Positioning Shelf

### 1. Preset the scale of the Positioning Shelf.

- Right Positioning Shelf:  $\Phi 10.0$  mm -  $\Phi 20.0$  mm (Fig. 6-1)

- ① Turn it by clockwise to the end.
- ② Turn it by counterclockwise at "10".

- Left Positioning Shelf:  $\Phi 20.1$  mm -  $\Phi 26.0$  mm (Fig. 6-2)

- ① Turn it by clockwise to the end.
- ② Turn it by counterclockwise at "20".

### 2. Determine the material of the End mill and adjust the proper scale.

- Adjustment for Carbide material End mill.  
Adjust the scale according to the diameter of the End mill.  
Eg: 20.0 mm End mill, set at 20.
- Adjustment for HSS material End mill.  
Need to decrease 1-3 scales according to the diameter of the End mill.  
Eg: 20.0 mm End mill, set at 17-19.

### 3. End mill Positioning (Fig. 6-3)

- ① Insert the Chuck set into the Positioning shelf, align Slot No.1 of the clamping nut with the pin on the Positioning shelf, then connect it closely without any interval and turn it clockwise to the end.
  - ② Push the End mill to the end and turn it clockwise until the long flute is blocked by the Position block.
  - ③ Turn the collet holder clockwise and tighten lightly the Chuck set.
  - ④ Rotate the Chuck set counterclockwise and take it out gently.
- ※ *Make sure the long flute must be parallel with Slot No.1 of the clamping nut (See page 10, Fig. 5-4), if it is not parallel, please operate again the entire positioning procedure.*

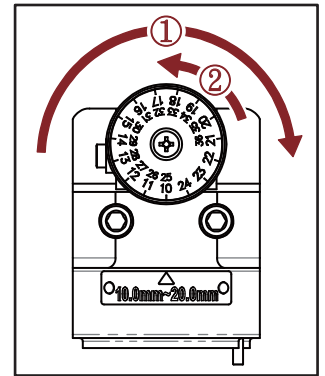


Fig. 6-1

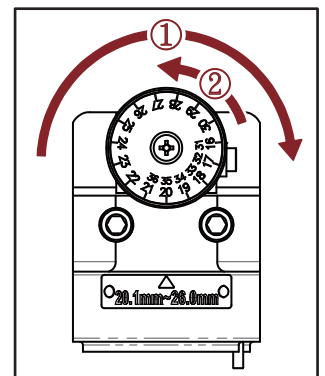


Fig. 6-2

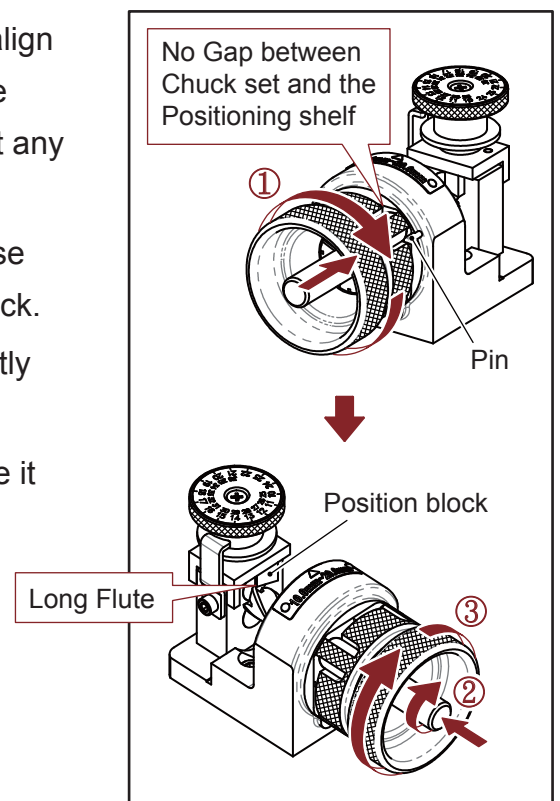


Fig. 6-3

## VII. 2 Flute End Mill Grinding Preparations

### 1. Secondary Relief Grinding Shelf (I) (Fig. 7-1)

- ① Adjust Shelf (I) to  $3^\circ$ .
- ② Move the adjustable pin on Shelf (I) from the bottom to top.
- ③ Adjust the Cutting face adjustment device to “0”, after finishing the whole sharpening procedure, then adjust this device according to your needs. (See chapter “XIV. The use of the Cutting Face Adjustment Device”)

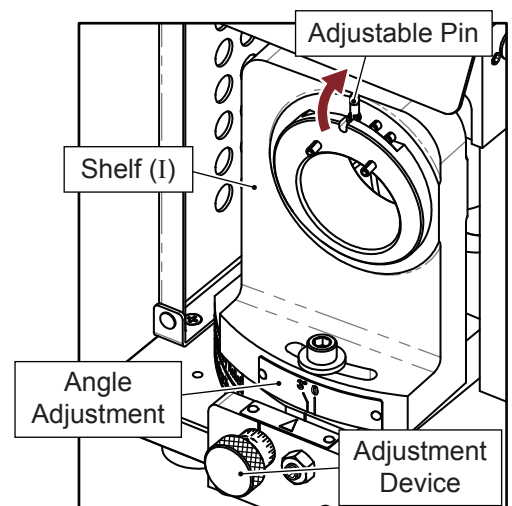


Fig. 7-1

### 2. Cutting Face Grinding Shelf (III) (Fig. 7-2)

- ① Adjust Shelf (III) to  $3^\circ$ .
- ② Insert 2&3 Flute Cutting Face Bushing to Shelf (III), align the ● Green mark of the Bushing with the ● Green mark on the shelf, then insert it to the end.

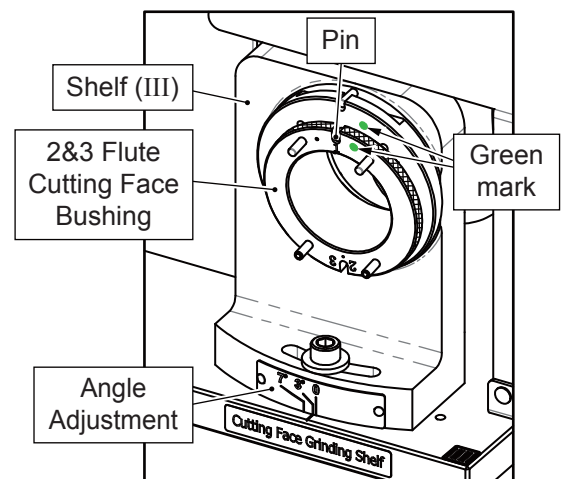


Fig. 7-2

### 3. End Gash Grinding Shelf (III) (Fig. 7-3)

Insert 2 Flute End Gash Bushing to Shelf (III), align No.1 of the Bushing with the pin on the shelf, then insert it to the end.

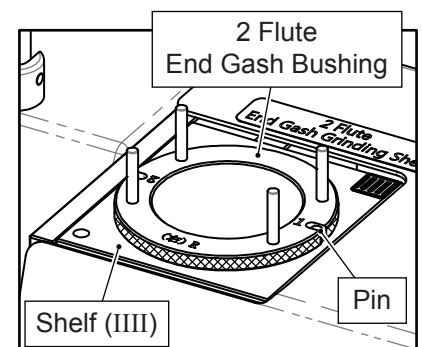


Fig. 7-3

## VIII. 2 Flute End Mill Grinding Process

### Grinding procedure: I, III, IIII

Turn the power switch on and wait about 10 seconds until the motor rotation is stable.

#### 1. 2 Flute Secondary Relief Grinding (I) (Fig. 8-1)

- ① Insert the Chuck set into Shelf (I), align Slot No.1 of the clamping nut with the two pins on the shelf, gently push the Chuck set and turn it clockwise and counterclockwise until the grinding noise stops.
- ② Take the Chuck set out, turn it to grind the Slot No.2 in the same way.

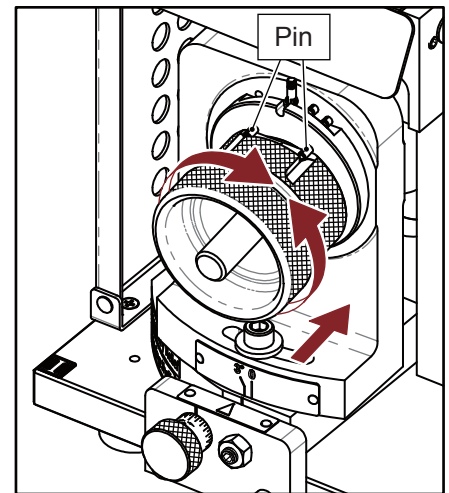


Fig. 8-1

#### 2. 2 Flute Cutting Face Grinding (III) (Fig. 8-2)

- ① Insert the Chuck set into the bushing on Shelf (III), align Slot No.1 with the two pins where marked as No.1, gently push the Chuck set until the grinding noise stops.
- ② Take the Chuck set out and turn the bushing to No.2·3, align No.2·3 of the bushing with the pin on the shelf, then insert it to the end.
- ③ Insert the Chuck set into the bushing, align Slot No.2 with the two pins where marked as No.2·3, gently push the Chuck set until the grinding noise stops.

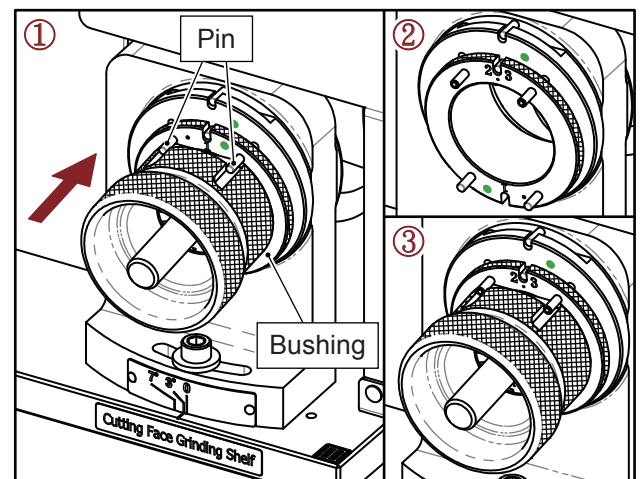


Fig. 8-2

#### 3. 2 Flute End Gash Grinding (IIII) (Fig. 8-3)

- ① Insert the Chuck set into the bushing on Shelf (IIII), align Slot No.1 with the two pins where marked as No.1, gently push the Chuck set until the grinding noise stops.
- ② Take the Chuck set out and turn the bushing to No.2, align No.2 with the pin on the shelf, then insert it to the end.
- ③ Insert the Chuck set into the bushing, align Slot No.2 with the two pins where marked as No.2, gently push the Chuck set until the grinding noise stops.

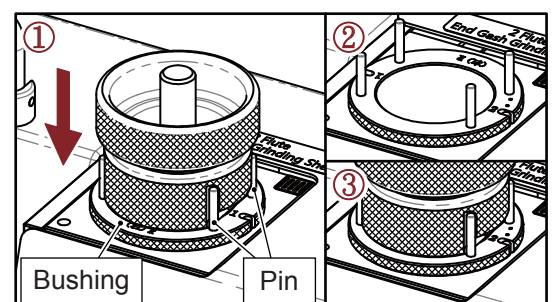


Fig. 8-3



## IX. 3 Flute End Mill Grinding Preparations

### 1. Secondary Relief Grinding Shelf (I) (Fig. 9-1)

- ① Adjust Shelf (I) to  $3^\circ$ .
- ② Move the adjustable pin on Shelf (I) from the bottom to top.
- ③ Adjust the Cutting face adjustment device to “0”, after finishing the whole sharpening procedure, then adjust this device according to your needs. (See chapter “XIV. The use of the Cutting Face Adjustment Device”)

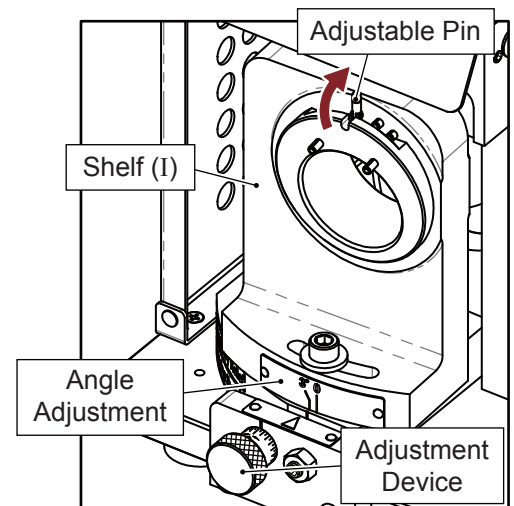


Fig. 9-1

### 2. End Gash Grinding Shelf (II) (Fig. 9-2)

Insert 3&4 Flute End Gash Bushing to Shelf (II), align the ● Pink mark of the Bushing with the ● Pink mark on the shelf, then insert it to the end.

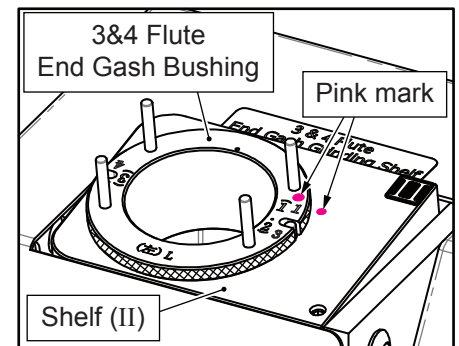


Fig. 9-2

### 3. Cutting Face Grinding Shelf (III) (Fig. 9-3)

- ① Adjust Shelf (III) to  $3^\circ$ .
- ② Insert 2&3 Flute Cutting Face Bushing to Shelf (III), align the ● Green mark of the Bushing with the ● Green mark on the shelf, then insert it to the end.

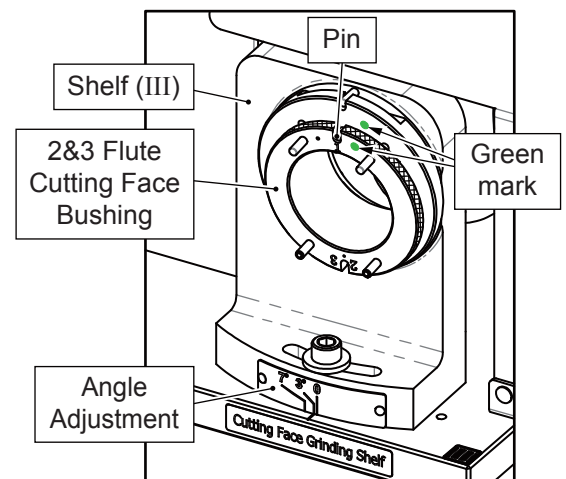


Fig. 9-3

## X. 3 Flute End Mill Grinding Process

### Grinding procedure: I, II, III

Turn the power switch on and wait about 10 seconds until the motor rotation is stable.

※ *Make sure each End mill flute is fully grinded before continuing for the grinding of the next flute.*

#### 1. 3 Flute Secondary Relief Grinding (I) (Fig. 10-1)

- ① Insert the Chuck set into Shelf (I), align Slot No.1 of the clamping nut with the two pins on the shelf, gently push the Chuck set and turn it clockwise and counterclockwise until the grinding noise stops.
- ② Take the Chuck set out, turn it to grind the Slot No.2 and Slot No.3 in the same way.

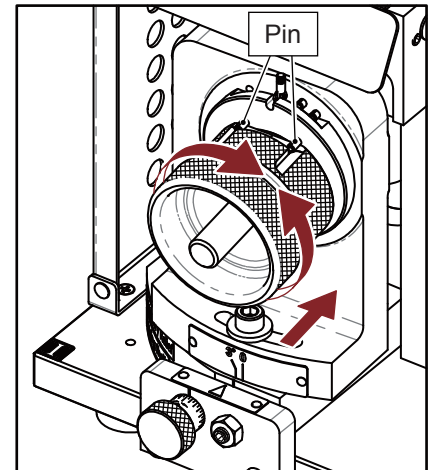


Fig. 10-1

#### 2. 3 Flute End Gash Grinding (II) (Fig. 10-2)

- ① Insert the Chuck set into the bushing on Shelf (II), align Slot No.1 with the two pins where marked as No.(1·2), gently push the Chuck set until the grinding noise stops.
- ② Take the Chuck set out and turn it to grind the Slot No.2 in the same way.
- ③ Take the Chuck set out and turn the bushing to No.(3), align No.(3) with the pin on the shelf, then insert it to the end.
- ④ Insert the Chuck set into the bushing, align Slot No.3 with the two pins where marked as No.(3), gently push the Chuck set until the grinding noise stops.

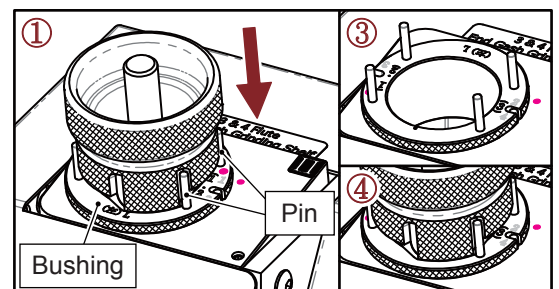


Fig. 10-2

#### 3. 3 Flute Cutting Face Grinding (III) (Fig. 10-3)

- ① Insert the Chuck set into the bushing on Shelf (III), align Slot No.1 with the two pins where marked as No.1, gently push the Chuck set until the grinding noise stops.
- ② Take the Chuck set out and turn the bushing to No.2·3, align No.2·3 with the pin on the shelf, then insert it to the end.
- ③ Insert the Chuck set into the bushing, align Slot No.2 with the two pins where marked as No.2·3, gently push the Chuck set until the grinding noise stops.
- ④ Take the Chuck set out and turn it to grind the Slot No.3 in the same way.

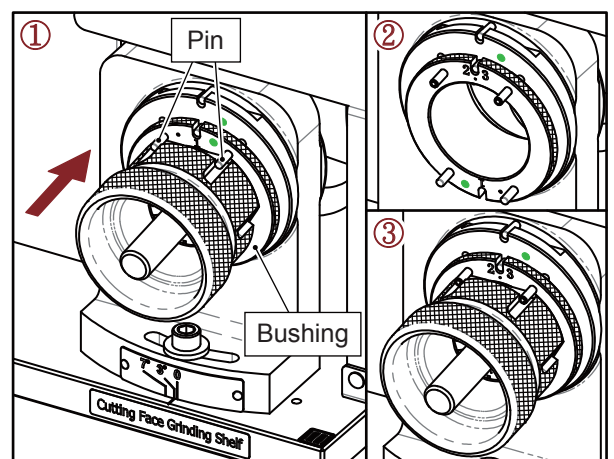


Fig. 10-3

## XI. 4 Flute End Mill Grinding Preparations

### 1. Secondary Relief Grinding Shelf (I) (Fig. 11-1)

- ① Adjust Shelf (I) to  $3^\circ$ .
- ② Move the adjustable pin on Shelf (I) from the top to bottom.
- ③ Adjust the Cutting face adjustment device to “0”, after finishing the whole sharpening procedure, then adjust this device according to your needs. (See chapter “XIV. The use of the Cutting Face Adjustment Device”)

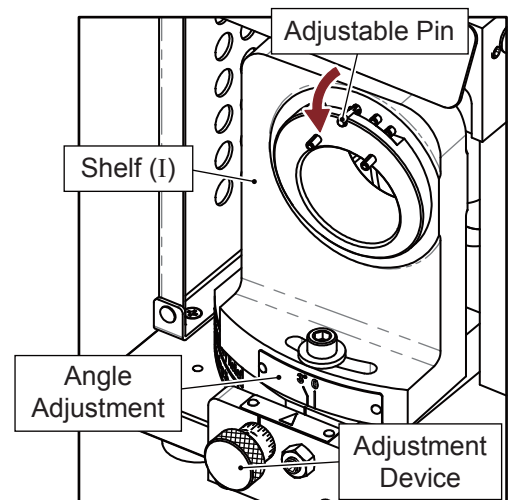


Fig. 11-1

### 2. End Gash Grinding Shelf (II) (Fig. 11-2)

Insert 3&4 Flute End Gash Bushing to Shelf (II), align the ● Pink mark of the Bushing with the ● Pink mark on the shelf, then insert it to the end.

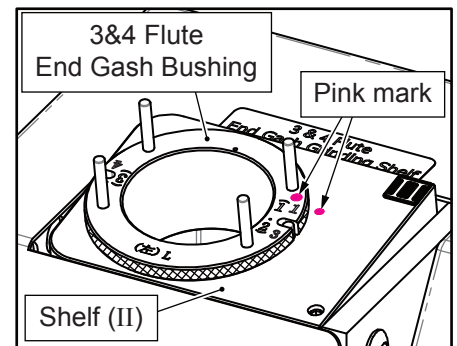


Fig. 11-2

### 3. Cutting Face Grinding Shelf (III) (Fig. 11-3)

- ① Adjust Shelf (III) to  $7^\circ$ .
- ② Insert 4 Flute Cutting Face Bushing to Shelf (III), align the ● Green mark of the Bushing with the ● Green mark on the shelf, then insert it to the end.

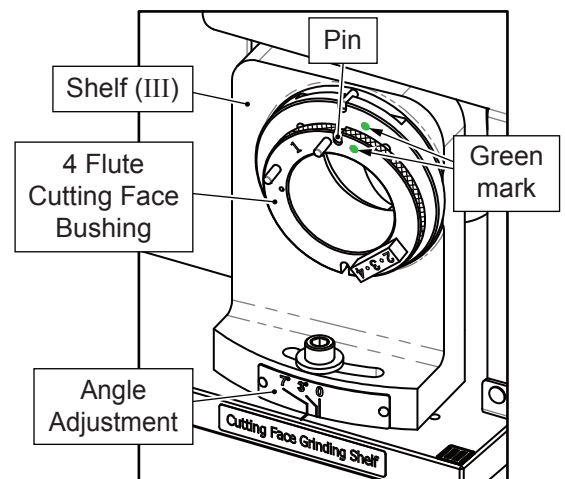


Fig. 11-3

## XII. 4 Flute End Mill Grinding Process

### Grinding procedure: I, II, III

Turn the power switch on and wait about 10 seconds until the motor rotation is stable.

※ *Make sure each End mill flute is fully grinded before continuing for the grinding of the next flute.*

#### 1. 4 Flute Secondary Relief Grinding (I) (Fig. 12-1)

- ① Insert the Chuck set into Shelf (I), align Slot No.1 of the clamping nut with the two pins on the shelf, gently push the Chuck set until the grinding noise stops.
- ② Take the Chuck set out, turn it to grind the Slot No.2, Slot No.3 and Slot No.4 in the same way.

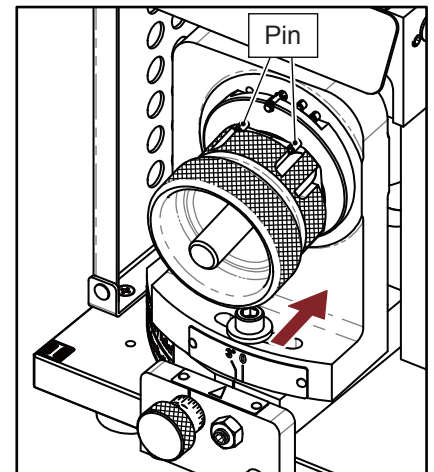


Fig. 12-1

#### 2. 4 Flute End Gash Grinding (II) (Fig. 12-2)

- ① Insert the Chuck set into the bushing on Shelf (II), align Slot No.1 with the two pins where marked as No.1·3, gently push the Chuck set until the grinding noise stops.
- ② Take the Chuck set out and turn it to grind the Slot No.3 in the same way.
- ③ Take the Chuck set out and turn the bushing to No.2·4, align No.2·4 with the pin on the shelf, then insert it to the end.
- ④ Insert the Chuck set into the bushing, align Slot No.2 with the two pins where marked as No.2·4, gently push the Chuck set until the grinding noise stops.
- ⑤ Take the Chuck set out and turn it to grind the Slot No.4 in the same way.

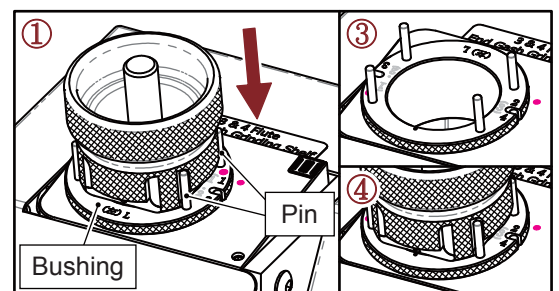


Fig. 12-2

#### 3. 4 Flute Cutting Face Grinding (III) (Fig. 12-3)

- ① Insert the Chuck set into the bushing on Shelf (III), align Slot No.1 with the two pins where marked as No.1, gently push the Chuck set until the grinding noise stops.
- ② Take the Chuck set out, turn the bushing to No.2·3·4, align No.2·3·4 with the pin on the shelf, then insert it to the end.
- ③ Insert the Chuck set into the bushing, align Slot No.2 with the flat key where marked as No.2·3·4, gently push the Chuck set until the grinding noise stops.
- ④ Take the Chuck set out and turn it to grind the Slot No.3 and Slot No.4 in the same way.

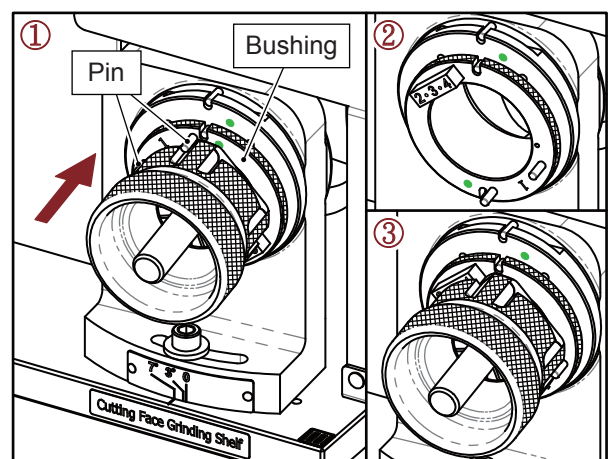


Fig. 12-3

### XIII. Cutting Face Adjustment

Parallel of the Cutting face is needed after the grinding procedure. (Fig. 13-1)

- If outer cutting face is bigger (Fig. 13-2)
  - ① Decrease scale of the Positioning Shelf and re-positioning.
  - ② Re-grinding the End mill.
- If outer cutting face is smaller (Fig. 13-3)
  - ① Increase scale of the Positioning Shelf and re-positioning.
  - ② Re-grinding the End mill.

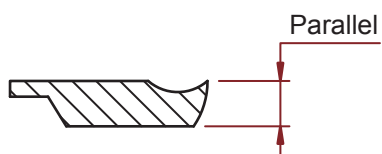


Fig. 13-1

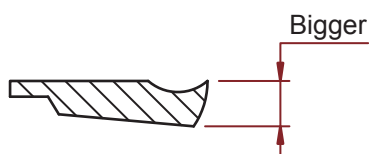


Fig. 13-2

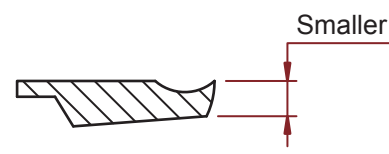


Fig. 13-3

### XIV. The use of the Cutting Face Adjustment Device

This device is to adjust the Shelf (I) location back and forward to adjust the width of the cutting face. (Fig. 14-1)

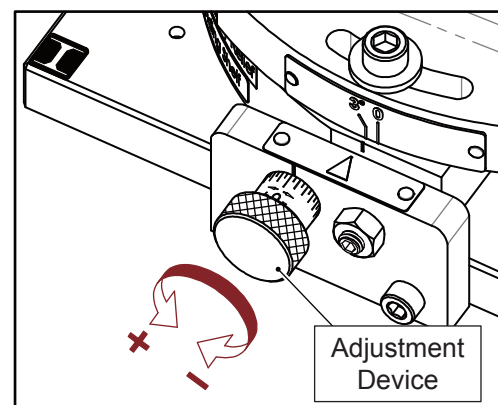
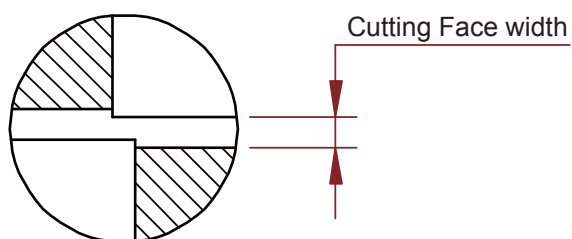


Fig. 14-1

1. Please turn it to “-” direction to the end then set to “0”.
2. Turn to “+” direction to decrease the cutting face width.  
Turn to “-” direction to increase the cutting face width.

## XV. Machine Maintenance and Clean

### 1. Replacement of Grinding Wheel

- ① Unplug the power cord and make sure the power is off.
- ② Confirm the screw direction on the grinding wheel cover before changing the grinding wheel. (Fig. 15-1)
- ③ Loosen the screw from the grinding wheel cover to open the cover. (Fig. 15-2)
- ④ Loosen the screw from the grinding wheel to take off the grinding wheel. (Fig. 15-3)
- ⑤ Use clean cloth to clean the flange and the contact surface of the grinding wheel.
- ⑥ Replace the new grinding wheel and fasten the screw. (Fig. 15-3)
  - ✘ *Tighten the wheel screw until the fan can't be moved separately, do not over tighten.*
  - ✘ *Do NOT exchange our grinding wheel with other grinding wheel from other supplier!*
- ⑦ Close the grinding wheel cover and secure with screw.

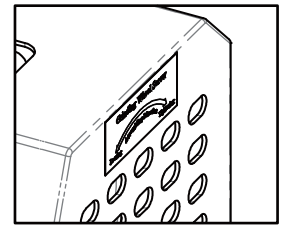


Fig. 15-1

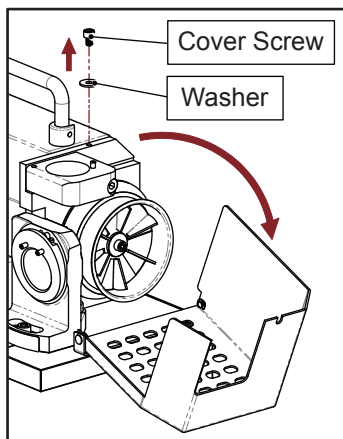


Fig. 15-2

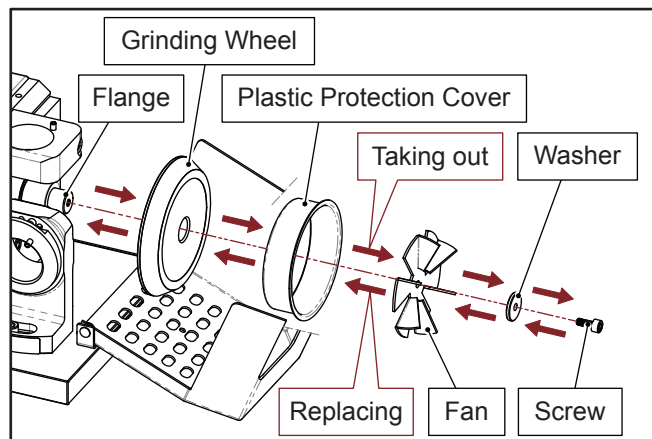


Fig. 15-3

### 2. Cleaning

- ① Unplug the power cord and make sure the power is off.
- ② Disassemble the chuck set after use.
- ③ Use the air press gun to clean the scraps and dust out of all grinding shelves and all the accessories. (Fig. 15-4) (Fig. 15-5)
  - ✘ *Please wear protection glass while using the air press gun.*
- ④ Use clean cloth to clean each contact port and all the accessories, then put them back in order. (Fig. 15-4) (Fig. 15-5)

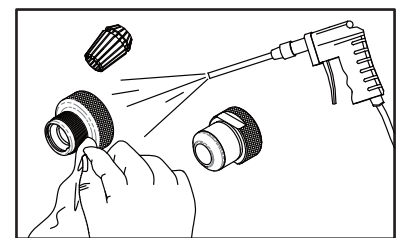


Fig. 15-4

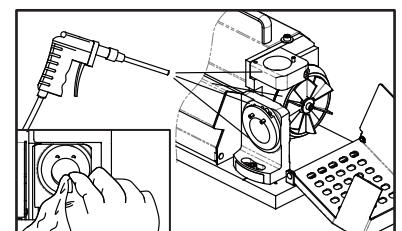


Fig. 15-5



